

Technical data sheet

Revision j
Revision 06/2023

ECOFIT

by

rosenberg
THE AIR MOVEMENT GROUP
VENDÔME

Model
C46-A3 p

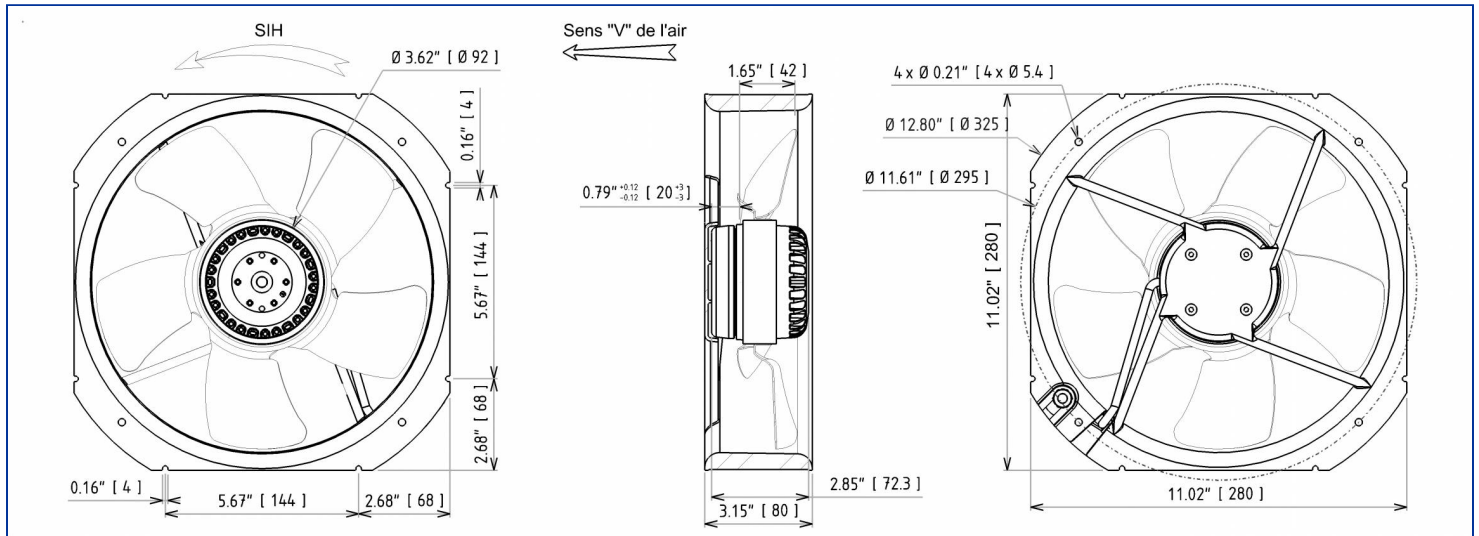


Designation **2VGCu25 250V**

Range Axial fans with single phase asynchronous motor

ELECTRICAL DATA

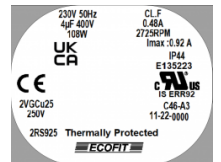
Speed		
Tension (V)	230	230
Frequency (Hz)	50	60
Current (A)	0.48	0.60
Maximum current (A)	0.92	1.05
Power (W)	108	137
Maximum power (W)	185	221
Rotation (RPM)	2725	3130
Cos Φ	0.978	0.993
Temperature min/max (°C)	-25/+70	-25/+70
Capacitor (µF)	4.00	4.00
U_condo (V)	400	400



MARKING & STANDARDS

Conformity

- **CE**
- **UKCA**
- **UL 2RS925 2111 REC92 MonoPhasé (XEW2,8)**
File number E135223



The product is manufactured in accordance with EN 60335-1, UL2111, and RoHS directive 2015/863/CE
IP class according to EN 60034-5 to be checked with operation and installation

Issued: 2023-06-26 at 17:52 Documentations and pictures are non contractual, all the data of the technical file and the drawing are subject to change.

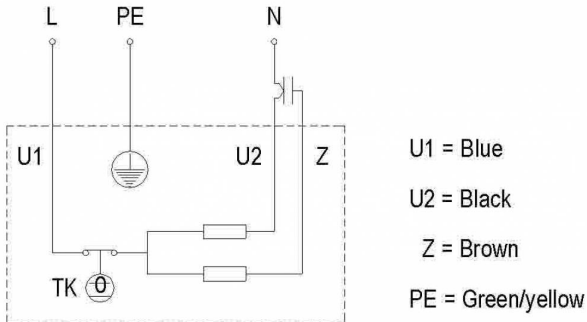
EN - Page 1 / 4

TECHNICAL DATA

Description

- Weight: 2.70 kg
- With Condensat Drain Holes
- Class F
- Protection level: 44 | Protection against ingress of solid with diameter ≥ 1 mm / Protection against ingress of water : splashing
- Motor's protection T150° C UL Automatic reset
- Bearing type: 2 ball bearings 608ZZ
- Balance level: G6.3

Wiring diagram



Finishes

- Zinc coated impeller
- Rotor and impeller : black paint
- Aluminium ring
- Capacitor fixed on the ring and wired to a connexion block
- Motor - UL Recognized component

The product is manufactured in accordance with EN 60335-1, UL2111, and RoHS directive 2015/863/CE
IP class according to EN 60034-5 to be checked with operation and installation

Issued: 2023-06-26 at 17:52 Documentations and pictures are non contractual, all the data of the technical file and the drawing are subject to change.

EN - Page 2 / 4



by



ADDITIONAL DATA

Accessories

- 19220 | Capacitor
- 21369 | Finger guard

Documentations

- Operating and recycling manual
<http://www.ecofit.com/anglais/normes>

Measurement setup

- Ring 16194-b Virole carrée 250V alu moulée

ERP DATA

ErP Directive ErP (EU 2009/125/EC) not applicable:

- Power at optimum energy efficiency point <125W

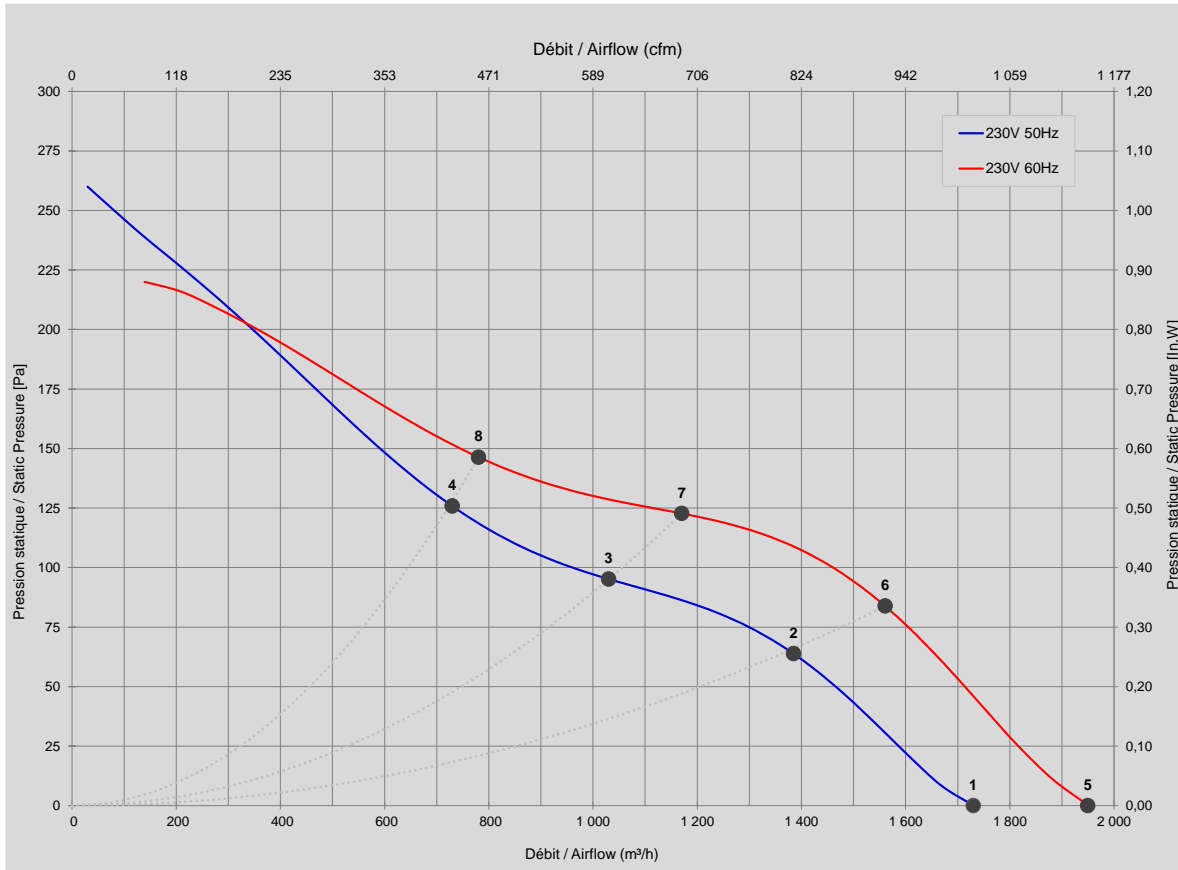
*The product is manufactured in accordance with EN 60335-1, UL2111, and RoHS directive 2015/863/CE
IP class according to EN 60034-5 to be checked with operation and installation*

Issued: 2023-06-26 at 17:52 Documentations and pictures are non contractual, all the data of the technical file and the drawing are subject to change.

EN - Page 3 / 4

TECHNICAL DATA

Do not use in pumping zone.



Mesures / Measured Values *

	Un (V)	F (Hz)	C (µF)	P (W)	n (RPM)	Q (m³/h)	P (Pa)	Q (cfm)	P (In.W)	Lp _m (dBA)
1	230	50	4	108	2725	1 730	0	1 018	0,000	66
2	230	50	4	120	2651	1 385	64	815	0,256	70
3	230	50	4	126	2597	1 030	95	606	0,381	70
4	230	50	4	136	2541	730	126	430	0,504	69
5	230	60	4	137	3130	1 950	0	1 148	0,000	69
6	230	60	4	154	2957	1 561	84	919	0,336	75
7	230	60	4	166	2869	1 171	123	689	0,492	73
8	230	60	4	176	2751	780	146	459	0,586	72

* Air performance measured according to: ISO 5801, installation category C.
Intake-side sound level: according to ISO 3744, LpA measured at 1 m distance from fan axis. The values given are only applicable under the specified measuring conditions and may differ depending on the installation conditions.

The product is manufactured in accordance with EN 60335-1, UL2111, and RoHS directive 2015/863/CE
IP class according to EN 60034-5 to be checked with operation and installation