

Technical data sheet

Revision j
Revision 12/2023

ECOFIT

by



Model
C49-A7 p

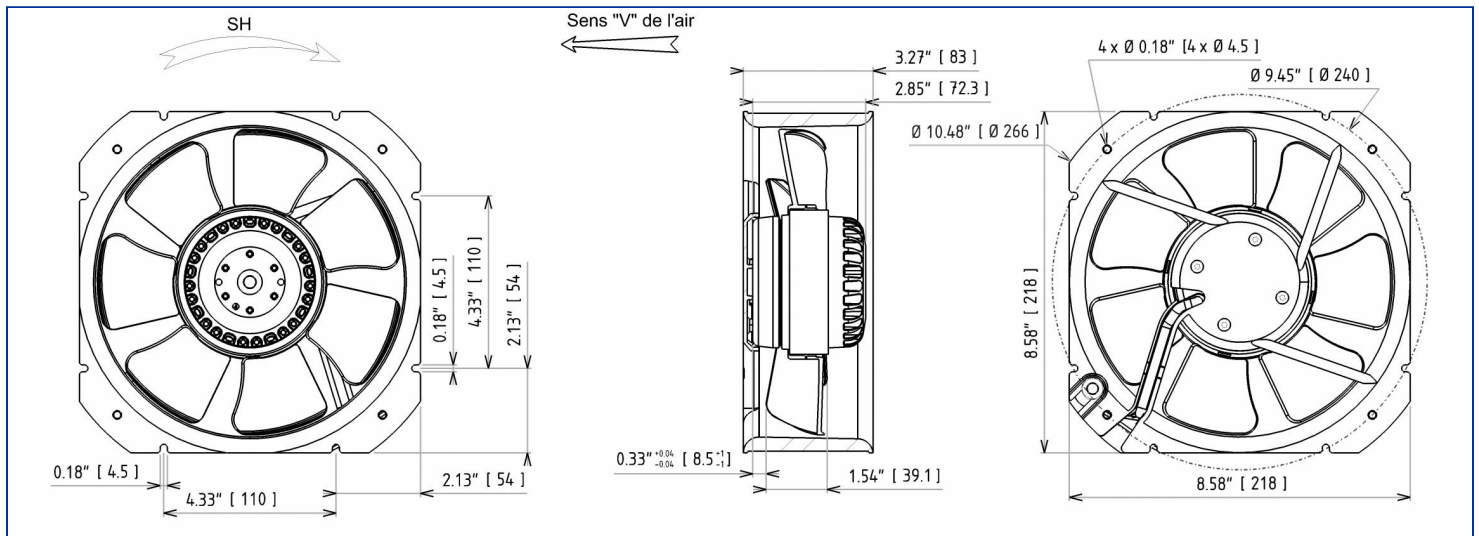


Designation **2VGCu25 200V**

Range Axial fans with single phase asynchronous motor

ELECTRICAL DATA

Speed		
Tension (V)	115	115
Frequency (Hz)	50	60
Current (A)	0.61	0.77
Maximum current (A)	0.83	1.10
Power (W)	63	88
Maximum power (W)	81	112
Rotation (RPM)	2705	3035
Cos Φ	0.898	0.994
Temperature min/max (°C)	-25/+70	-25/+70
Capacitor (µF)	6.00	6.00
U_condo (V)	250	250



MARKING & STANDARDS

Conformity

- CE
- UKCA
- UL 2RS925 2111 REC92 MonoPhasé (XEW2,8)
File number E135223



The product is manufactured in accordance with EN 60335-1, UL2111, and RoHS directive 2015/863/CE
IP class according to EN 60034-5 to be checked with operation and installation

Issued: 2023-12-03 at 14:59 Documentations and pictures are non contractual, all the data of the technical file and the drawing are subject to change.

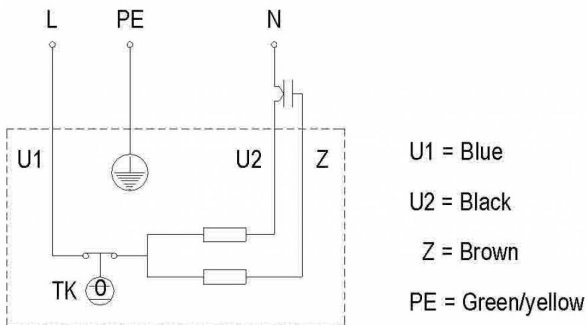
EN - Page 1 / 4

TECHNICAL DATA

Description

- Weight: 2.40 kg
- With Condensat Drain Holes
- Class F
- Protection level: 44 | Protection against ingress of solid with diameter ≥ 1 mm / Protection against ingress of water : splashing
- Motor's protection T150° C UL Automatic reset
- Bearing type: 2 ball bearings 608ZZ
- Balance level: G6.3

Wiring diagram



Finishes

- Plastic impeller PA 6/6
- Rotor : black paint
- Aluminium ring
- Capacitor fixed on the ring and wired to a connexion block
- Motor - UL Recognized component

The product is manufactured in accordance with EN 60335-1, UL2111, and RoHS directiv 2015/863/CE
IP class according to EN 60034-5 to be checked with operation and installation

Issued: 2023-12-03 at 14:59 Documentations and pictures are non contractual, all the data of the technical file and the drawing are subject to change.

EN - Page 2 / 4



by



ADDITIONAL DATA

Accessories

- 19253 | Capacitor
- 21360 | Finger guard

Documentations

- Operating and recycling manual
<http://www.ecofit.com/anglais/normes>

Measurement setup

- Ring 16189-0 Virole Carrée 200 ALU

ERP DATA

ErP Directive ErP (EU 2009/125/EC) not applicable:

- Power at optimum energy efficiency point <125W

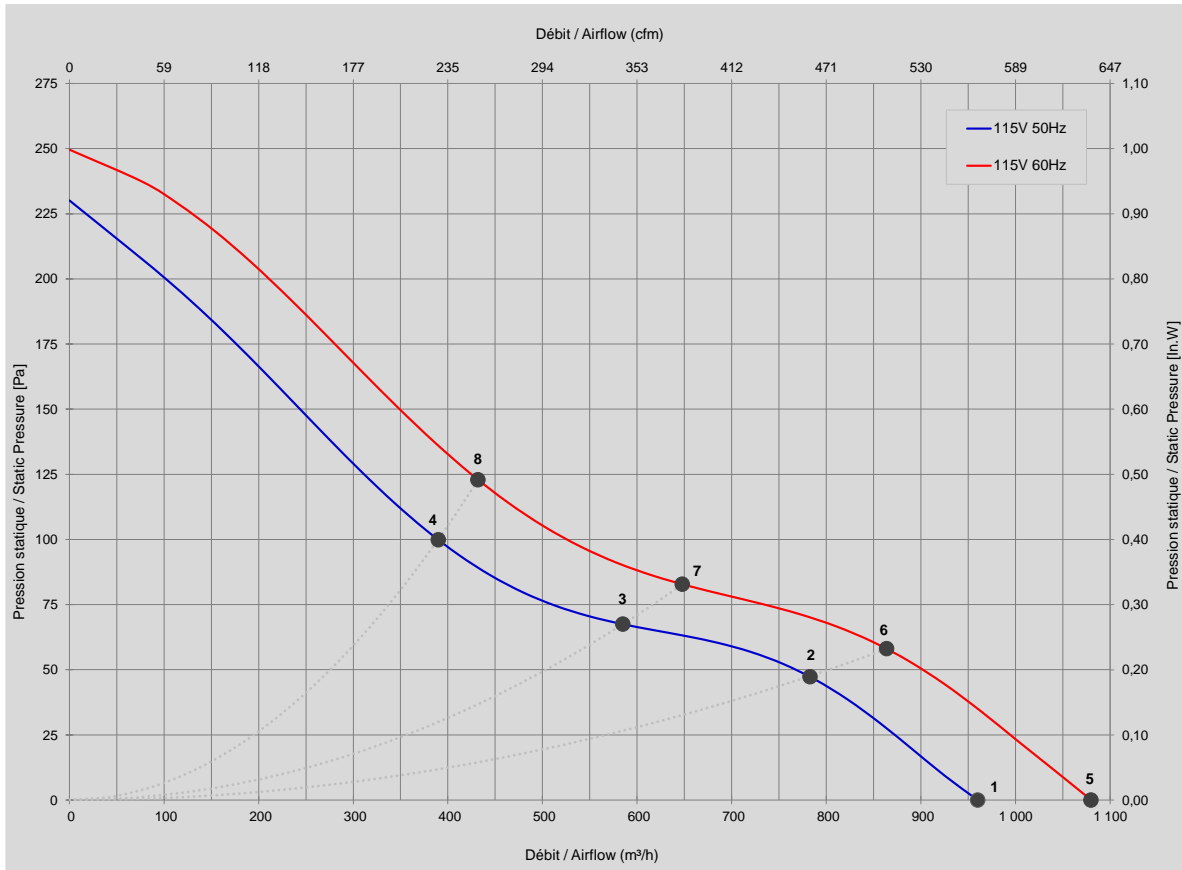
*The product is manufactured in accordance with EN 60335-1, UL2111, and RoHS directive 2015/863/CE
IP class according to EN 60034-5 to be checked with operation and installation*

Issued: 2023-12-03 at 14:59 Documentations and pictures are non contractual, all the data of the technical file and the drawing are subject to change.

EN - Page 3 / 4

TECHNICAL DATA

Do not use in pumping zone.



Mesures / Measured Values *

	Un (V)	F (Hz)	C (µF)	P (W)	n (RPM)	Q (m³/h)	P (Pa)	Q (cfm)	P (In.W)	Lp _m (dBA)
1	115	50	6	63	2705	960	0	565	0,000	62
2	115	50	6	69	2630	783	47	461	0,189	63
3	115	50	6	68	2649	585	67	344	0,270	66
4	115	50	6	68	2657	390	100	230	0,400	66
5	115	60	6	88	3035	1 080	0	636	0,000	65
6	115	60	6	97	2890	864	58	509	0,232	66
7	115	60	6	96	2923	648	83	381	0,332	68
8	115	60	6	96	2943	432	123	254	0,492	68

* Air performance measured according to: ISO 5801, installation category C.
Intake-side sound level: according to ISO 3744, LpA measured at 1 m distance from fan axis. The values given are only applicable under the specified measuring conditions and may differ depending on the installation conditions.

The product is manufactured in accordance with EN 60335-1, UL2111, and RoHS directive 2015/863/CE
IP class according to EN 60034-5 to be checked with operation and installation