

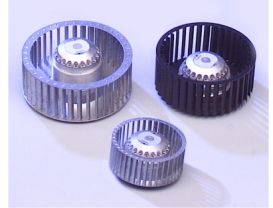


2TREu45 160x62R (115V) C48-B0

DATA SHEET

release. d - Revision 08-2016

Voltage	Frequency	Input Power	Input Current	Capacitor	Airflow	Rotation speed	Acoustic level	Direction rotation	Admissible Temperature	
V	Hz	W	A	µF	m³/h	RPM	dBA	↻	Min/Max	
115	50	234	2,05	25,0	620	2145	68	R	-40°C / +70°C	
115	60	282	2,47	25,0	570	2155	67	R	-40°C / +60°C	
115	50	364 CFM						-40°F / 158°F		
115	60	335 CFM						-40°F / 140°F		



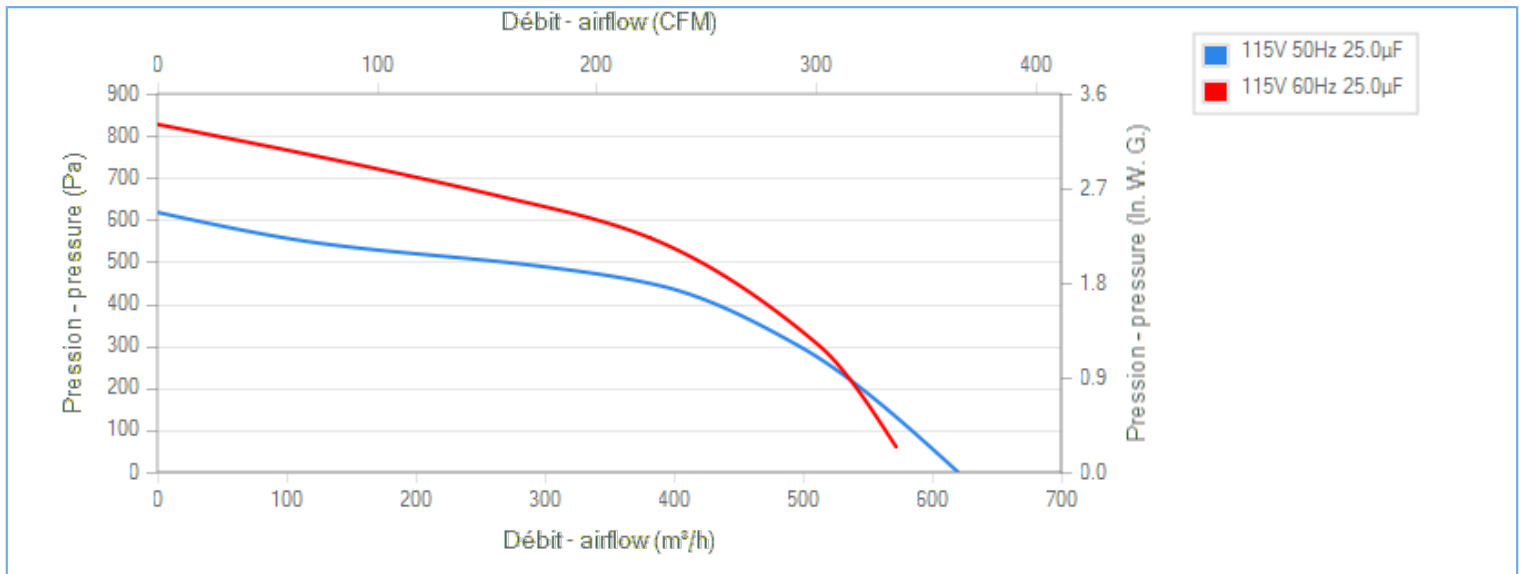
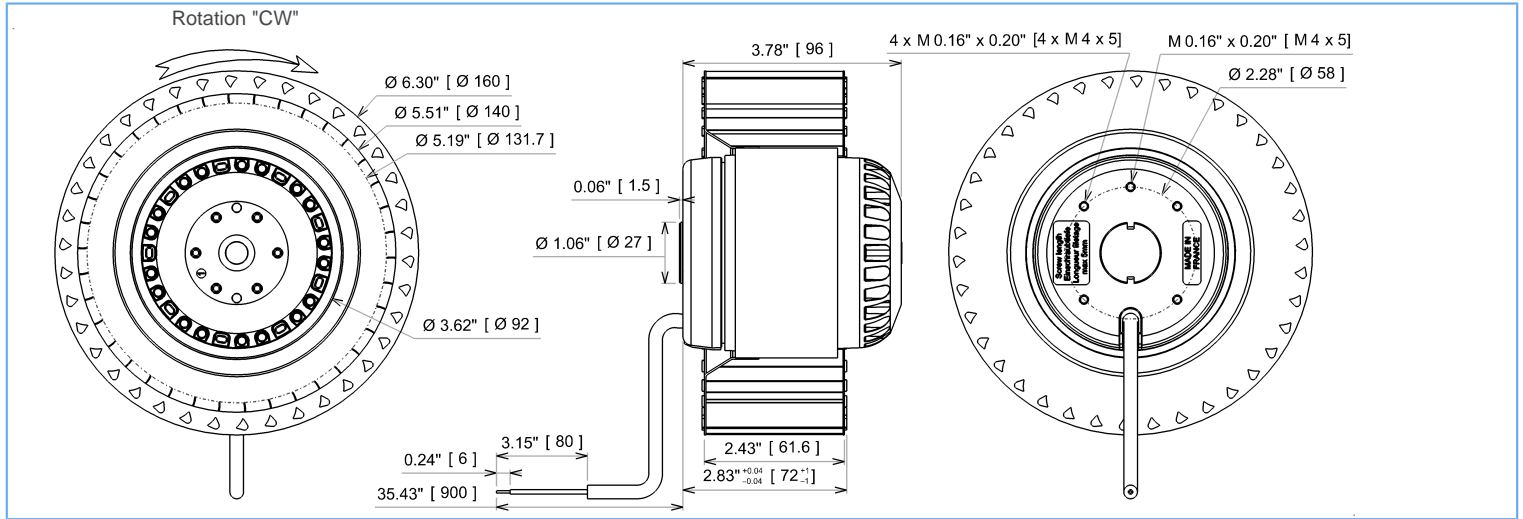
dBA : free blowing

ErP 2013

OK

ErP 2015

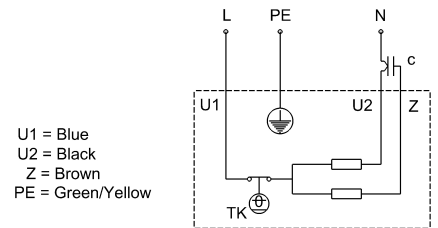
NOK



Tested with ECOFIT housing

Description

- .Weight : 3,0 Kg
- .Ball bearing
- .Class F, thermally protected
- .IP44 protection depending on installation and position as per EN60034-5
- .G2.5 balancing
- .Galvanized steel impeller
- .Rotor : black paint
- .Motor - UL Recognized component



Non contractual document. All specifications are subject to change without prior notice. Picture for information only.



2TREu45 160x62R (115V) C48-B0

DATA SHEET

release. d - Revision 08-2016

Data in accordance to ErP directive

Voltage	115	V
Frequency	50	Hz
Power	0,178	kW ⁽¹⁾
Airflow	390	m ³ /h ⁽¹⁾
Pressure	443	Pa ⁽¹⁾
Rotation speed	2592	RPM ⁽¹⁾

(1) at optimal efficiency point

For service use only in Europe according ErP directive EU 2009/125/EC

Accessories

- 19257
- 19257
- 21291
- 16154

Measurement setup

Contact ECOFIT

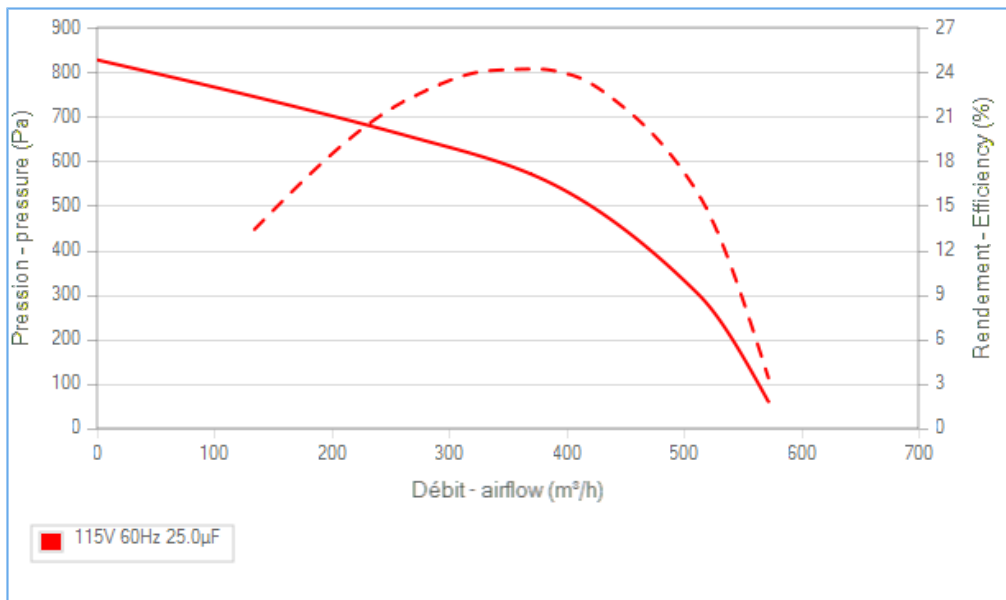
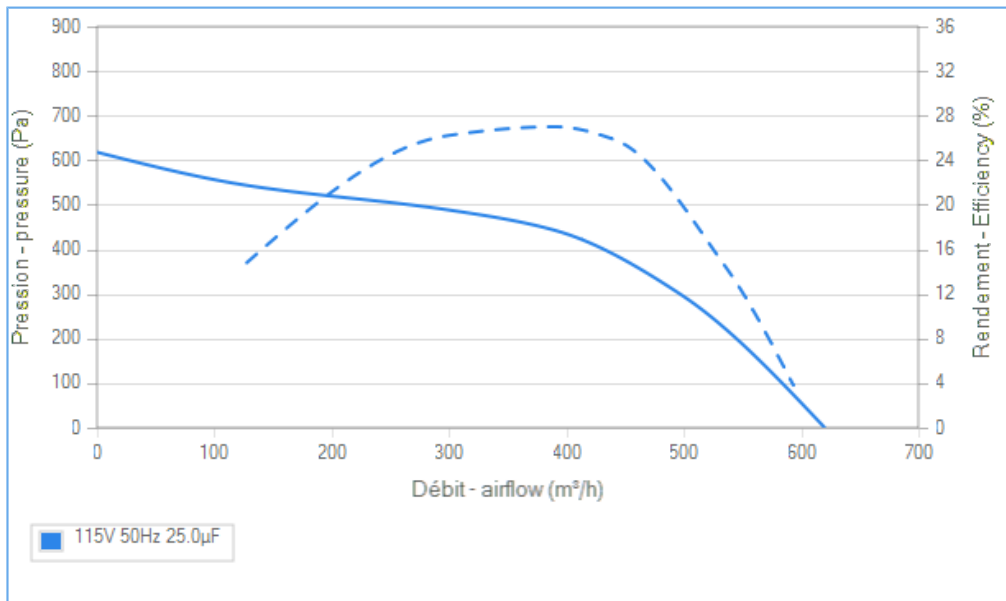
Documents

Manuel d'utilisation
www.ecofit.com/site/normes

Operating and recycling manual
www.ecofit.com/anglais/normes



UL2111 (XEW2,8)
 N° file E135223
 2RS945



Non contractual document. All specifications are subject to change without prior notice. Picture for information only.