



2RREuB3 180x35R

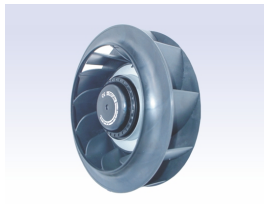
N50-A3



DATA SHEET

release. 0 - Revision 07-2018

Voltage	Frequency	Input Power	Input Current	Capacitor	Airflow	Rotation speed	Acoustic level	Direction rotation	Admissible Temperature
V	Hz	W	A	µF	m³/h	RPM	dBA	↻	Min/Max
120	50	50	0,43	6,0	485	2410	58	R	-40°C / +45°C
120	60	52	0,44	6,0	550	2745	61	R	-40°C / +70°C
120	50				285 CFM				-40°F / 113°F
120	60				323 CFM				-40°F / 158°F



dBa : free blowing

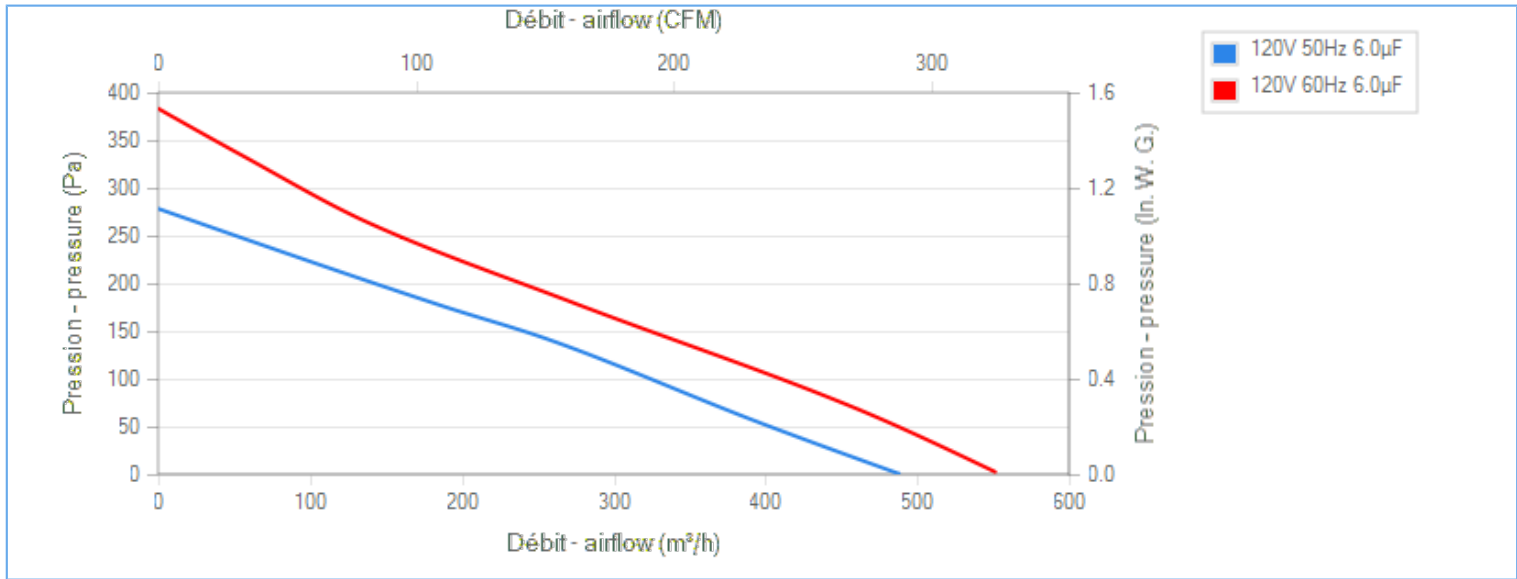
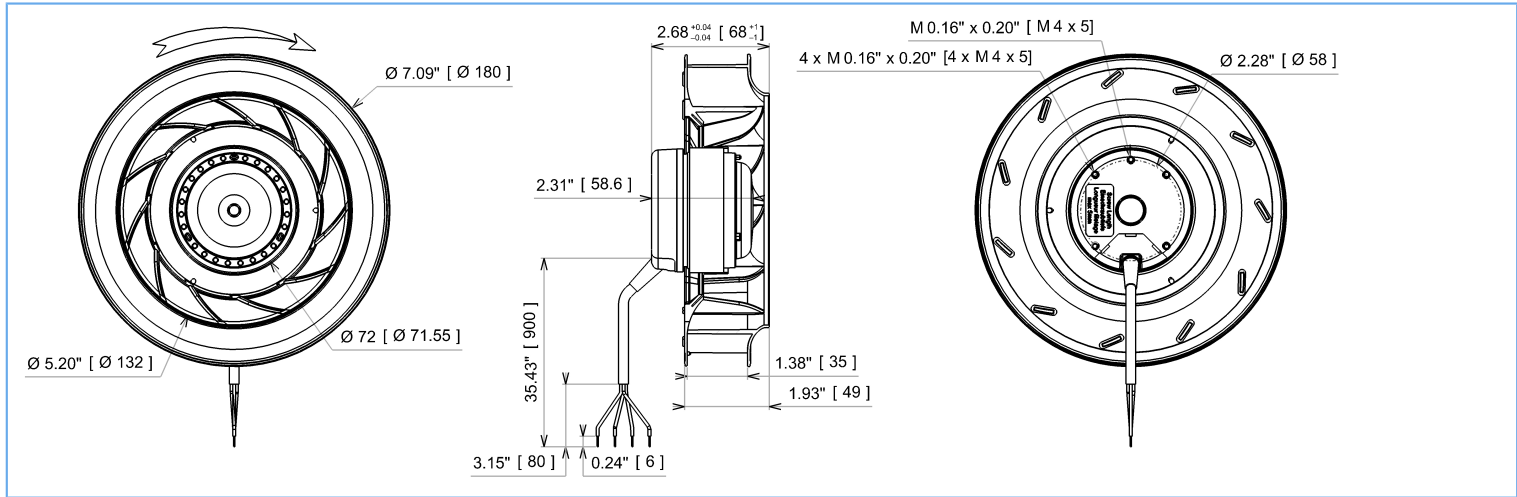
NA : not applicable

ErP 2013

NA

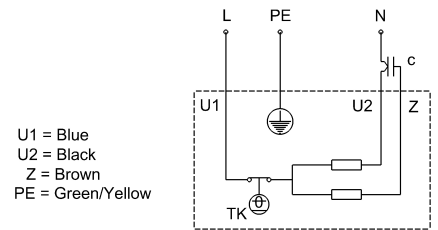
ErP 2015

NA



Description

- .Weight : 0,9 Kg
- .Ball bearing
- .Class F, thermally protected
- .IP44 protection depending on installation and position as per EN60034-5
- .G2.5 balancing
- .Rotor : black paint
- .PA 6/6 UL 94 V-0 plastic impeller
- .Motor - UL Recognized component



Non contractual document. All specifications are subject to change without prior notice. Picture for information only.



2RREuB3 180x35R

N50-A3



DATA SHEET

release. 0 - Revision 07-2018

Data in accordance to ErP directive

Voltage	120	V
Frequency	50	Hz
Power	0,052	kW ⁽¹⁾
Airflow	256	m ³ /h ⁽¹⁾
Pressure	142	Pa ⁽¹⁾
Rotation speed	2271	RPM ⁽¹⁾

(1) at optimal efficiency point

ErP directive (EU 2009/125/EC) not applicable :
Power at optimum energy efficiency point

Accessories

- 19221
- 19221
- 21181
- 16043

Measurement setup

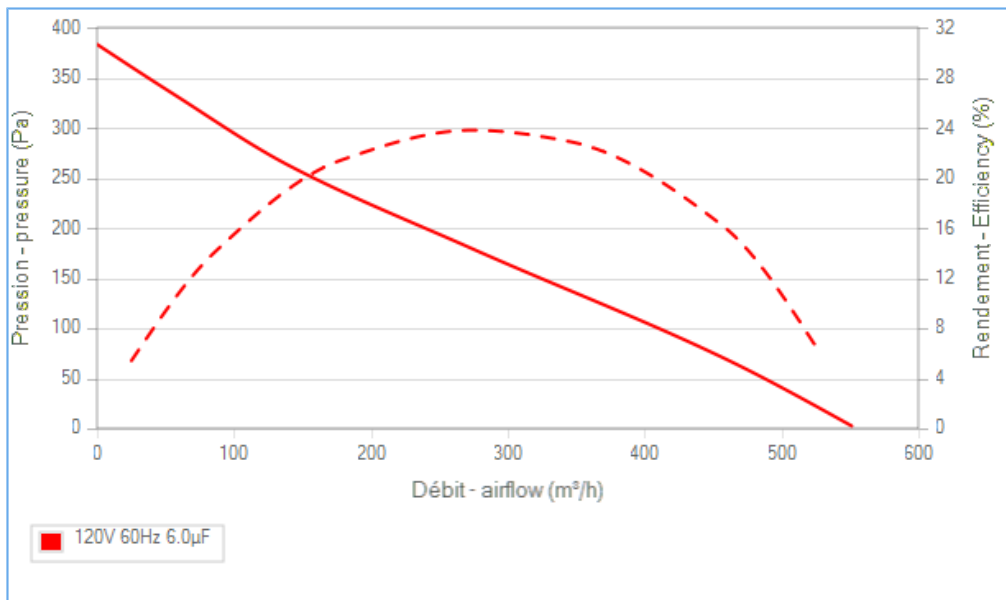
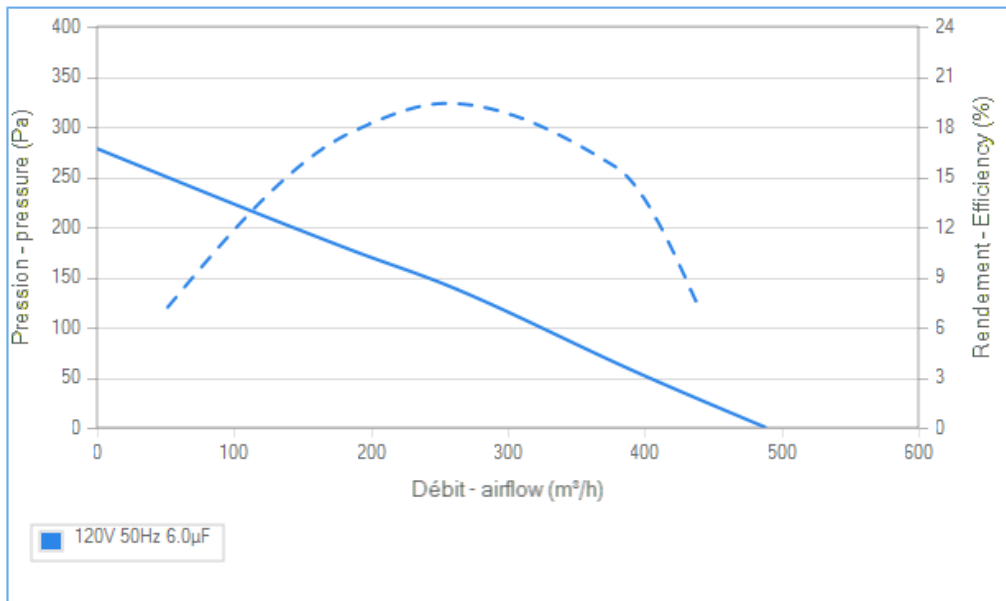
- 16043 OUIE OG 128 GALVA

Documents

- Manuel d'utilisation
www.ecofit.com/site/normes
- Operating and recycling manual
www.ecofit.com/anglais/normes



UL2111 (XEWR2,8)
N° file E135223
2RS73



Non contractual document. All specifications are subject to change without prior notice. Picture for information only.