



2RREuB3 133x42R

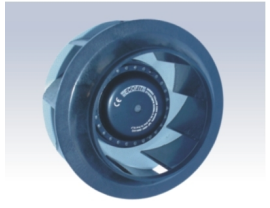
E21-A4



DATA SHEET

release. d - Revision 04-2015

Voltage	Frequency	Input Power	Input Current	Capacitor	Airflow	Rotation speed	Acoustic level	Direction rotation	Admissible Temperature
V	Hz	W	A	μF	m ³ /h	RPM	dBA		Min/Max
115	50	34	0,32	4,0	320	2660	54		-40°C / +60°C
115	60	33	0,29	4,0	375	3135	57		-40°C / +70°C
115	50				188 CFM				-40°F / 140°F
115	60				220 CFM				-40°F / 158°F



dBA : free blowing

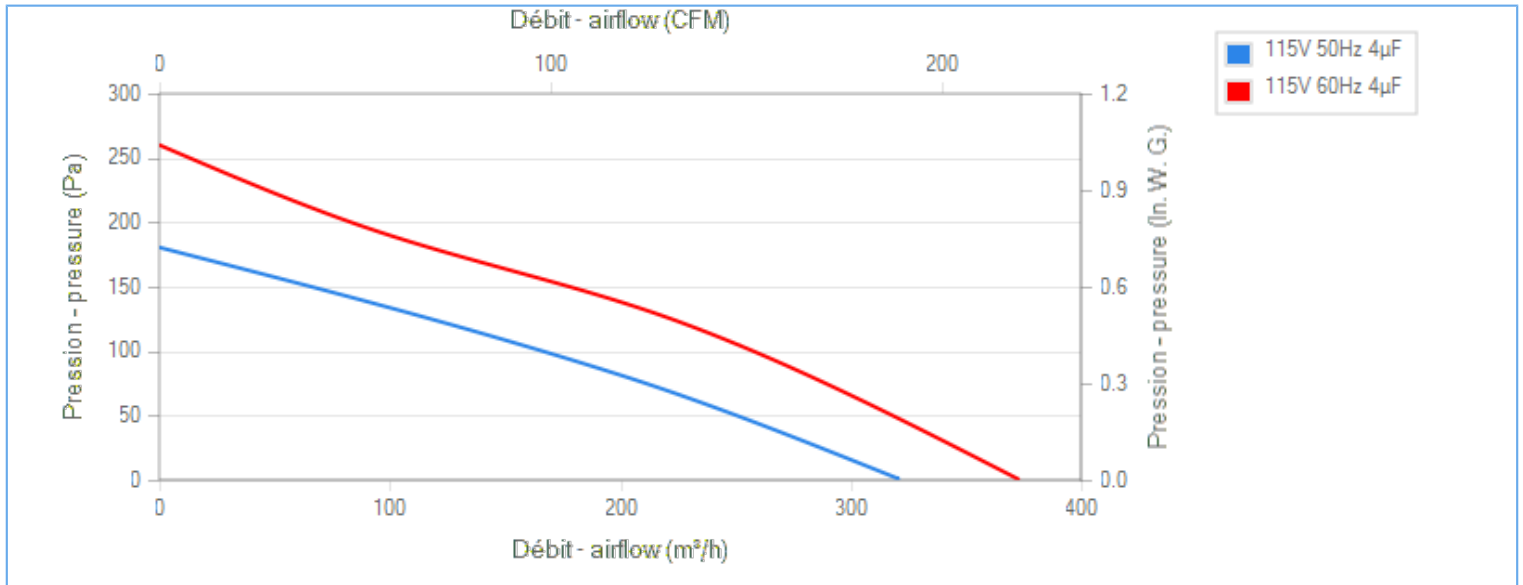
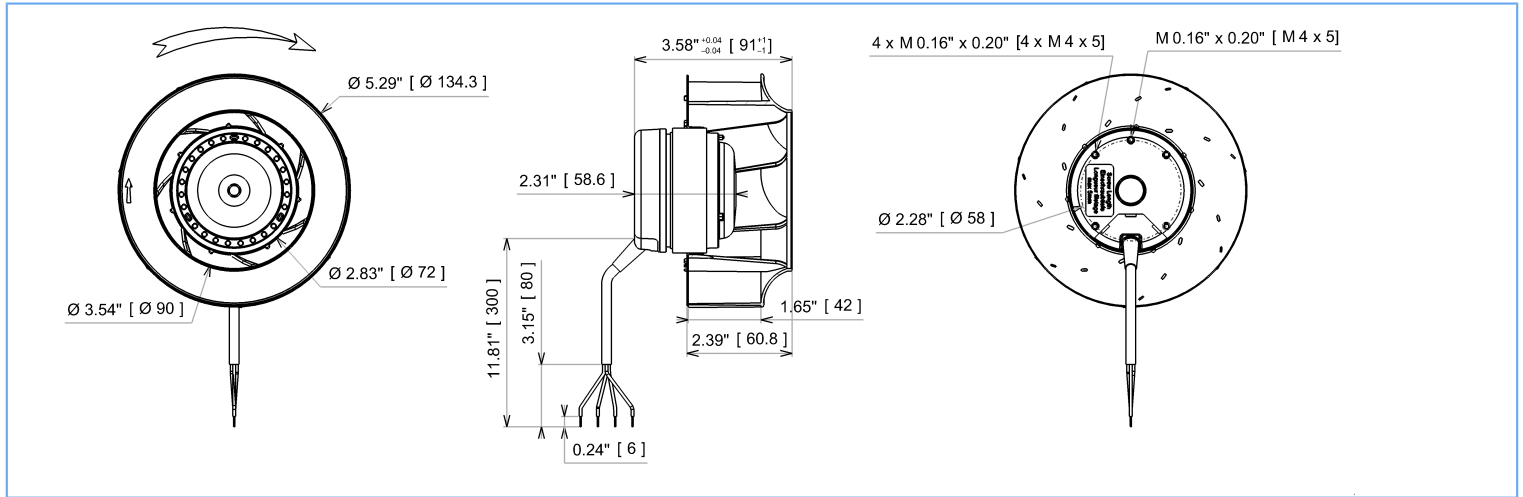
NA : not applicable

ErP 2013

NA

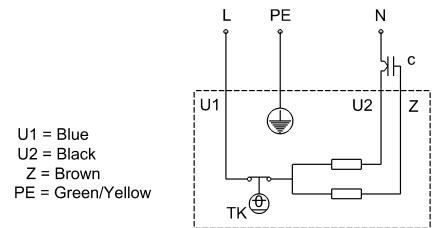
ErP 2015

NA



Description

- .Weight : 1,0 Kg
- .Ball bearing
- .Class F, thermally protected
- .IP44 protection depending on installation and position as per EN60034-5
- .G2.5 balancing
- .Rotor : black paint
- .PP UL 94 V-0 plastic impeller
- .Motor - UL Recognized component



Non contractual document. All specifications are subject to change without prior notice. Picture for information only.



2RREuB3 133x42R

E21-A4



DATA SHEET

release. d - Revision 04-2015

Data in accordance to ErP directive

Voltage	115	V
Frequency	50	Hz
Power	0,035	kW ⁽¹⁾
Airflow	169	m ³ /h ⁽¹⁾
Pressure	103	Pa ⁽¹⁾
Rotation speed	2622	RPM ⁽¹⁾
(1) at optimal efficiency point		

ErP directive (EU 2009/125/EC) not applicable :
Power at optimum energy efficiency point

Accessories

- 19220
- 19220
- 21367
- 16203

Measurement setup

16201 Ouie 0S88 Tole XC

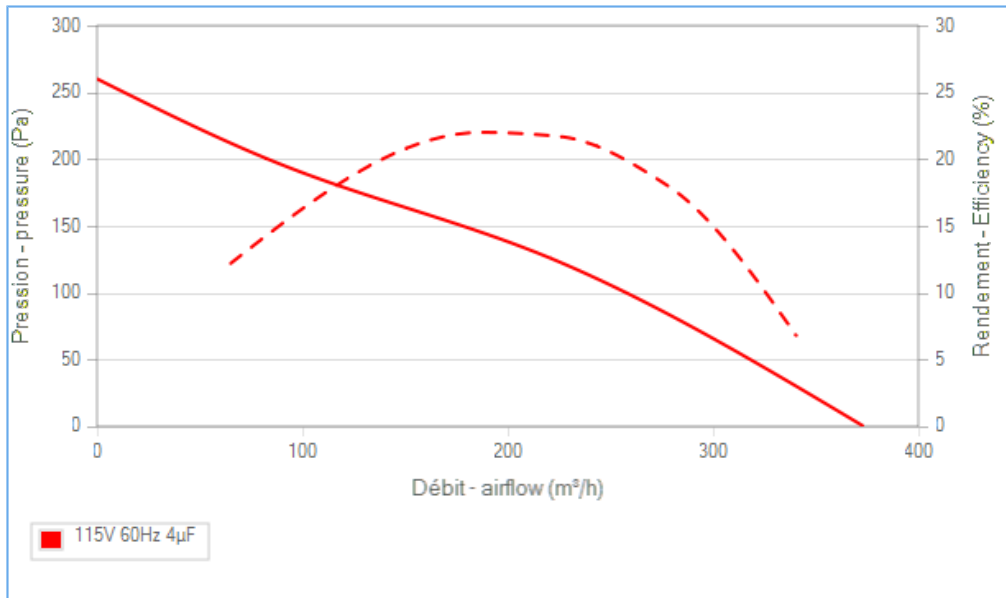
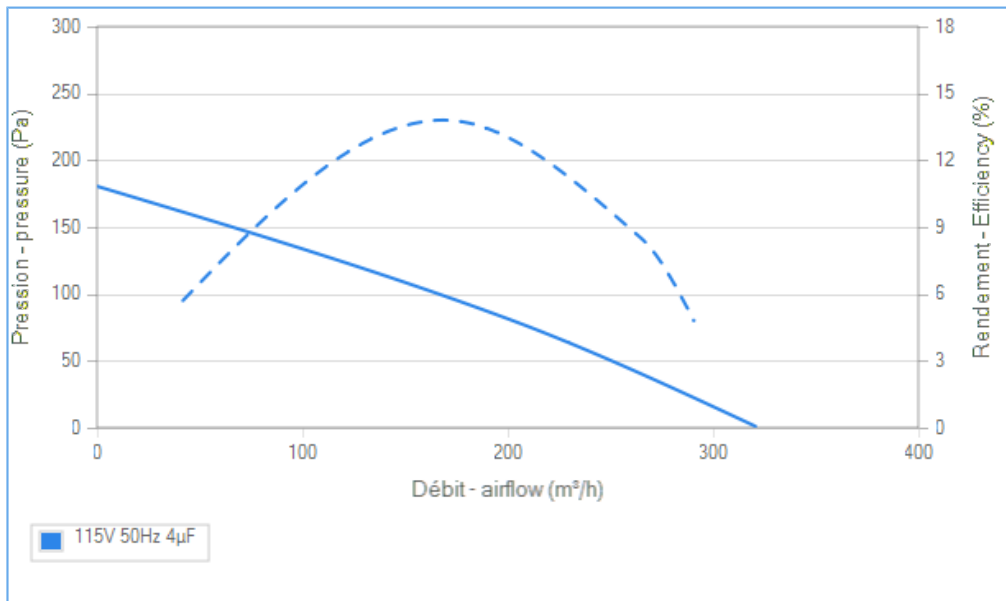
Documents

Manuel d'utilisation
www.ecofit.com/site/normes

Operating and recycling manual
www.ecofit.com/anglais/normes



UL2111 (XEWR2,8)
N° file E135223
2RS73



Non contractual document. All specifications are subject to change without prior notice. Picture for information only.