

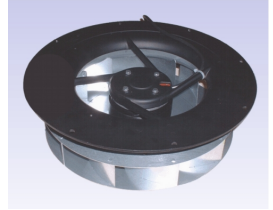


2RREu45 280x40R (115V-Inv) C45-A9

DATA SHEET

release. c - Revision 04-2017

Voltage	Frequency	Input Power	Input Current	Capacitor	Airflow	Rotation speed	Acoustic level	Direction rotation	Admissible Temperature
V	Hz	W	A	µF	m³/h	RPM	dBA		Min/Max
115	50	214	1,87	30,0	1505	2575	77	R	-40°C / +70°C
115	60	304	2,67	30,0	1585	2800	79	R	-40°C / +70°C
115	50				885 CFM				-40°F / 158°F
115	60				932 CFM				-40°F / 158°F



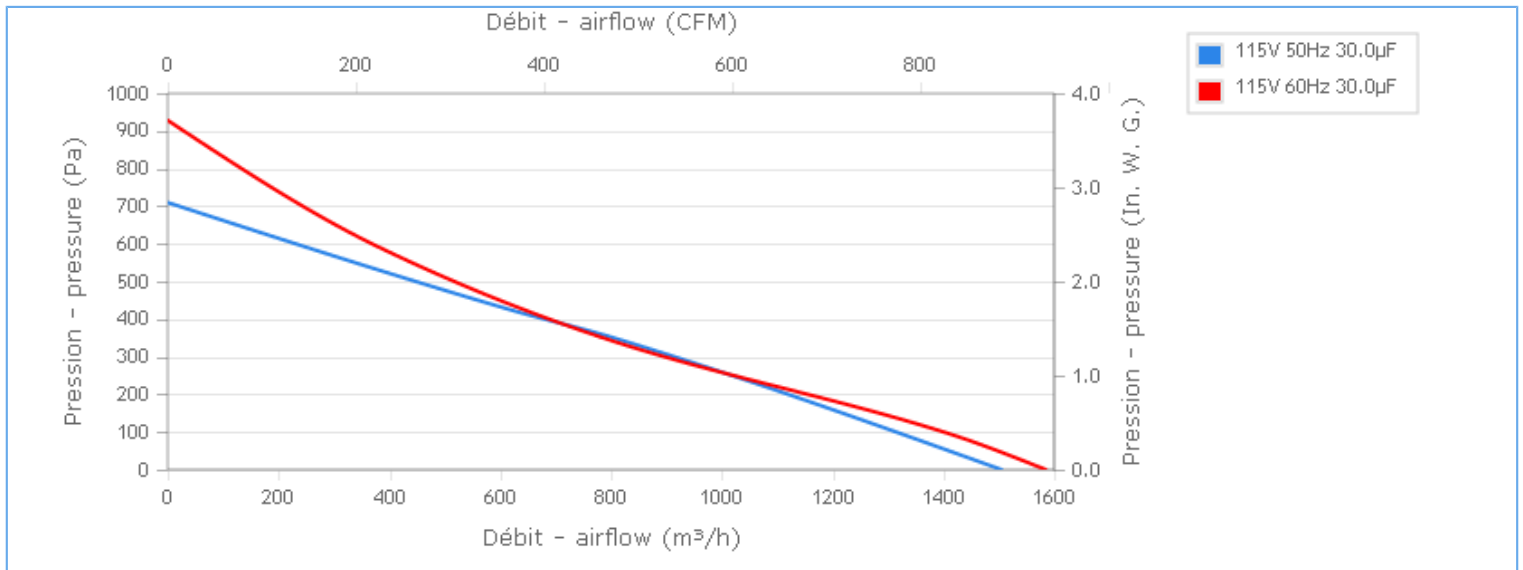
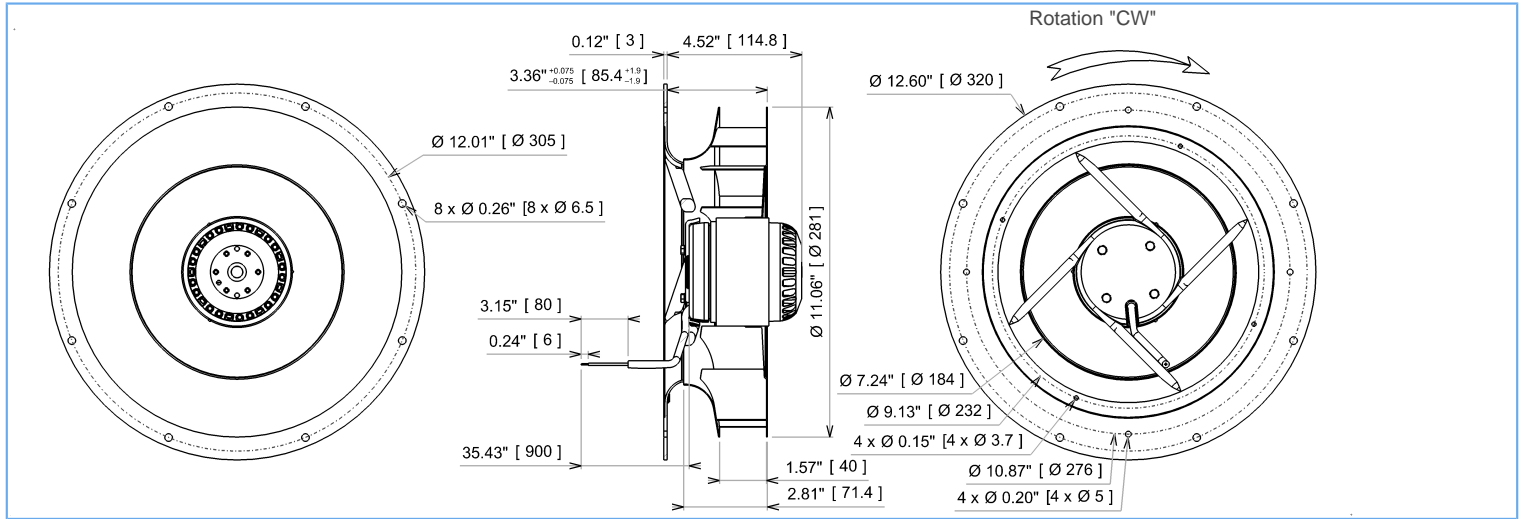
dBA : free blowing

ErP 2013

NOK

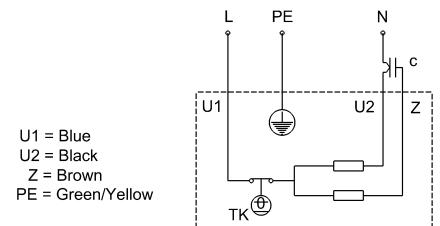
ErP 2015

NOK



Description

- .Weight : 4.5 Kg
- .Ball bearing
- .Insulation Class F
- .IP44 protection depending on installation and position as per EN60034-5
- .G2.5 balancing
- .Galvanized steel impeller
- .Rotor : black paint
- .Black painted aluminium reversed-inletcone
- .Motor - UL Recognized component



U1 = Blue
U2 = Black
Z = Brown
PE = Green/Yellow

Non contractual document. All specifications are subject to change without prior notice. Picture for information only.



2RREu45 280x40R (115V-Inv) C45-A9

DATA SHEET

release. c - Revision 04-2017

Data in accordance to ErP directive

Voltage	115	V
Frequency	50	Hz
Power	0,260	kW ⁽¹⁾
Airflow	800	m ³ /h ⁽¹⁾
Pressure	352,3	Pa ⁽¹⁾
Rotation speed	2362	RPM ⁽¹⁾
(1) at optimal efficiency point		

For service use only in Europe according ErP directive EU 2009/125/EC

Accessories

- 19256
- 19256
- 21360

Measurement setup

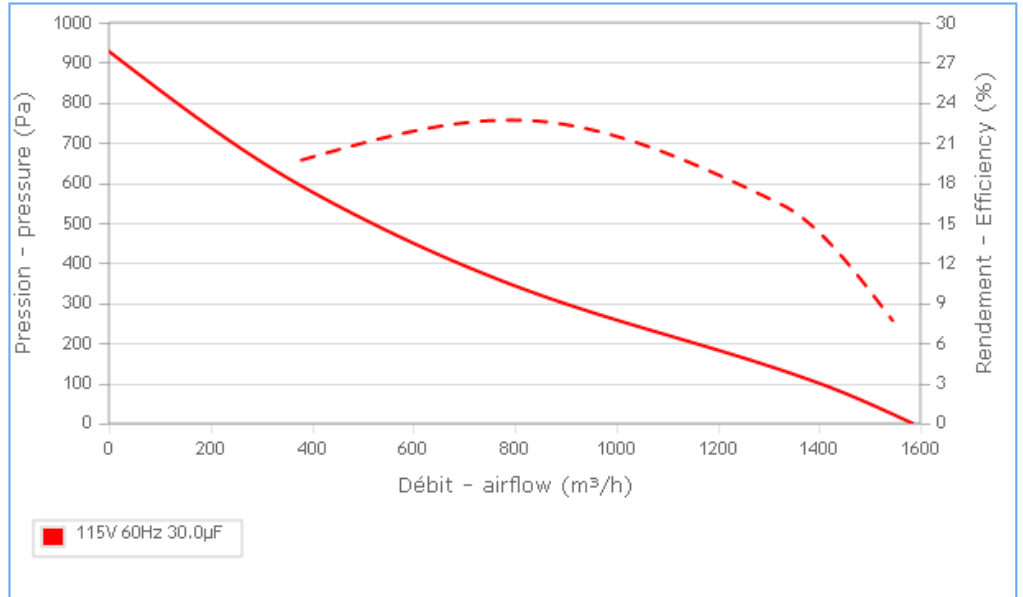
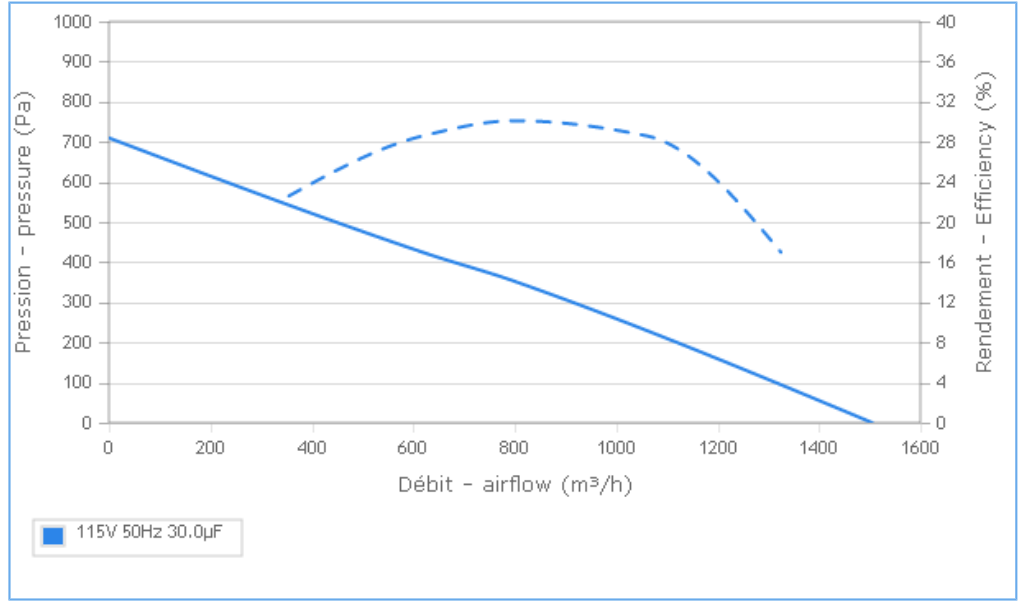
- 16168 OUIE Di182 De320mm H12 GALVA

Documents

- Manuel d'utilisation
www.ecofit.com/site/normes
- Operating and recycling manual
www.ecofit.com/anglais/normes



UL2111 (XEW2,8)
N° file E135223
2RS945



Non contractual document. All specifications are subject to change without prior notice. Picture for information only.