



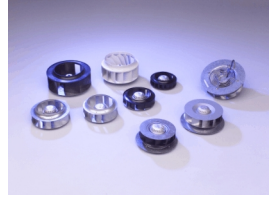
2RREu45 250x56R

Z27-03

DATA SHEET

release. e - Revision 08-2018

Voltage	Frequency	Input Power	Input Current	Capacitor	Airflow	Rotation speed	Acoustic level	Direction rotation	Admissible Temperature
V	Hz	W	A	µF	m³/h	RPM	dBA	↻	Min/Max
230	50	190	0,83	6,0	1540	2700	73	R	-40°C / +60°C
230	60	259	1,13	6,0	1745	3030	77	R	-40°C / +70°C
230	50				906 CFM				-40°F / 140°F
230	60				1027 CFM				-40°F / 158°F



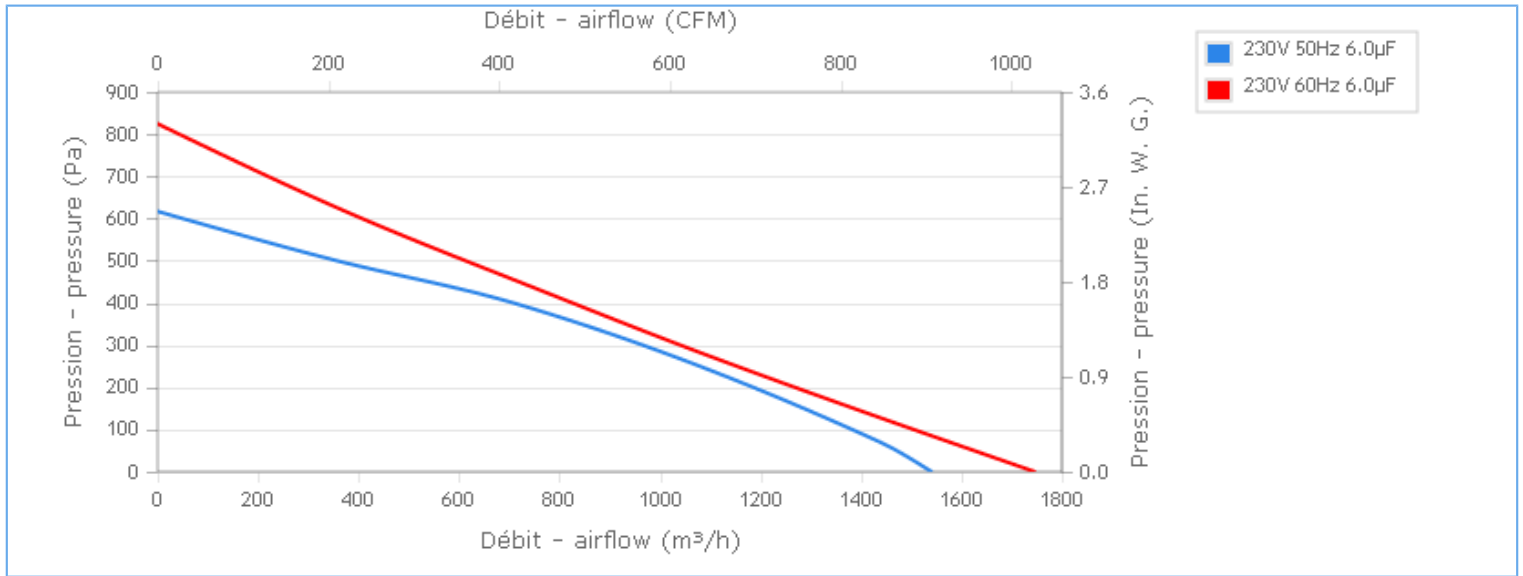
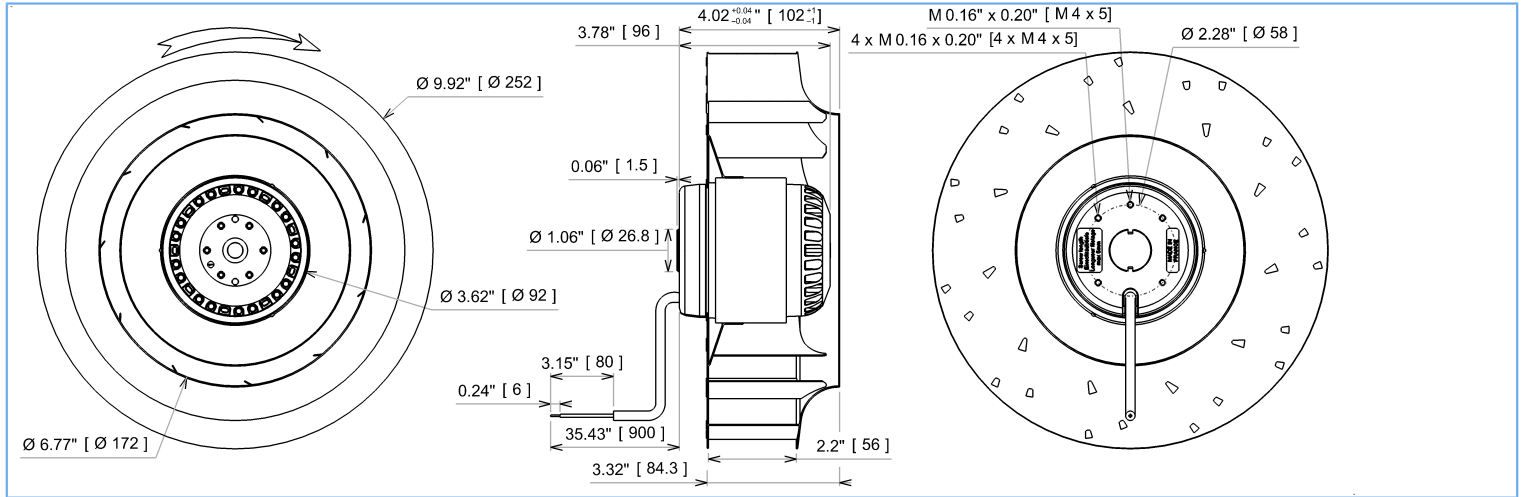
dBA : free blowing

ErP 2013

NOK

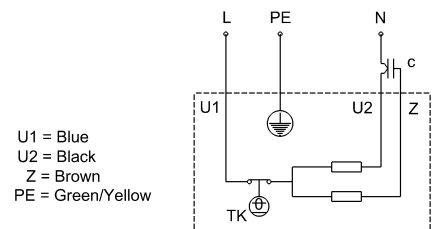
ErP 2015

NOK



Description

- .Weight : 3,4 Kg
- .Ball bearing
- .Class F, thermally protected
- .IP44 protection depending on installation and position as per EN60034-5
- .G2.5 balancing
- .Rotor : black paint
- .Galvanized steel impeller
- .Motor - UL Recognized component



Non contractual document. All specifications are subject to change without prior notice. Picture for information only.



2RREu45 250x56R

Z27-03

DATA SHEET

release. e - Revision 08-2018

Data in accordance to ErP directive

Voltage	230	V
Frequency	50	Hz
Power	0,241	kW ⁽¹⁾
Airflow	710	m ³ /h ⁽¹⁾
Pressure	399,4	Pa ⁽¹⁾
Rotation speed	2526	RPM ⁽¹⁾

(1) at optimal efficiency point

For service use only in Europe according ErP directive EU 2009/125/EC

Accessories

- 19221
- 19221
- 21360
- 16114

Measurement setup

16114 M07-457 PAVILLON Dia Int.164 Ext.255 Galv.

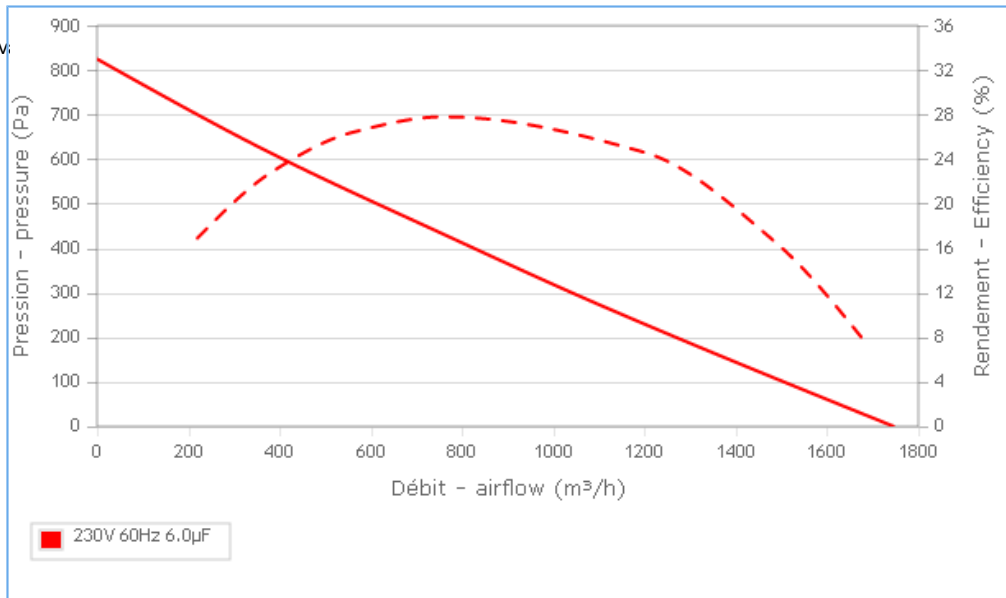
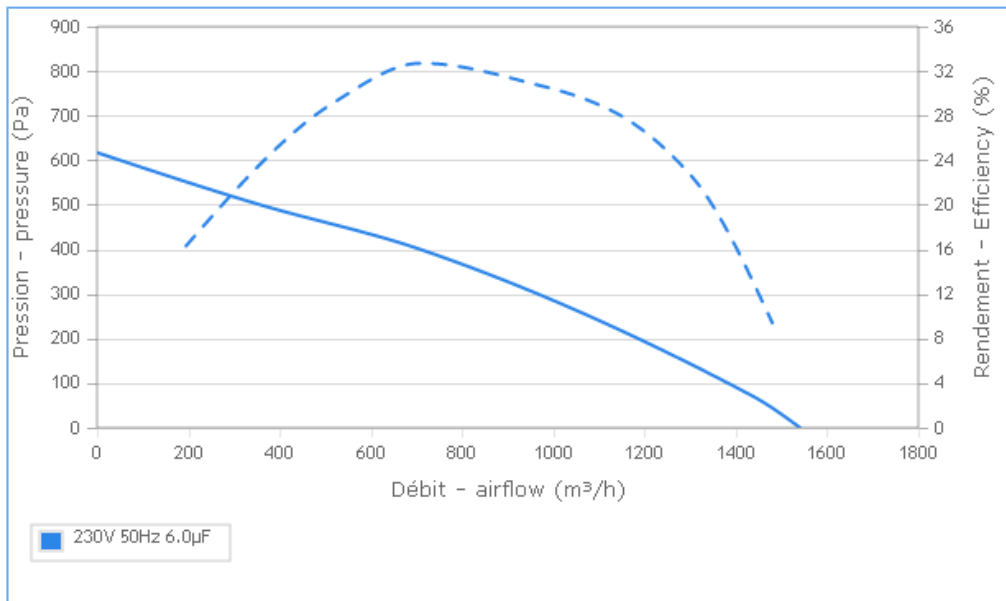
Documents

Manuel d'utilisation
www.ecofit.com/site/normes

Operating and recycling manual
www.ecofit.com/anglais/normes



UL2111 (XEWR2,8)
 N° file E135223
 2RS945



Non contractual document. All specifications are subject to change without prior notice. Picture for information only.