



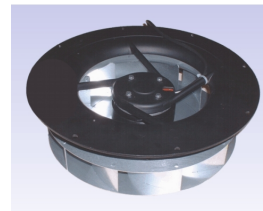
2RREu45 250x56R (Inv)

C36-B6

DATA SHEET

release. d - Revision 01-2018

Voltage	Frequency	Input Power	Input Current	Capacitor	Airflow	Rotation speed	Acoustic level	Direction rotation	Admissible Temperature
V	Hz	W	A	µF	m³/h	RPM	dBA		Min/Max
230	50	202	0,88	6,0	1410	2555	76	R	-40°C / +70°C
230	60	285	1,24	6,0	1450	2695	77	R	-40°C / +70°C
230	50				829 CFM				-40°F / 158°F
230	60				853 CFM				-40°F / 158°F



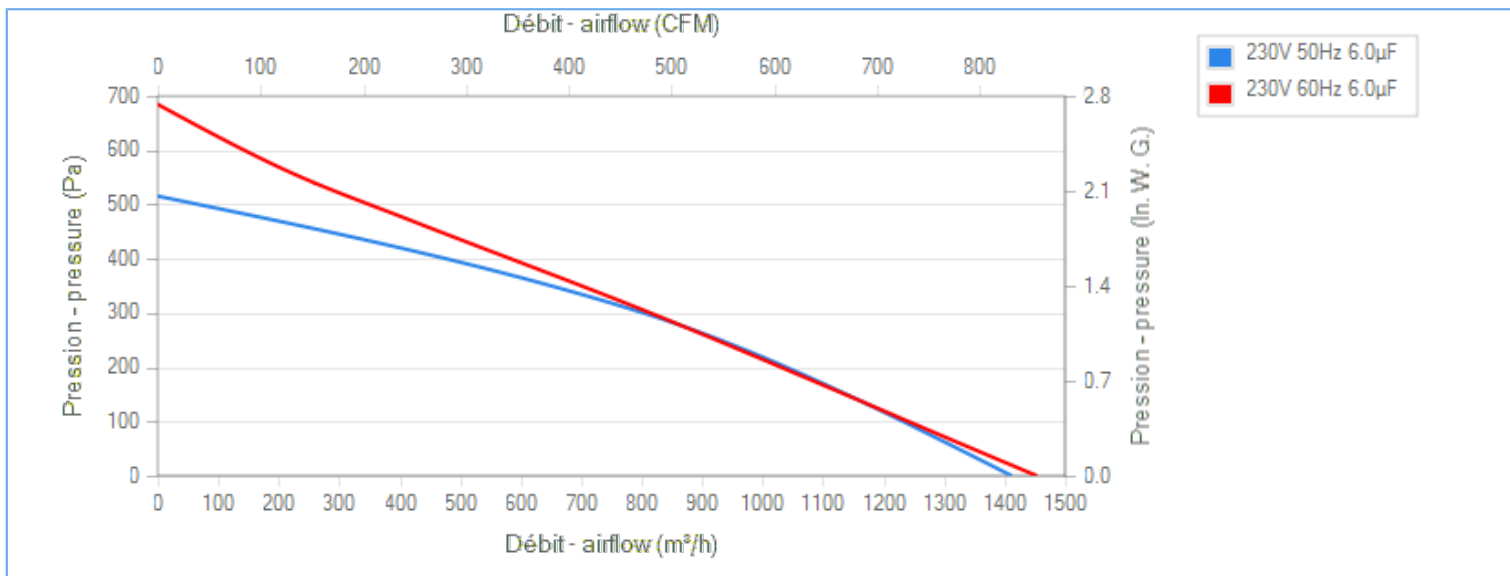
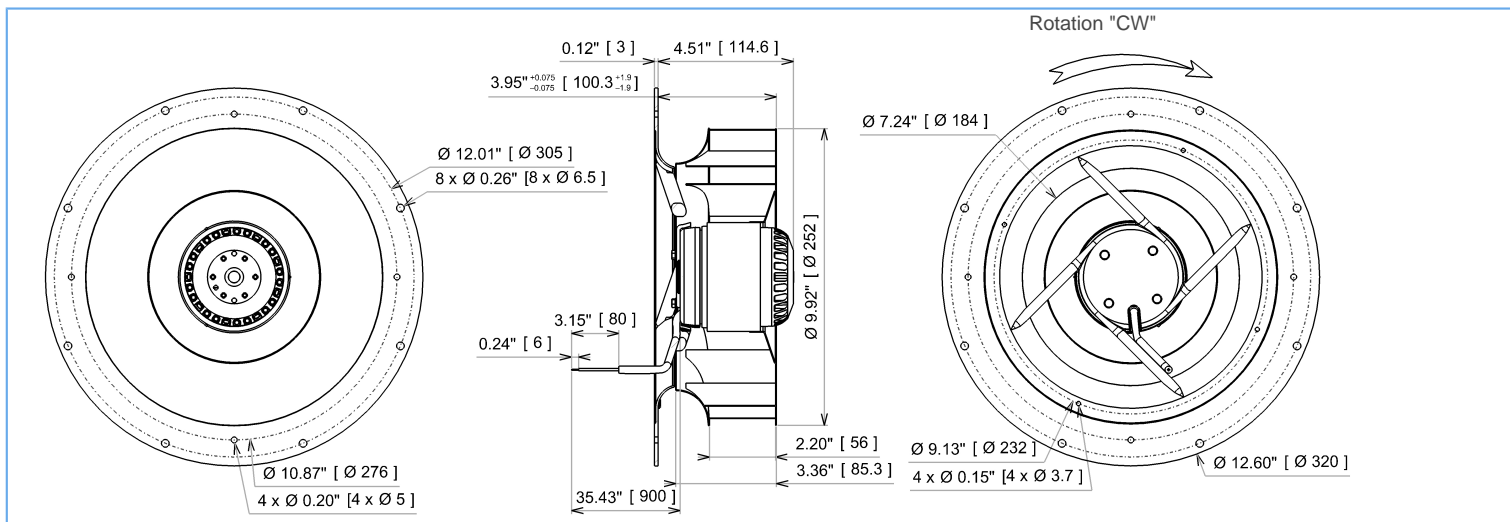
dBA : free blowing

ErP 2013

NOK

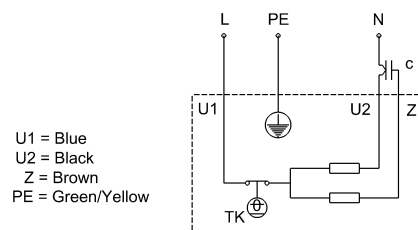
ErP 2015

NOK



Description

- .Weight : 3,5 Kg
- .Ball bearing
- .Class F, thermally protected
- .IP44 protection depending on installation and position as per EN60034-5
- .G2.5 balancing
- .Rotor : black paint
- .Galvanized steel impeller
- .Black painted aluminium reversed-inletcone
- .Motor - UL Recognized component



U1 = Blue
U2 = Black
Z = Brown
PE = Green/Yellow

Non contractual document. All specifications are subject to change without prior notice. Picture for information only.



2RREu45 250x56R (Inv)

C36-B6

DATA SHEET

release. d - Revision 01-2018

Data in accordance to ErP directive

Voltage	230	V
Frequency	50	Hz
Power	0,234	kW ⁽¹⁾
Airflow	795	m ³ /h ⁽¹⁾
Pressure	303	Pa ⁽¹⁾
Rotation speed	2434	RPM ⁽¹⁾

(1) at optimal efficiency point

For service use only in Europe according ErP directive EU 2009/125/EC

Accessories

- 19221
- 19221
- 21360

Measurement setup

16192 M05-020 Ouie support moteur Ø184inter Ø320ext moulée Alu NOIRE

Documents

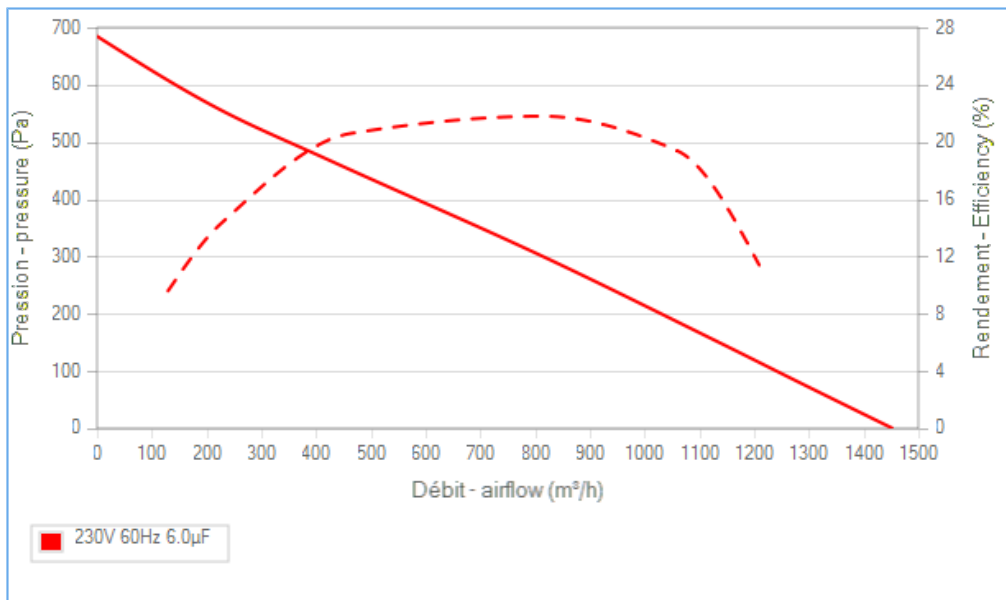
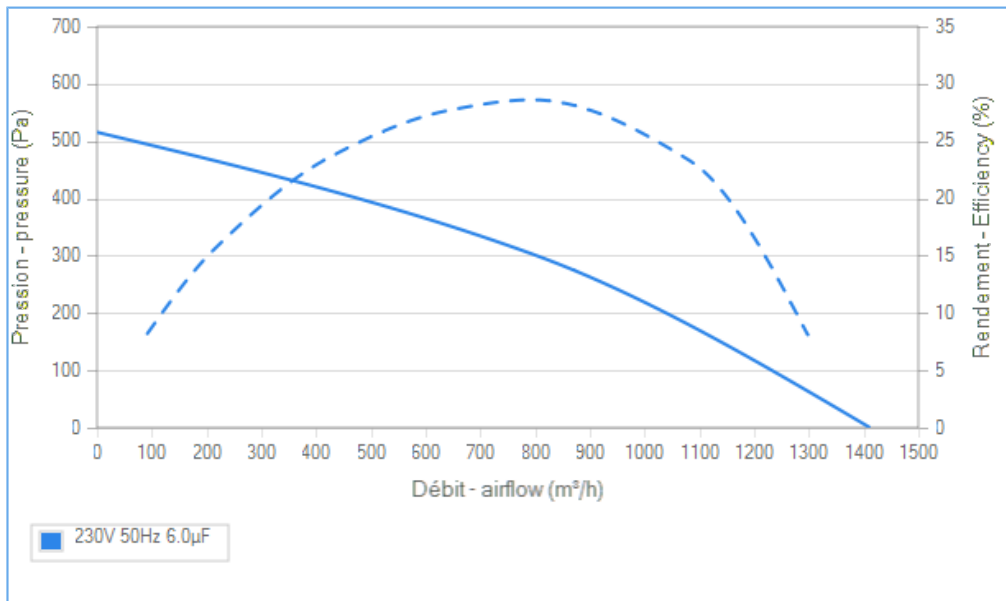
- Manuel d'utilisation
www.ecofit.com/site/normes
- Operating and recycling manual
www.ecofit.com/anglais/normes



UL2111 (XEW2,8)
N° file E135223
2RS945



A041865
2RS945CN



Non contractual document. All specifications are subject to change without prior notice. Picture for information only.