



2RREu45 250x50R (120V) N06-B2 p

DATA SHEET

release. 0 - Revision 06-2019

Voltage	Frequency	Input Power	Input Current	Capacitor	Airflow	Rotation speed	Acoustic level	Direction rotation	Admissible Temperature
V	Hz	W	A	µF	m³/h	RPM	dBA	↻	Min/Max
120	50	167	1,4	25,0	1470	2805		R	-40°C / +70°C
120	60	235	1,99	25,0	1690	3210		R	-40°C / +70°C
120	50				865 CFM				-40°F / 158°F
120	60				994 CFM				-40°F / 158°F



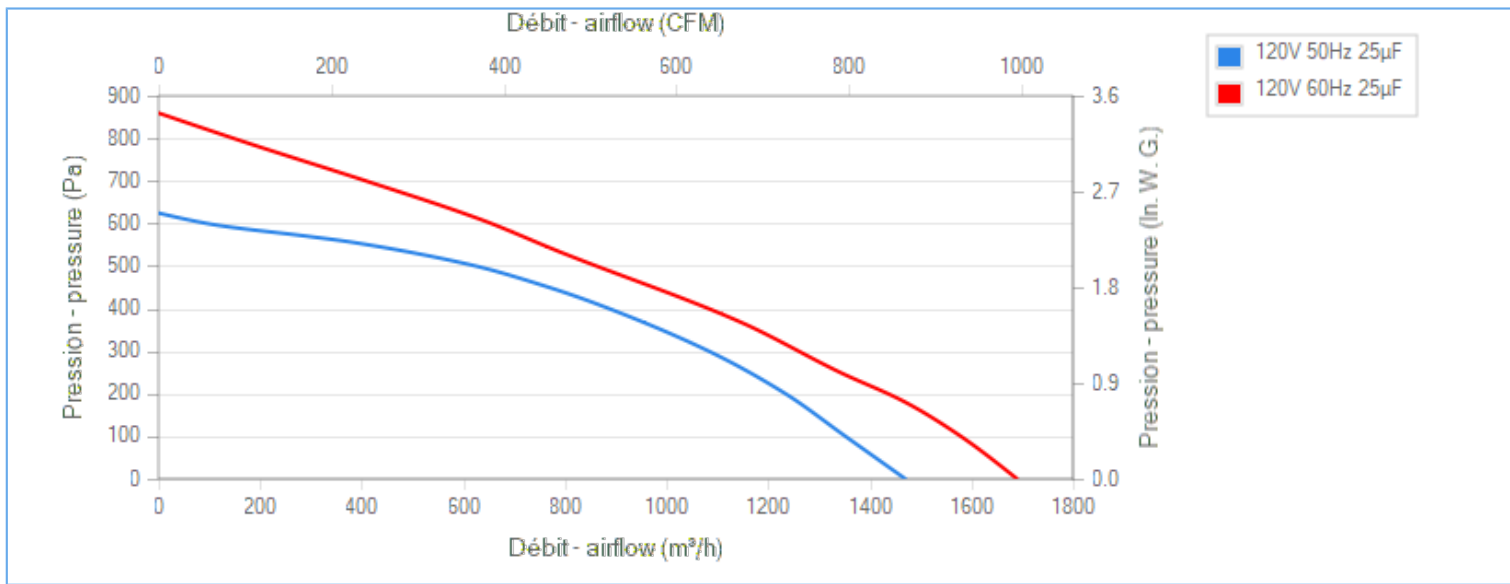
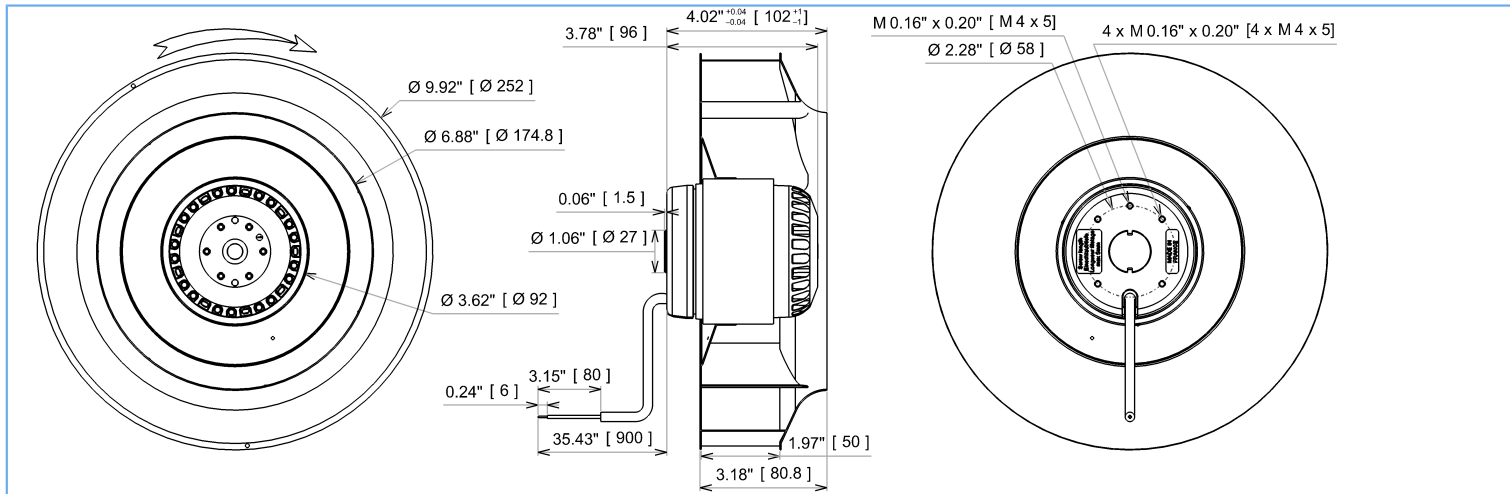
dBA : free blowing

ErP 2013

OK

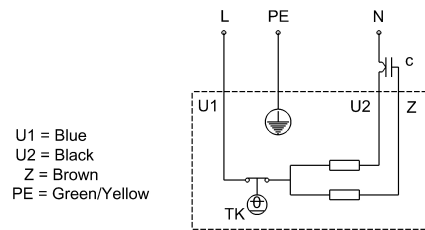
ErP 2015

NOK



Description

- .Weight : 3,1 Kg
- .Ball bearing
- .Class F, thermally protected
- .IP44 protection depending on installation and position as per EN60034-5
- .G2.5 balancing
- .Rotor : black paint
- .Galvanized steel impeller
- .Motor - UL Recognized component





2RREu45 250x50R (120V) N06-B2 p

DATA SHEET

release. 0 - Revision 06-2019

Data in accordance to ErP directive

Voltage	120	V
Frequency	50	Hz
Power	0,230	kW ⁽¹⁾
Airflow	876	m ³ /h ⁽¹⁾
Pressure	405	Pa ⁽¹⁾
Rotation speed	2616	RPM ⁽¹⁾

(1) at optimal efficiency point

Accessories

- 19257
- 19257
- 16234
- 21360

Measurement setup

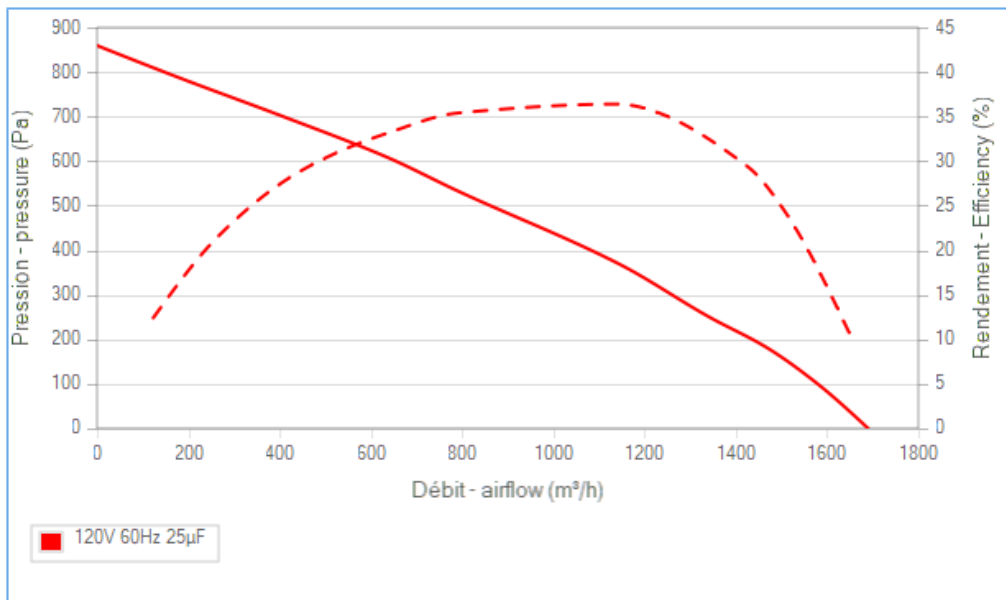
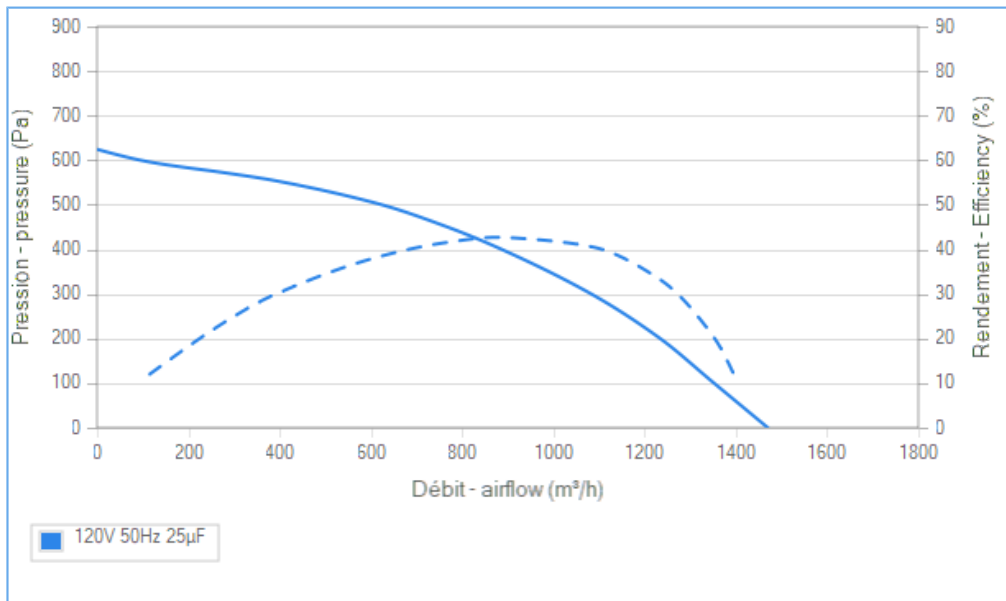
- 16234

Documents

- Manuel d'utilisation
www.ecofit.com/site/normes
- Operating and recycling manual
www.ecofit.com/anglais/normes



UL2111 (XEW2,8)
N° file E135223
2RS945



Non contractual document. All specifications are subject to change without prior notice. Picture for information only.