

# Technical data sheet

Revision a  
Revision 12/2022

**ECOFIT**

by

**rosenberg**  
THE AIR MOVEMENT GROUP  
VENDOME

Model  
**N06-B1 p**

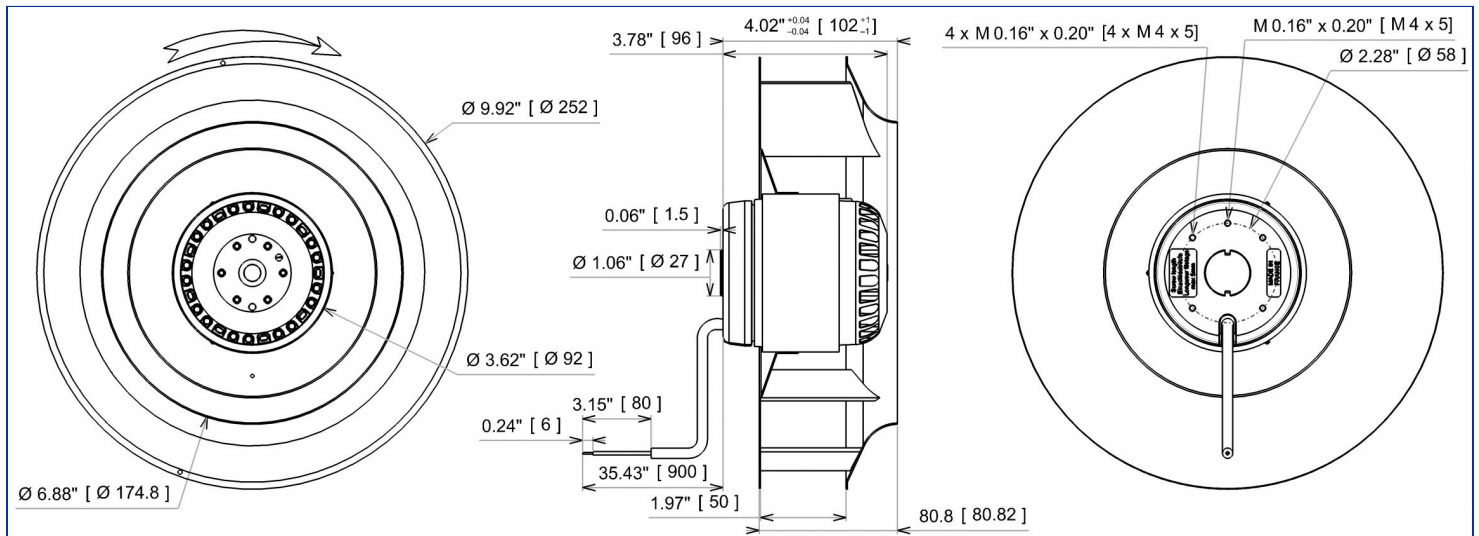


Designation **2RREu45 250x50R**

Range Backward curved centrifugal fans with single phase asynchronous motor

## ELECTRICAL DATA

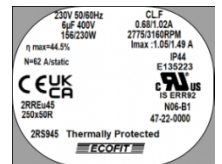
Speed		
Tension (V)	230	230
Frequency (Hz)	50	60
Current (A)	0.68	1.02
Maximum current (A)	1.05	1.49
Power (W)	156	230
Maximum power (W)	214	303
Rotation (RPM)	2775	3160
Cos Φ	0.997	0.980
Temperature min/max (°C)	-40/+70	-40/+70
Capacitor (µF)	6.00	6.00
U_condo (V)	400	400



## MARKING & STANDARDS

### Conformity

- **CE**
- **UKCA**
- **UL 2RS945 2111 REC92 MonoPhase (XEW2,8)**  
File number E135223



The product is manufactured in accordance with EN 60335-1, UL2111, and RoHS directive 2015/863/CE  
IP class according to EN 60034-5 to be checked with operation and installation

Issued: 2022-12-02 at 09:30 Documentations and pictures are non contractual, all the data of the technical file and the drawing are subject to change.

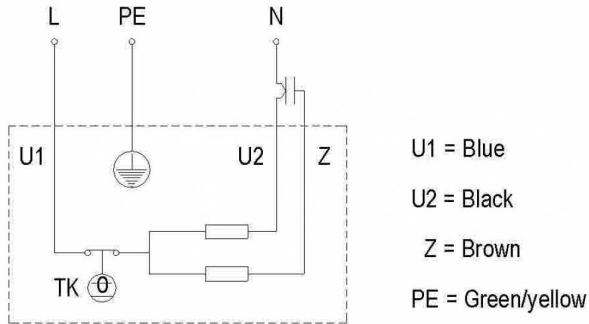
EN - Page 1 / 4

TECHNICAL DATA

Description

- Weight: 3.10 kg
- With Condensat Drain Holes
- Class F
- Protection level: 44 | Protection against ingress of solid with diameter  $\geq 1$  mm / Protection against ingress of water : splashing
- Motor's protection T150° C UL Automatic reset
- Bearing type: 2 ball bearings 608ZZ + 6000ZZ
- Balance level: G2.5

Wiring diagram



Finishes

- Rotor : black paint
- Galvanized steel impeller
- Motor - UL Recognized component

The product is manufactured in accordance with EN 60335-1, UL2111, and RoHS directive 2015/863/CE  
IP class according to EN 60034-5 to be checked with operation and installation

Issued: 2022-12-02 at 09:30 Documentations and pictures are non contractual, all the data of the technical file and the drawing are subject to change.

EN - Page 2 / 4



by



ADDITIONAL DATA

Accessories

- 19221 | Capacitor
- 16234 | Inlet cone
- 21360 | Finger guard

Documentations

- Operating and recycling manual  
<http://www.ecofit.com/anglais/normes>

Measurement setup

- Ouie 16234-0 Ouie 250R69

ERP DATA

Data according to ErP directive

- Designed for standard applications according to the directive EU 2009/125/EC

Tension	230 V
Frequency	50 Hz
Power <sup>1</sup>	0.212 kW
Airflow <sup>1</sup>	949 m3/h
Pressure <sup>1</sup>	357 Pa
Rotation <sup>1</sup>	2620 RPM
Catégorie de mesure	A
Catégorie de rendement	total
Variateur de vitesse	No
Rapport spécifique	1.00

	Actual	2015
Rendement global	44.5	44.4
Niveau de rendement	62	62

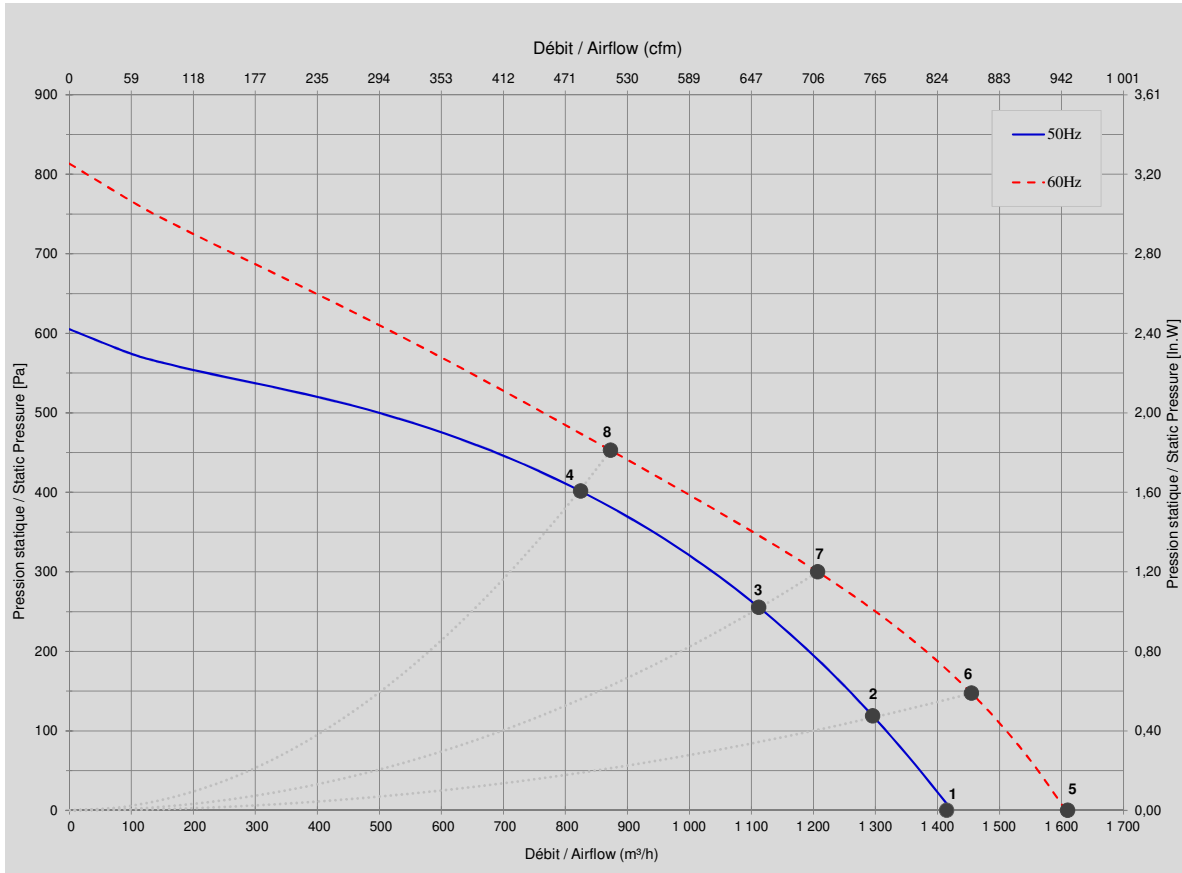
<sup>1</sup> at optimum energy efficiency point

The product is manufactured in accordance with EN 60335-1, UL2111, and RoHS directive 2015/863/CE  
IP class according to EN 60034-5 to be checked with operation and installation

Issued: 2022-12-02 at 09:30 Documentations and pictures are non contractual, all the data of the technical file and the drawing are subject to change.

EN - Page 3 / 4

TECHNICAL DATA



Mesures / Measured Values \*

	Un (V)	F (Hz)	C (µF)	P (W)	n (RPM)	Q (m³/h)	P (Pa)	Q (cfm)	P (In.W)	Lp <sub>n</sub> (dBA)
1	230	50	6	156	2775	1 415	0	833	0,000	73,0
2	230	50	6	175	2733	1 296	119	763	0,475	72,0
3	230	50	6	198	2656	1 112	255	655	1,023	70,0
4	230	50	6	214	2614	825	401	486	1,608	66,0
5	230	60	6	230	3160	1 610	0	948	0,000	77,0
6	230	60	6	252	3065	1 455	147	856	0,590	75,0
7	230	60	6	285	2880	1 207	300	710	1,201	72,0
8	230	60	6	304	2782	873	453	514	1,814	68,0

\* Air performance measured according to: ISO 5801, installation category C.  
Intake-side sound level: according to ISO 3744, LpA measured at 1 m distance from fan axis. The values given are only applicable under the specified measuring conditions and may differ depending on the installation conditions. In the event of deviation

The product is manufactured in accordance with EN 60335-1, UL2111, and RoHS directive 2015/863/CE  
IP class according to EN 60034-5 to be checked with operation and installation

Issued: 2022-12-02 at 09:30 Documentations and pictures are non contractual, all the data of the technical file and the drawing are subject to change.