



2RREu25 220x45R (Inv)

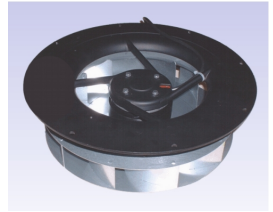
C36-B4 p



DATA SHEET

release. h - Revision 07-2016

Voltage	Frequency	Input Power	Input Current	Capacitor	Airflow	Rotation speed	Acoustic level	Direction rotation	Admissible Temperature
V	Hz	W	A	µF	m³/h	RPM	dBA		Min/Max
230	50	90	0,44	3,0	790	2710	70	R	-40°C / +70°C
230	60	115	0,51	3,0	910	3085	73	R	-40°C / +70°C
230	50				465 CFM				-40°F / 158°F
230	60				535 CFM				-40°F / 158°F



dBA : free blowing

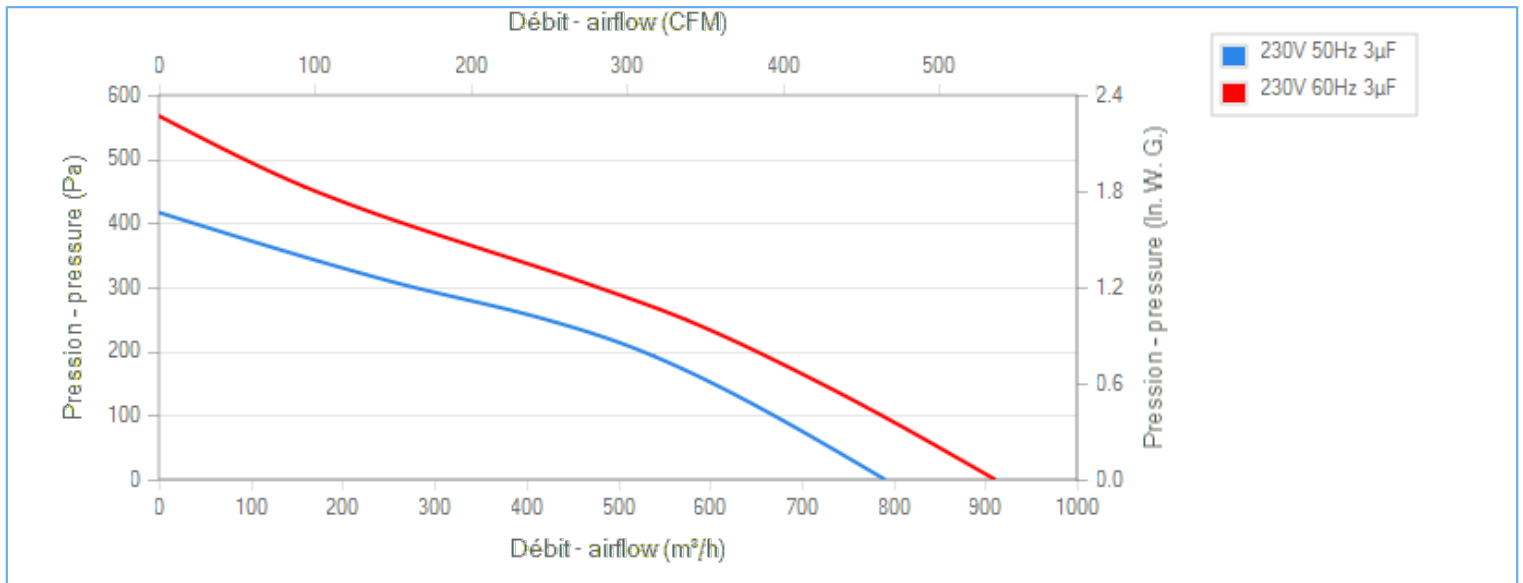
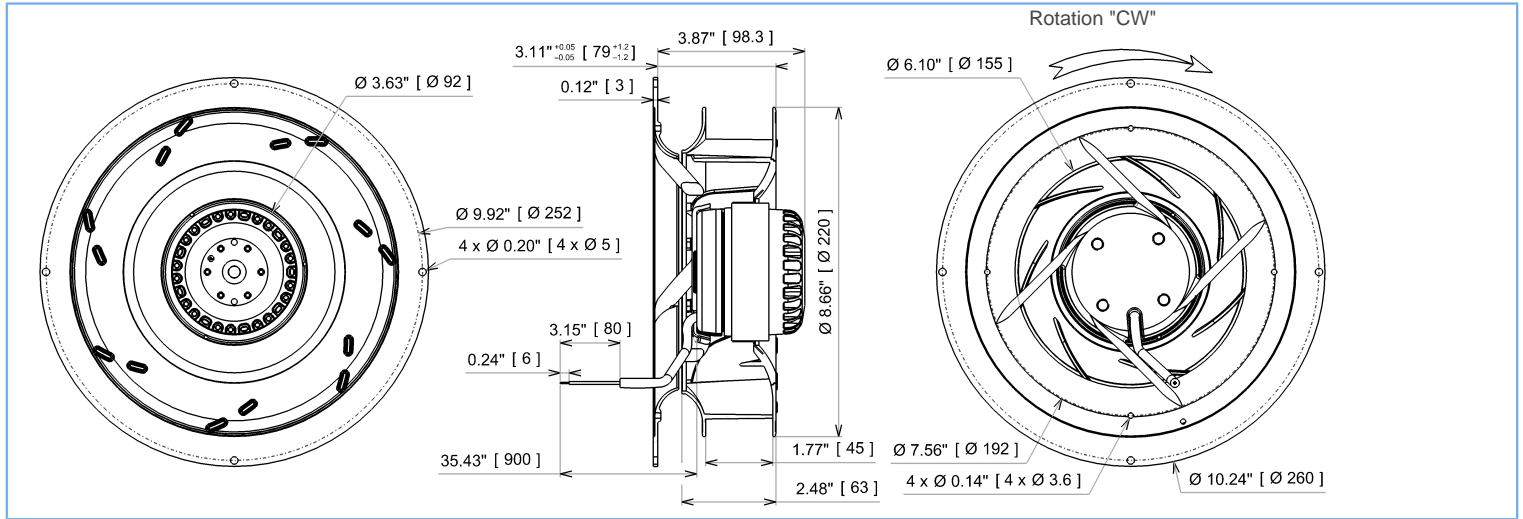
NA : not applicable

ErP 2013

NA

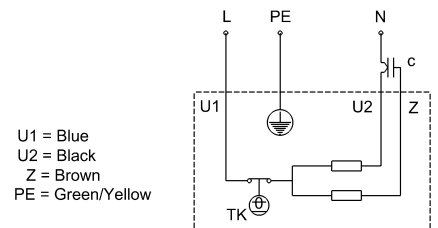
ErP 2015

NA



Description

- .Weight : 2,4 Kg
- .Ball bearing
- .Class F, thermally protected
- .IP44 protection depending on installation and position as per EN60034-5
- .G2.5 balancing
- .PA 6/6 UL 94 V-0 plastic impeller
- .Rotor : black paint
- .Black painted aluminium reversed-inletcone
- .Motor - UL Recognized component



Non contractual document. All specifications are subject to change without prior notice. Picture for information only.



2RREu25 220x45R (Inv)

C36-B4 p



DATA SHEET

release. h - Revision 07-2016

Data in accordance to ErP directive

Voltage	230	V
Frequency	50	Hz
Power	0,105	kW ⁽¹⁾
Airflow	527	m ³ /h ⁽¹⁾
Pressure	200	Pa ⁽¹⁾
Rotation speed	2601	RPM ⁽¹⁾

(1) at optimal efficiency point

ErP directive (EU 2009/125/EC) not applicable :
Power at optimum energy efficiency point

Accessories

- 19219
- 19219
- 21194

Measurement setup

- 16133 Ouie OJ150 Galva

Documents

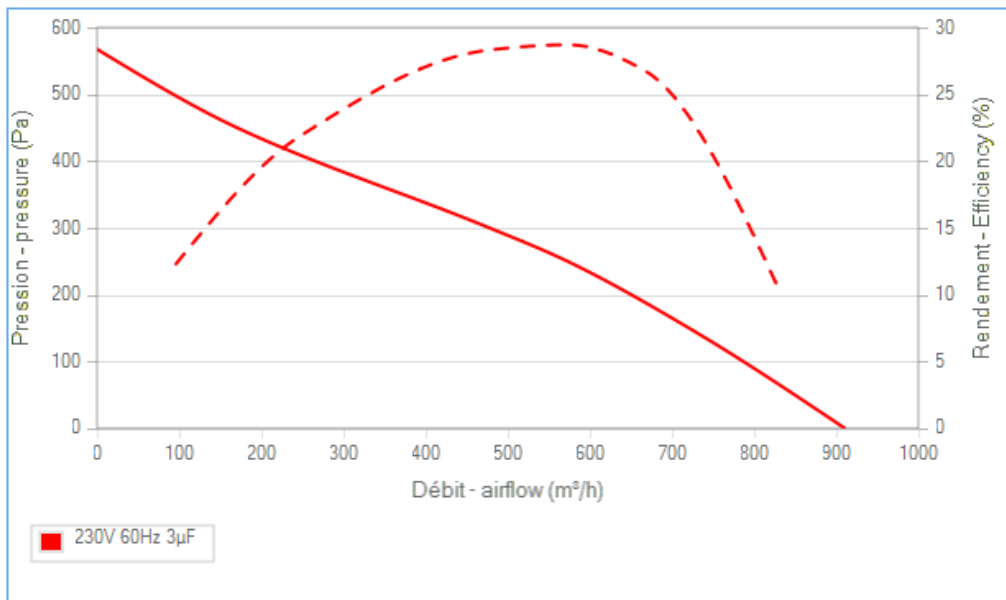
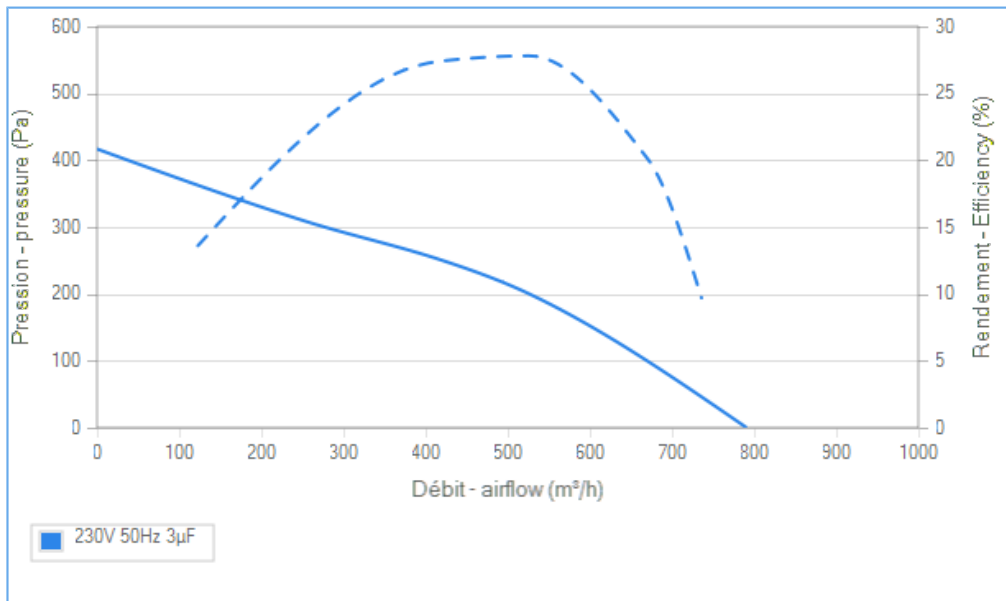
- Manuel d'utilisation
www.ecofit.com/site/normes
- Operating and recycling manual
www.ecofit.com/anglais/normes



UL2111 (XEWR2,8)
N° file E135223
2RS925



A041865
2RS925CN



Non contractual document. All specifications are subject to change without prior notice. Picture for information only.