

Technical data sheet

Revision f
Revision 11/2022

ECOFIT

by

rosenberg
THE AIR MOVEMENT GROUP
VENDOME

Model
C25-A0 p

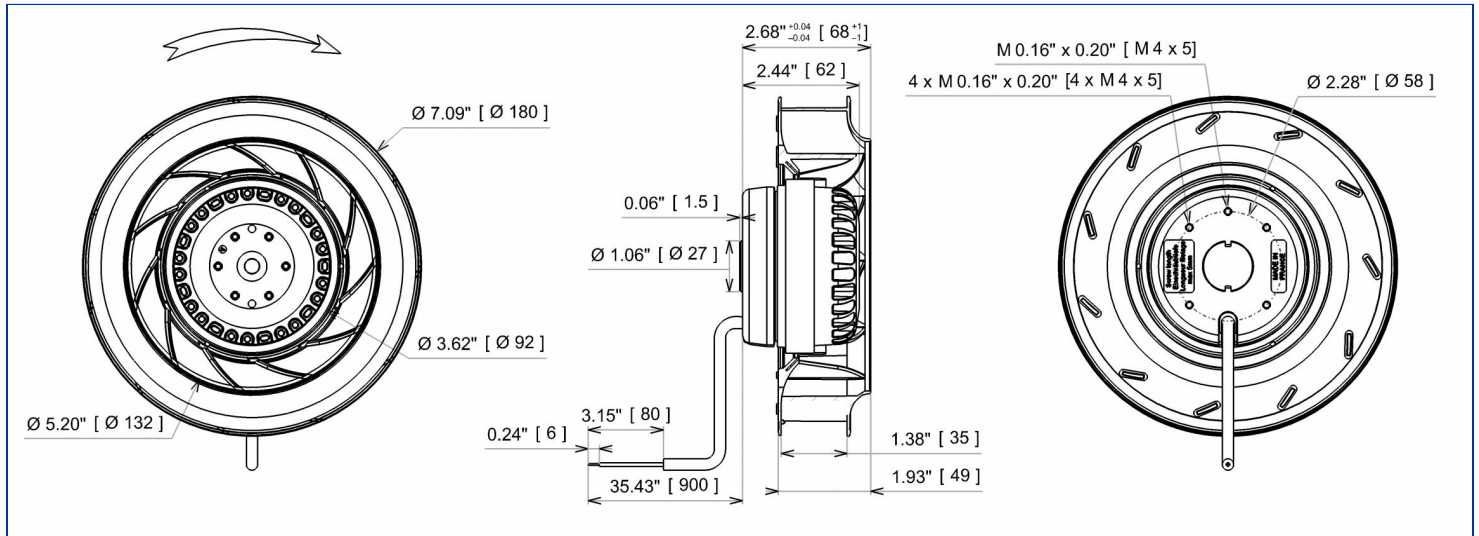


Designation **2RREu15 180x35R**

Range Backward curved centrifugal fans with single phase asynchronous motor

ELECTRICAL DATA

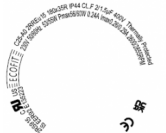
Speed	GV	GV
Tension (V)	230	230
Frequency (Hz)	50	60
Current (A)	0.24	0.24
Maximum current (A)	0.26	0.29
Power (W)	53	55
Maximum power (W)	56	60
Rotation (RPM)	2600	2855
Cos Φ	0.960	0.996
Temperature min/max (°C)	-40/+70	-40/+70
Capacitor (µF)	2.00	1.50
U_condo (V)	400	400



MARKING & STANDARDS

Conformity

- CE
- UKCA
- UL 2RS915 2111 REC92 MonoPhase (XEW2,8)
File number E135223



The product is manufactured in accordance with EN 60335-1, UL2111, and RoHS directive 2015/863/CE
IP class according to EN 60034-5 to be checked with operation and installation

Issued: 2022-11-22 at 09:40 Documentations and pictures are non contractual, all the data of the technical file and the drawing are subject to change.

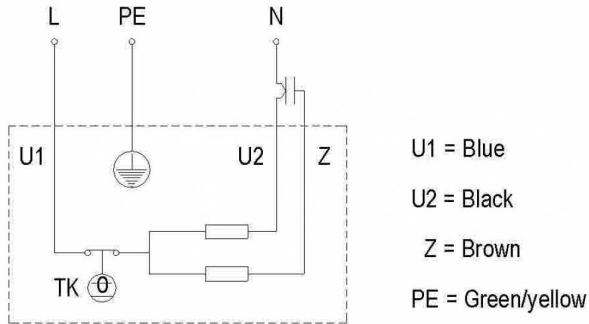
EN - Page 1 / 4

TECHNICAL DATA

Description

- Weight: 1.30 kg
- With Condensat Drain Holes
- Class F
- Protection level: 44 | Protection against ingress of solid with diameter ≥ 1 mm / Protection against ingress of water : splashing
- Motor's protection T150° C UL Automatic reset
- Bearing type: 2 ball bearings 608ZZ
- Balance level: G2.5

Wiring diagram



Finishes

- Rotor : black paint
- PA 6/6 UL 94 V-0 plastic impeller
- Motor - UL Recognized component

The product is manufactured in accordance with EN 60335-1, UL2111, and RoHS directive 2015/863/CE
IP class according to EN 60034-5 to be checked with operation and installation

Issued: 2022-11-22 at 09:40 Documentations and pictures are non contractual, all the data of the technical file and the drawing are subject to change.

EN - Page 2 / 4

ADDITIONAL DATA

Accessories

- 19208 | Capacitor
- 19217 | Capacitor
- 21181 | Finger guard
- 16043 | Inlet cone

Documentations

- Operating and recycling manual
<http://www.ecofit.com/anglais/normes>

Measurement setup

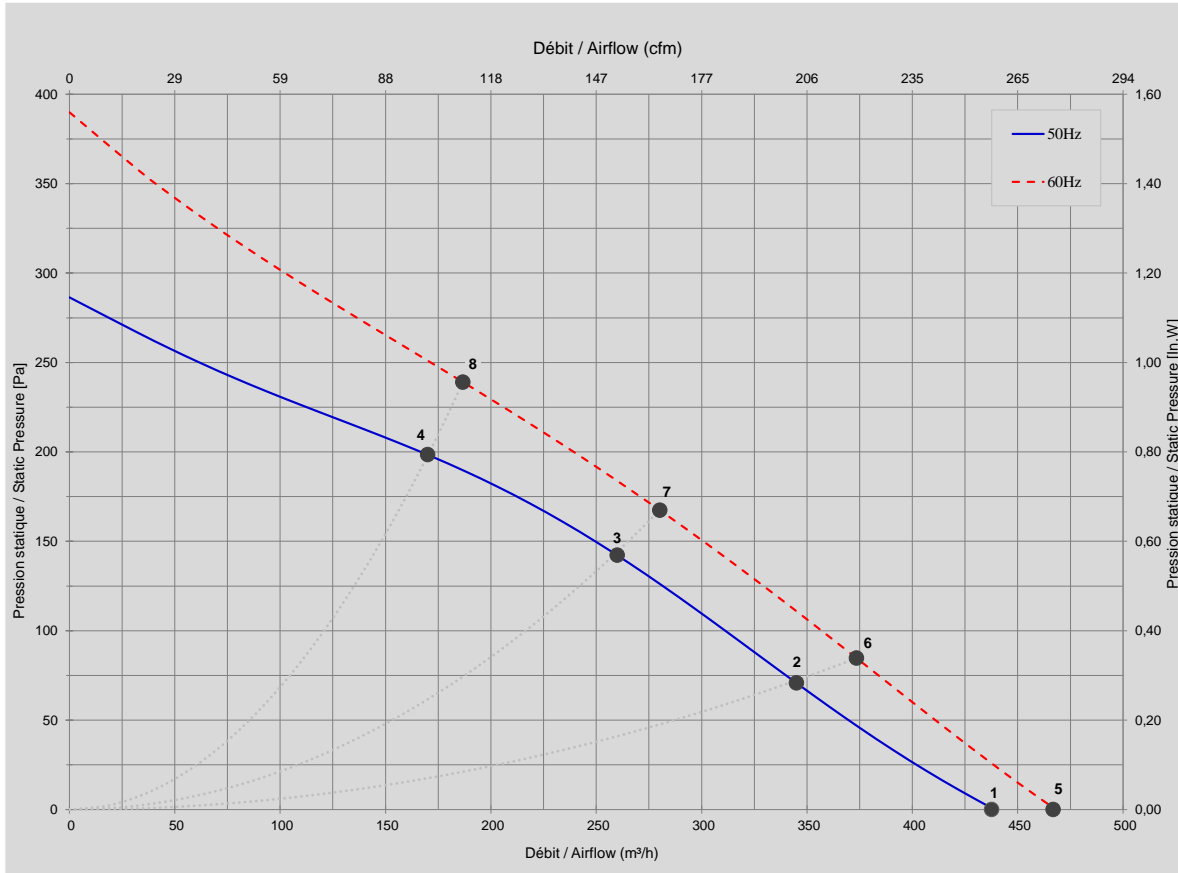
- Ouie 16043-a OUIE OG128 H13 Galva

ERP DATA

ErP Directive ErP (EU 2009/125/EC) not applicable:

- Power at optimum energy efficiency point <125W

TECHNICAL DATA



Mesures / Measured Values *

	Un (V)	F (Hz)	C (µF)	P (W)	n (RPM)	Q (m³/h)	P (Pa)	Q (cfm)	P (In.W)	Lp _m (dBA)
1	230	50	2	53	2600	438	0	258	0,000	71
2	230	50	2	55	2561	345	71	203	0,283	65
3	230	50	2	56	2541	260	142	153	0,569	62
4	230	50	2	54	2570	170	198	100	0,795	61
5	230	60	1,5	55	2855	467	0	275	0,000	72
6	230	60	1,5	59	2773	374	85	220	0,339	67
7	230	60	1,5	60	2740	280	167	165	0,671	63
8	230	60	1,5	58	2813	187	239	110	0,958	64

* Air performance measured according to: ISO 5801, installation category C.
Intake-side sound level: according to ISO 3744, LpA measured at 1 m distance from fan axis. The values given are only applicable under the specified measuring conditions and may differ depending on the installation conditions. In the event of deviation

The product is manufactured in accordance with EN 60335-1, UL2111, and RoHS directive 2015/863/CE
IP class according to EN 60034-5 to be checked with operation and installation