

Technical data sheet

Revision k
Revision 01/2023

ECOFIT

by

rosenberg
THE AIR MOVEMENT GROUP
VENDOME

Model
Q11-05 p

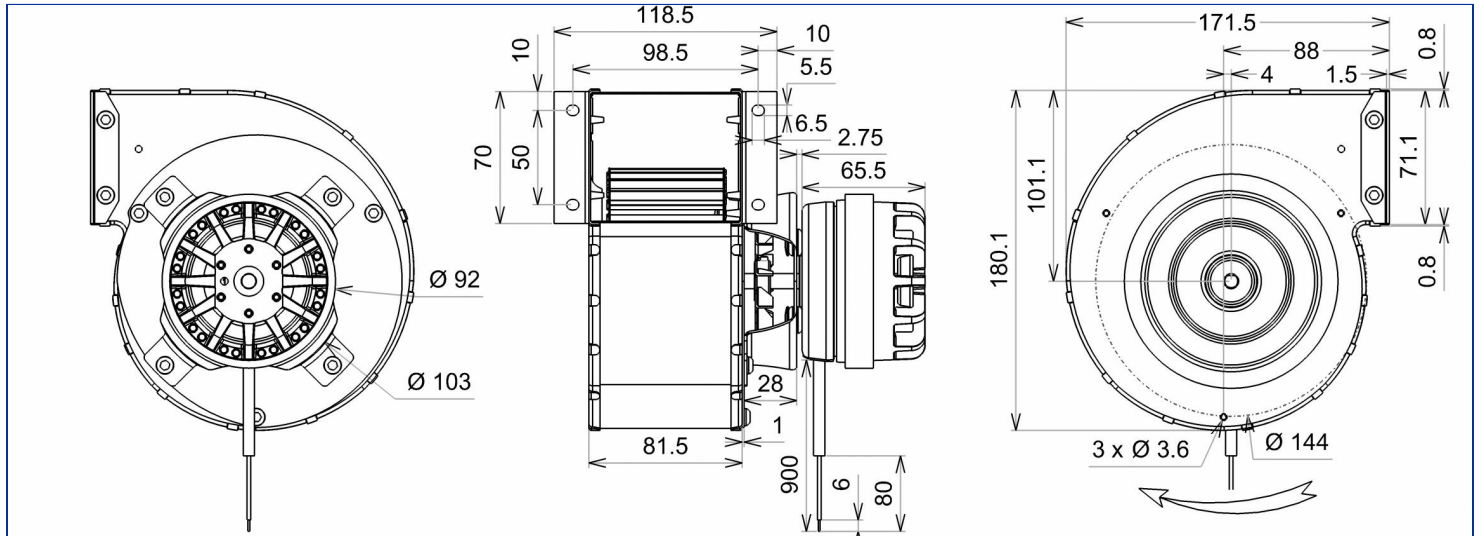


Designation **2GTA15 120x62R**

Range Fans for hot gases with single phase asynchronous motor

ELECTRICAL DATA

Speed		
Tension (V)	230	230
Frequency (Hz)	50	60
Current (A)	0.30	0.35
Maximum current (A)	0.33	0.39
Power (W)	68	80
Maximum power (W)	68	81
Rotation (RPM)	1685	1700
Cos Φ	0.986	0.994
Temperature min/max (°C)	-20/+70	-20/+70
Capacitor (µF)	2.00	2.00
U_condo (V)	400	400



MARKING & STANDARDS

Conformity

- CE
- UKCA



The product is manufactured in accordance with EN 60335-1, and RoHS directive 2015/863/CE
IP class according to EN 60034-5 to be checked with operation and installation

Issued: 2023-01-24 at 08:39 Documentations and pictures are non contractual, all the data of the technical file and the drawing are subject to change.

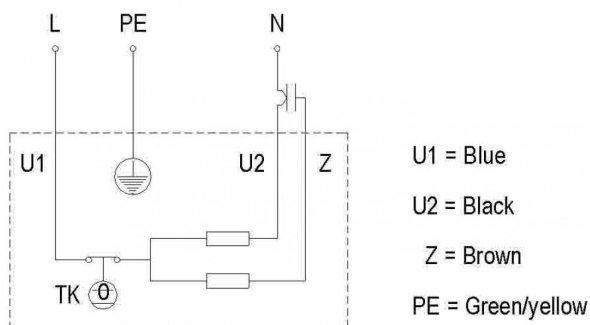
EN - Page 1 / 4

TECHNICAL DATA

Description

- Weight: 2.20 kg
- Without Condensat Drain Holes
- Class F
- Protection level: 20 | Protection against ingress of solid with diameter $\geq 12,5$ mm / No protection
- Motor's protection T150° C Automatic reset
- Bearing type: 2 ball bearings 608ZZ
- Balance level: G2.5

Wiring diagram



Finishes

- Galvanized steel scroll housing

The product is manufactured in accordance with EN 60335-1, and RoHS directive 2015/863/CE
IP class according to EN 60034-5 to be checked with operation and installation

Issued: 2023-01-24 at 08:39 Documentations and pictures are non contractual, all the data of the technical file and the drawing are subject to change.

EN - Page 2 / 4



by



ADDITIONAL DATA

Accessories

- 19008 | Capacitor
- 21236 | Finger guard

Documentations

- Operating and recycling manual
<http://www.ecofit.com/anglais/normes>

Measurement setup

- Scroll 15183-0

ERP DATA

ErP Directive ErP (EU 2009/125/EC) not applicable:

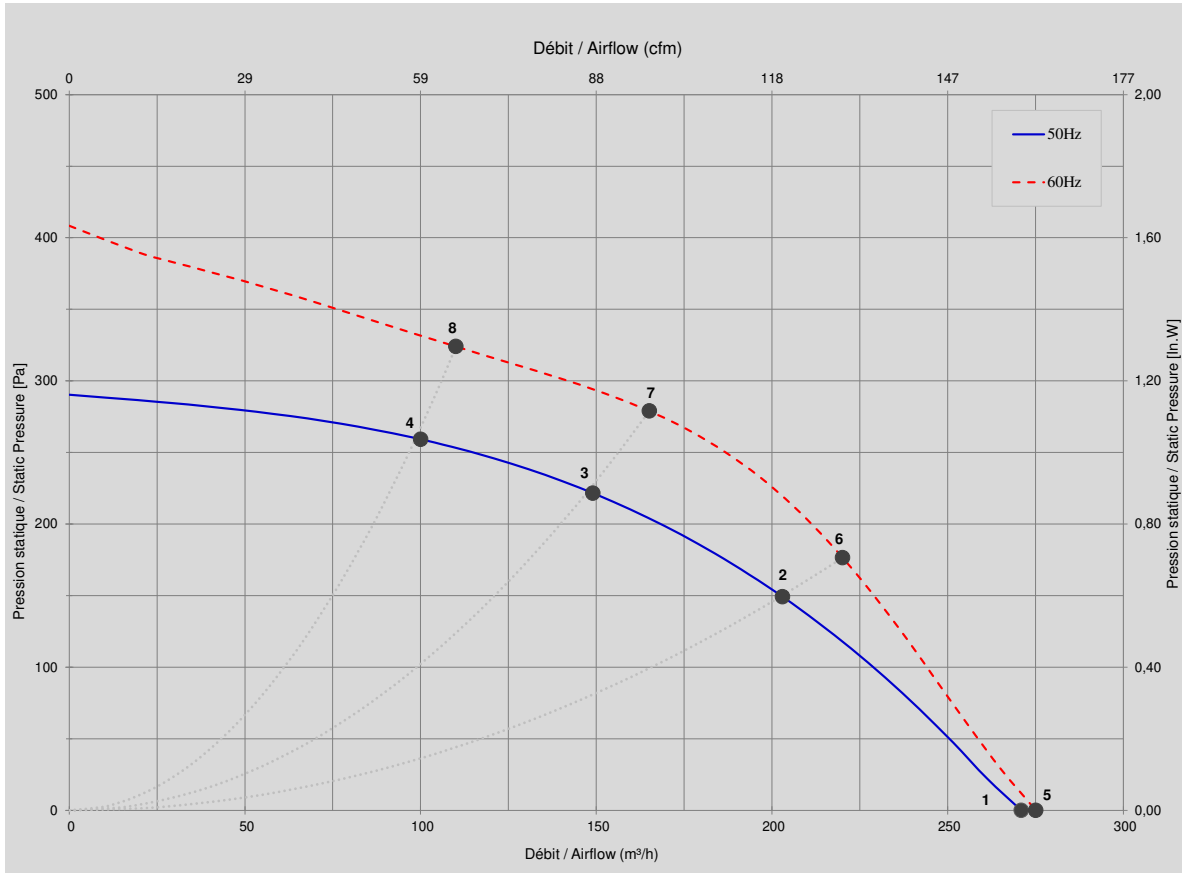
- Power at optimum energy efficiency point <125W

*The product is manufactured in accordance with EN 60335-1, and RoHS directive 2015/863/CE
IP class according to EN 60034-5 to be checked with operation and installation*

Issued: 2023-01-24 at 08:39 Documentations and pictures are non contractual, all the data of the technical file and the drawing are subject to change.

EN - Page 3 / 4

TECHNICAL DATA



Mesures / Measured Values *

	Un (V)	F (Hz)	C (µF)	P (W)	n (RPM)	Q (m³/h)	P (Pa)	Q (cfm)	P (In.W)	Lp _n (dBA)
1	230	50	2	68	1685	271	0	159	0,000	
2	230	50	2	64	2082	203	149	119	0,598	
3	230	50	2	59	2305	149	222	88	0,888	
4	230	50	2	55	2466	100	259	59	1,039	
5	230	60	2	80	1700	275	0	162	0,000	
6	230	60	2	76	2223	220	177	130	0,707	
7	230	60	2	71	2554	165	279	97	1,118	
8	230	60	2	65	2826	110	324	65	1,298	

* Air performance measured according to: ISO 5801, installation category C.
Intake-side sound level: according to ISO 3744, LpA measured at 1 m distance from fan axis. The values given are only applicable under the specified measuring conditions and may differ depending on the installation conditions. In the event of deviation

The product is manufactured in accordance with EN 60335-1, and RoHS directive 2015/863/CE
IP class according to EN 60034-5 to be checked with operation and installation