



2GREu15 133x49R

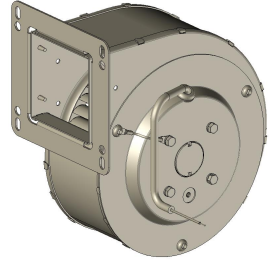
C45-D5 p



**DATA SHEET**

release. g - Revision 06-2019

Voltage	Frequency	Input Power	Input Current	Capacitor	Airflow	Rotation speed	Acoustic level	Direction rotation	Admissible Temperature
V	Hz	W	A	µF	m³/h	RPM	dBA		Min/Max
230	50	73	0,32	2,0	240	2015	57	R	-40°C / +70°C
230	60	89	0,39	2,0	240	1980	56	R	-40°C / +70°C
230	50				141 CFM				-40°F / 158°F
230	60				141 CFM				-40°F / 158°F



dBa : free blowing

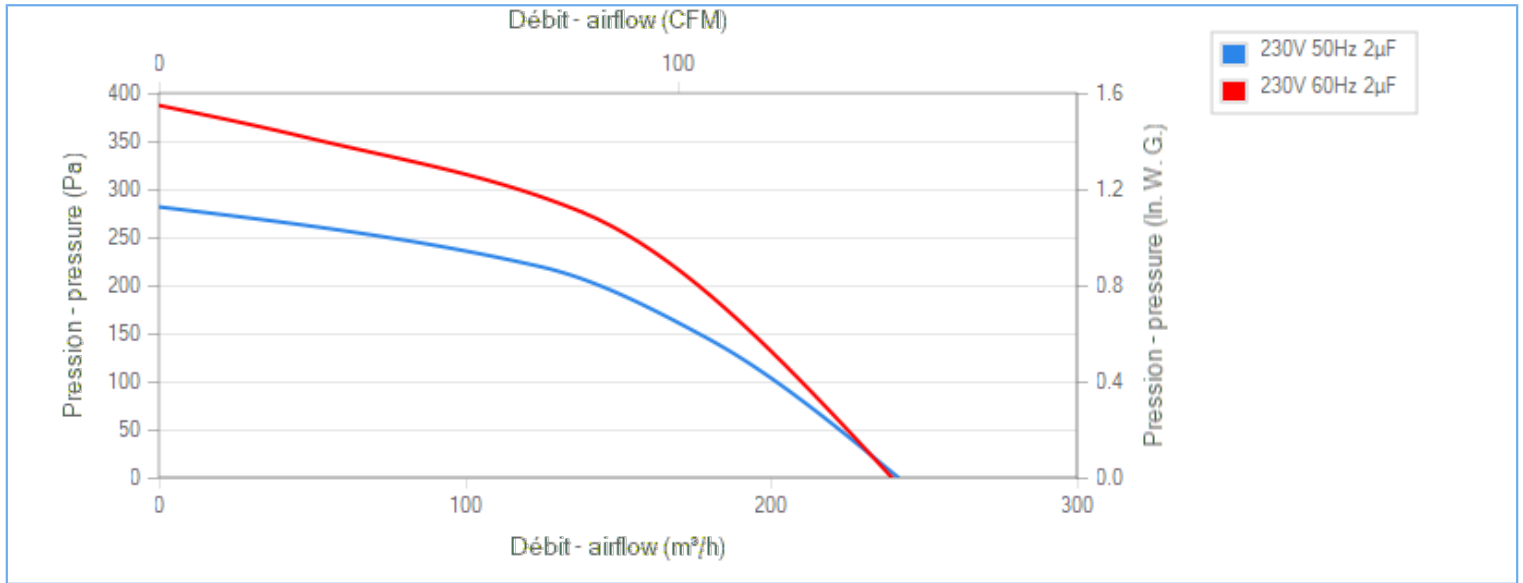
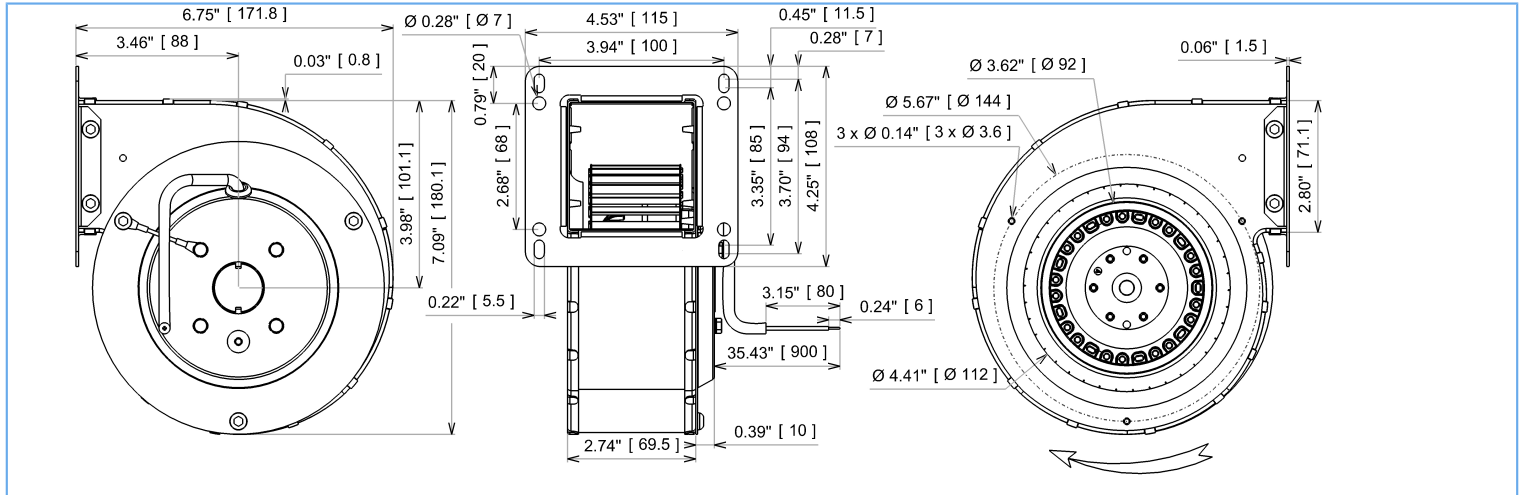
NA : not applicable

ErP 2013

NA

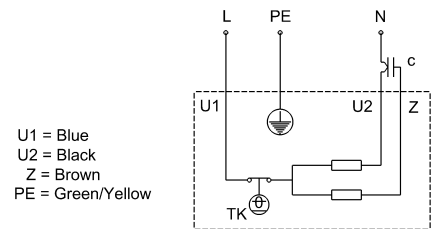
ErP 2015

NA



**Description**

- .Weight : 2,2 Kg
- .Ball bearing
- .Class F, thermally protected
- .IP44 protection depending on installation and position as per EN60034-5
- .G2.5 balancing
- .Galvanized steel impeller
- .Rotor : black paint
- .Scroll housing : black paint
- .Motor - UL Recognized component



Non contractual document. All specifications are subject to change without prior notice. Picture for information only.



2GREu15 133x49R

C45-D5 p



# DATA SHEET

release. g - Revision 06-2019

## Data in accordance to ErP directive

Voltage	230	V
Frequency	50	Hz
Power	0,056	kW <sup>(1)</sup>
Airflow	125	m <sup>3</sup> /h <sup>(1)</sup>
Pressure	219	Pa <sup>(1)</sup>
Rotation speed	2545	RPM <sup>(1)</sup>

(1) at optimal efficiency point

ErP directive (EU 2009/125/EC) not applicable :  
Power at optimum energy efficiency point

## Accessories

- 19217
- 19217
- 21236

## Measurement setup

Contact ECOFIT

## Documents

Manuel d'utilisation  
[www.ecofit.com/site/normes](http://www.ecofit.com/site/normes)

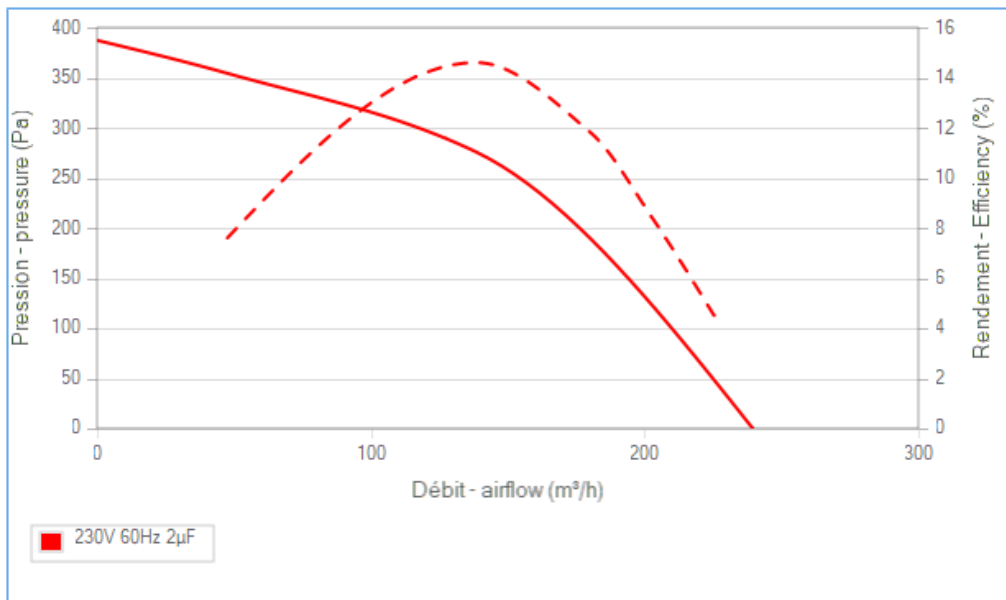
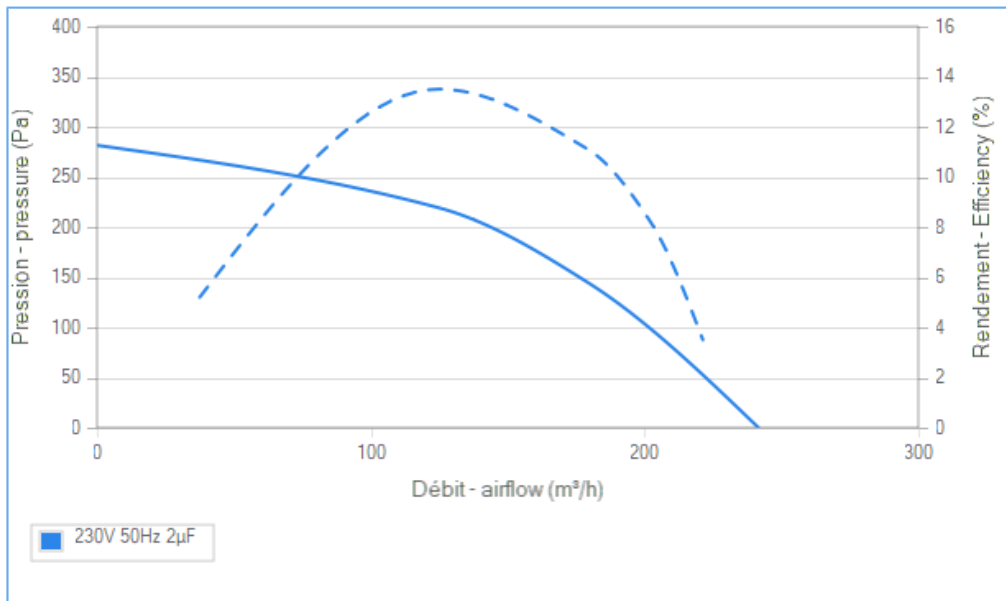
Operating and recycling manual  
[www.ecofit.com/anglais/normes](http://www.ecofit.com/anglais/normes)



UL2111 (XEW2,8)  
N° file E135223  
2RS915



A041865  
2RS915CN



Non contractual document. All specifications are subject to change without prior notice. Picture for information only.