



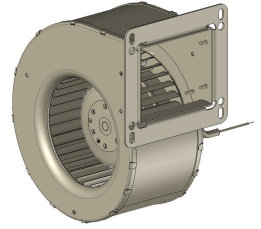
2GREu15 120x62R (115V) C48-A5 p



DATA SHEET

release. e - Revision 01-2018

Voltage	Frequency	Input Power	Input Current	Capacitor	Airflow	Rotation speed	Acoustic level	Direction rotation	Admissible Temperature	
V	Hz	W	A	µF	m³/h	RPM	dBA	↻	Min/Max	
115	50	69	0,64	6,0	275	2040	56	R	-40°C / +70°C	
115	60	83	0,76	6,0	282	2000	57	R	-40°C / +70°C	
115	50	161 CFM						-40°F / 158°F		
115	60	165 CFM						-40°F / 158°F		



dBa : free blowing

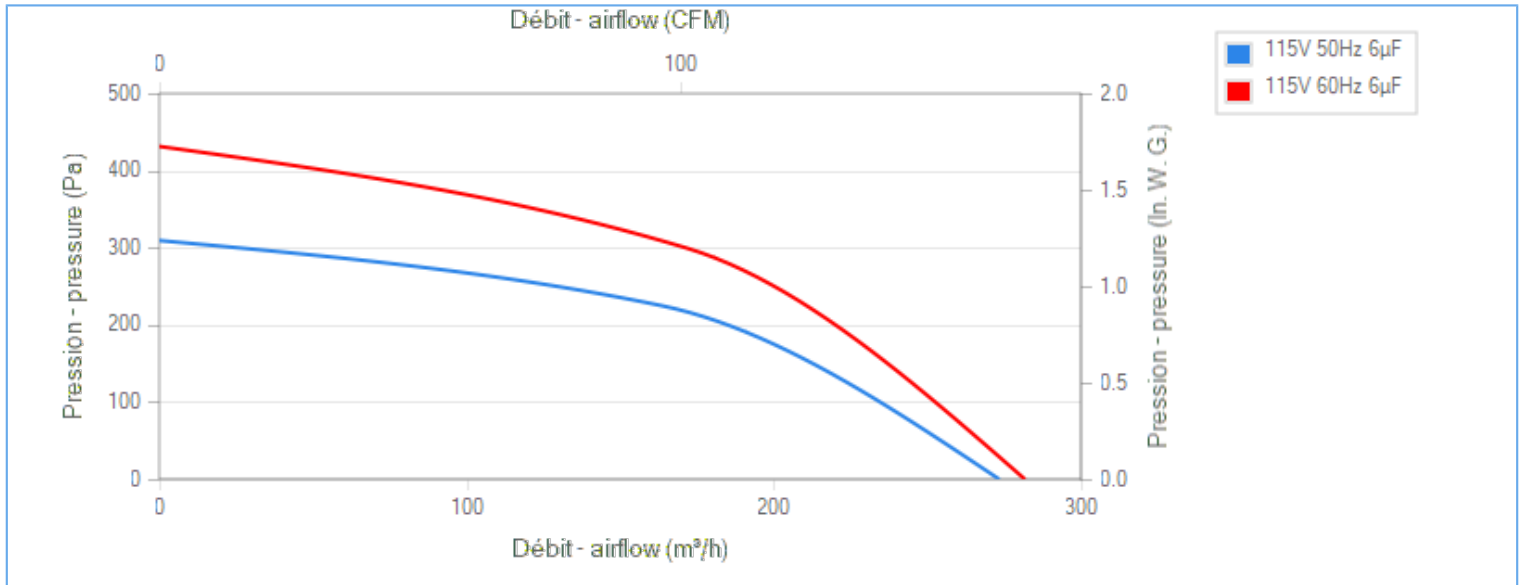
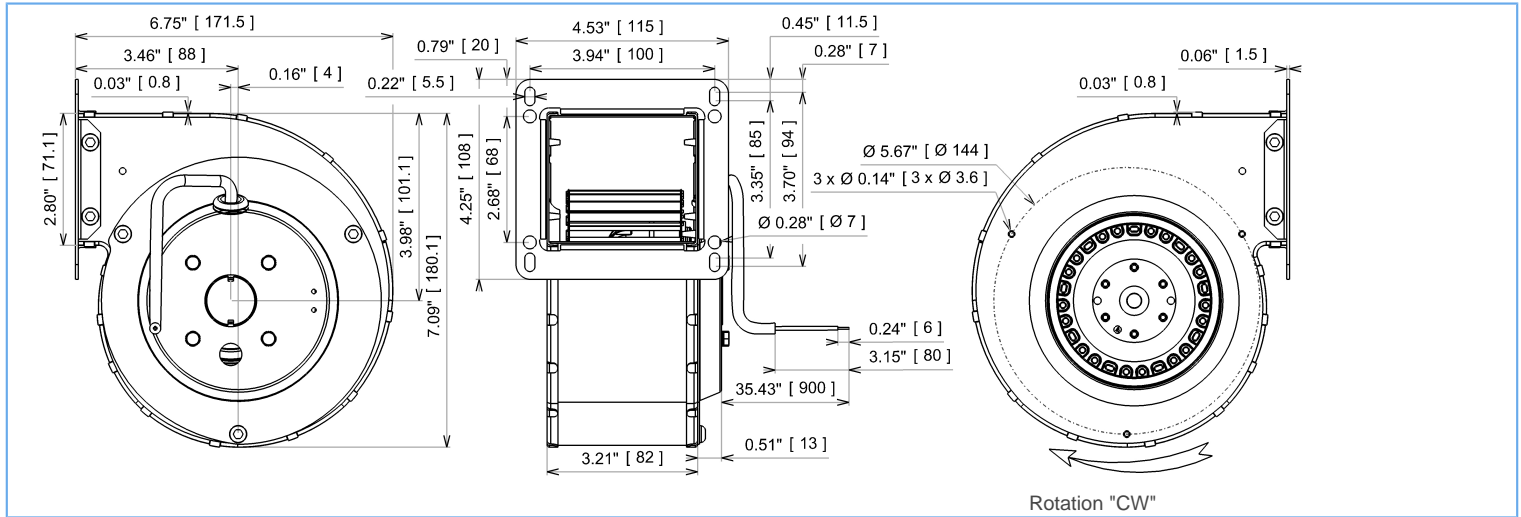
NA : not applicable

ErP 2013

NA

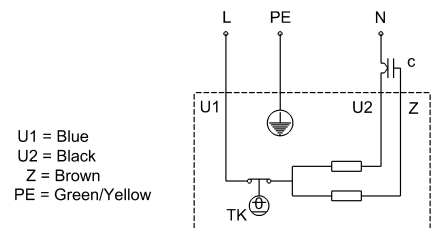
ErP 2015

NA



Description

- .Weight : 1,8 Kg
- .Ball bearing
- .Class F, thermally protected
- .IP44 protection depending on installation and position as per EN60034-5
- .G2.5 balancing
- .Galvanized steel impeller
- .Rotor : black paint
- .Scroll housing : black paint
- .Motor - UL Recognized component



Non contractual document. All specifications are subject to change without prior notice. Picture for information only.



DATA SHEET

release. e - Revision 01-2018

Data in accordance to ErP directive

Voltage	115	V
Frequency	50	Hz
Power	0,051	kW ⁽¹⁾
Airflow	164	m ³ /h ⁽¹⁾
Pressure	225	Pa ⁽¹⁾
Rotation speed	2563	RPM ⁽¹⁾
(1) at optimal efficiency point		

ErP directive (EU 2009/125/EC) not applicable :
Power at optimum energy efficiency point

Accessories

- 19221
- 19221
- 21236
- 16104

Measurement setup

Contact ECOFIT

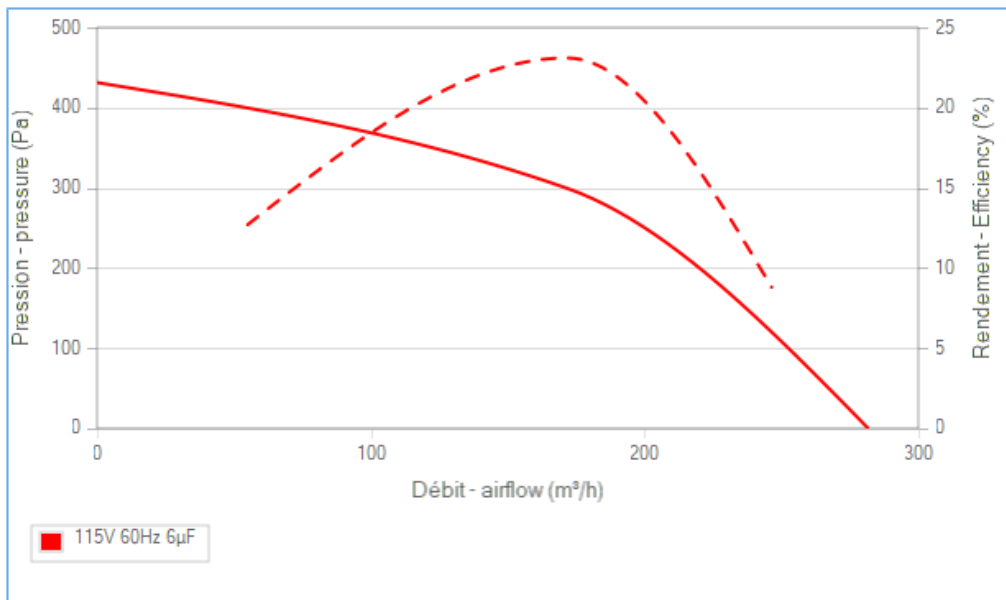
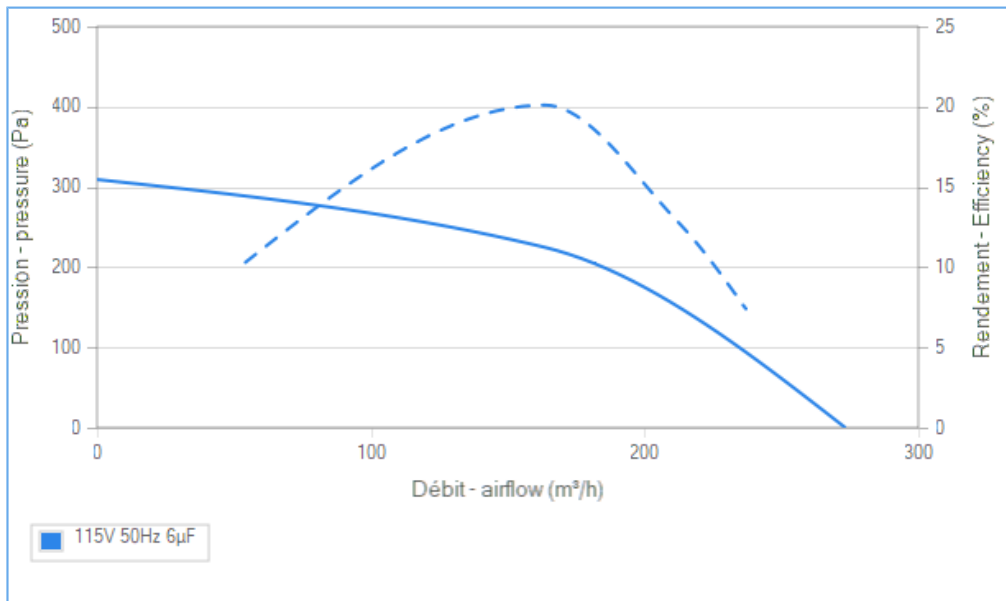
Documents

Manuel d'utilisation
www.ecofit.com/site/normes

Operating and recycling manual
www.ecofit.com/anglais/normes



UL2111 (XEWR2,8)
N° file E135223
2RS915



Non contractual document. All specifications are subject to change without prior notice. Picture for information only.