



2GDSu25 133x190R

C50-A8 p



**DATA SHEET**

release. d - Revision 02-2018

Voltage	Frequency	Input Power	Input Current	Capacitor	Airflow	Rotation speed	Acoustic level	Direction rotation	Admissible Temperature
V	Hz	W	A	µF	m³/h	RPM	dBA	↻	Min/Max
230	50	169	0,74	4,0	630	1355		R	-40°C / +60°C
230	60	177	0,77	4,0	560	1465		R	-40°C / +50°C
230	50				370 CFM				-40°F / 140°F
230	60				329 CFM				-40°F / 122°F



dBA : free blowing

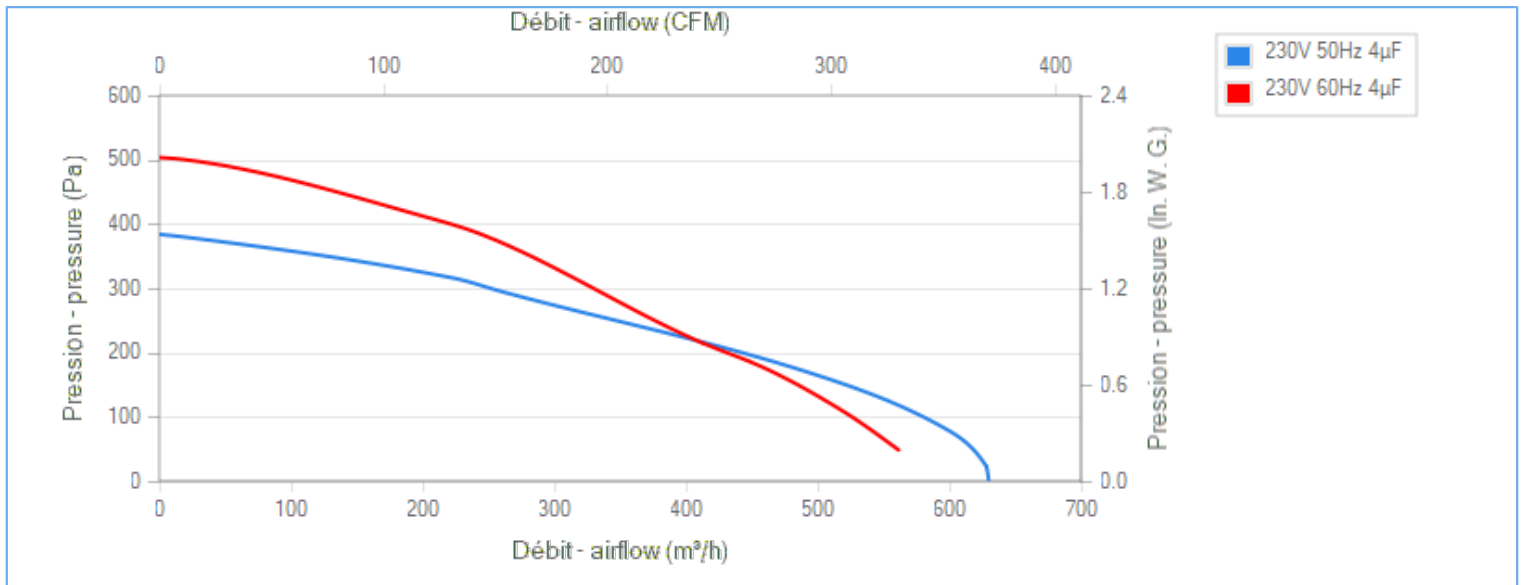
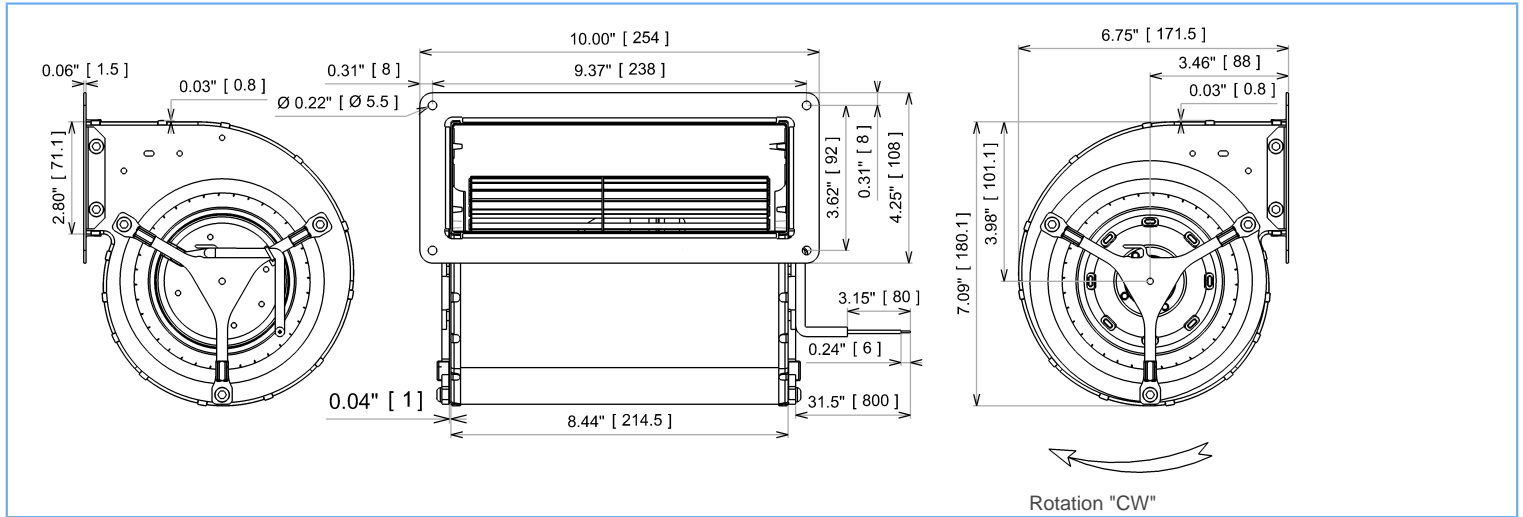
NA : not applicable

ErP 2013

NA

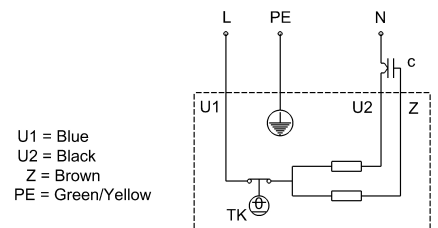
ErP 2015

NA



**Description**

- .Weight : 3,5 Kg
- .Ball bearing
- .Class F, thermally protected
- .IP44 protection depending on installation and position as per EN60034-5
- .G2.5 balancing
- .Scroll housing : black paint
- .Galvanized steel impeller
- .Motor - UL Recognized component



Non contractual document. All specifications are subject to change without prior notice. Picture for information only.



2GDSu25 133x190R

C50-A8 p



# DATA SHEET

release. d - Revision 02-2018

## Data in accordance to ErP directive

Voltage	230	V
Frequency	50	Hz
Power	0,104	kW <sup>(1)</sup>
Airflow	261	m <sup>3</sup> /h <sup>(1)</sup>
Pressure	294	Pa <sup>(1)</sup>
Rotation speed	2526	RPM <sup>(1)</sup>

(1) at optimal efficiency point

ErP directive (EU 2009/125/EC) not applicable :  
Power at optimum energy efficiency point

## Accessories

- 19220
- 19220
- 21236

## Measurement setup

Contact ECOFIT

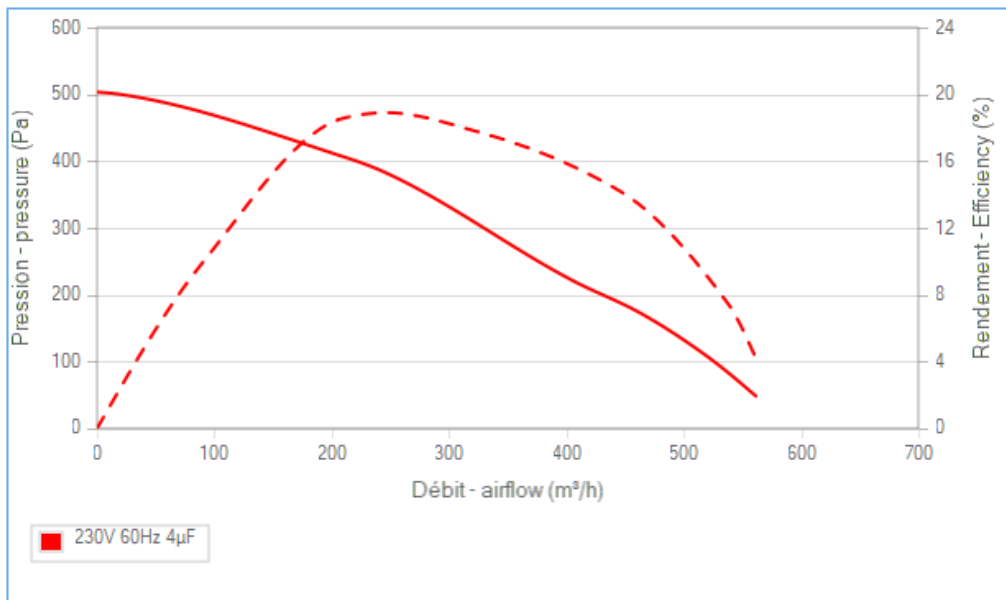
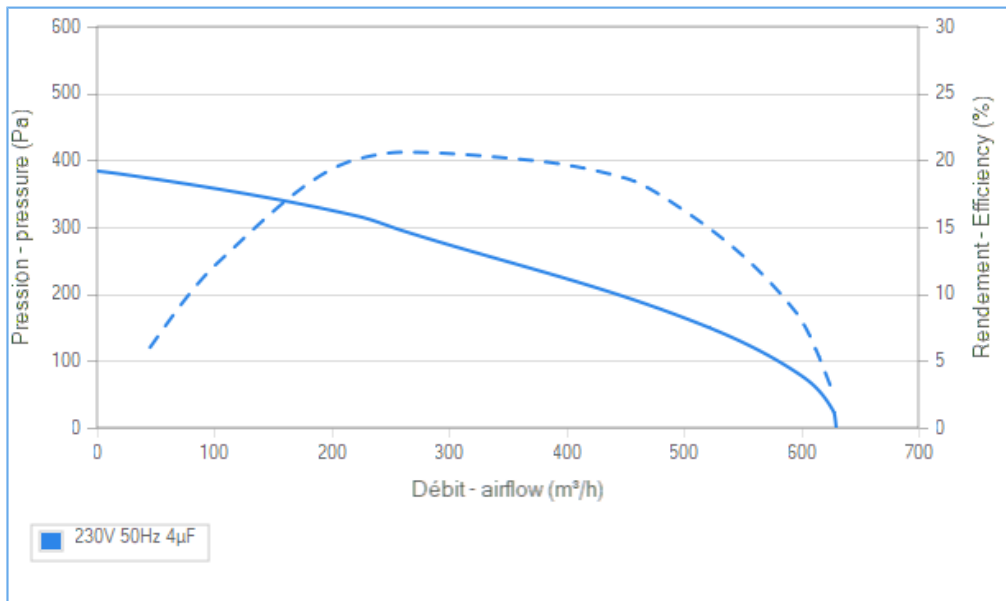
## Documents

Manuel d'utilisation  
[www.ecofit.com/site/normes](http://www.ecofit.com/site/normes)

Operating and recycling manual  
[www.ecofit.com/anglais/normes](http://www.ecofit.com/anglais/normes)



UL2111 (XEW2,8)  
N° file E135223  
2SS925



Non contractual document. All specifications are subject to change without prior notice. Picture for information only.