

Technical data sheet

Revision h
Revision 01/2024



by



Model
Z23-06

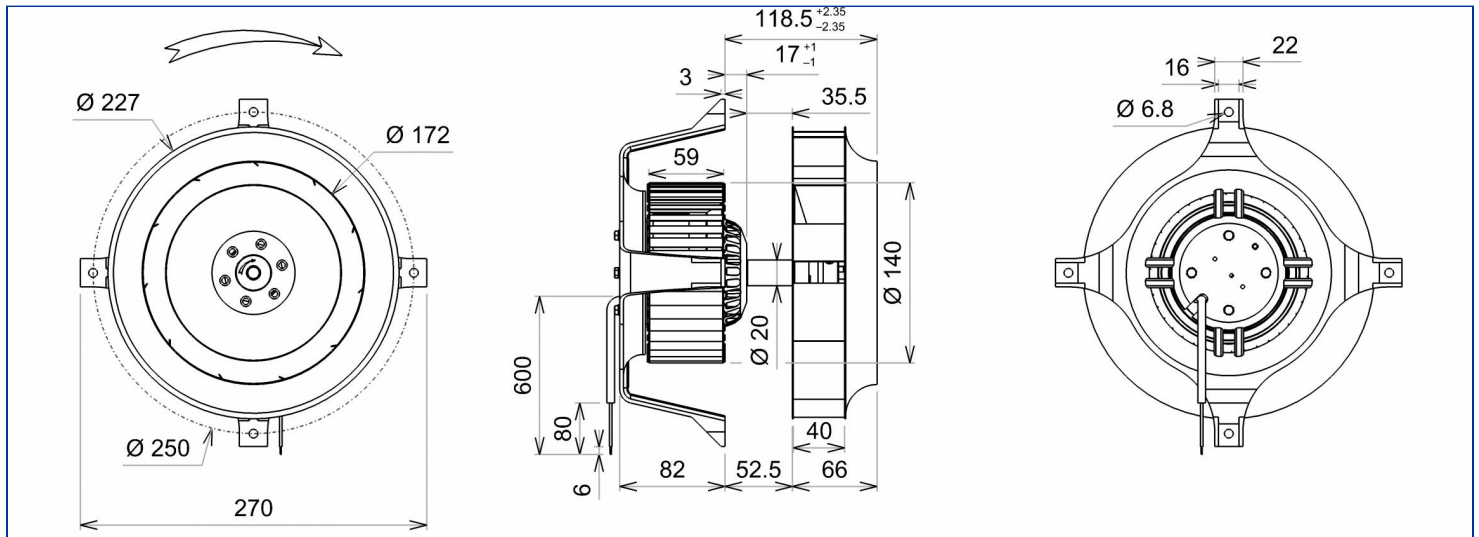


Designation **2DTRt45 225x40R**

Range Fans for hot gases with three phases motor

ELECTRICAL DATA

Speed		
Tension (V)	400	400
Frequency (Hz)	50	60
Current (A)	0.33	0.35
Maximum current (A)	0.41	0.46
Power (W)	141	190
Maximum power (W)	184	246
Rotation (RPM)	2755	3100
Cos Φ	0.617	0.784
Temperature min/max (°C)	-40/+70	-40/+70



MARKING & STANDARDS

Conformity

- CE
- UKCA



The product is manufactured in accordance with EN 60335-1, and RoHS directive 2015/863/CE
IP class according to EN 60034-5 to be checked with operation and installation

Issued: 2024-01-04 at 13:57 Documentations and pictures are non contractual, all the data of the technical file and the drawing are subject to change.

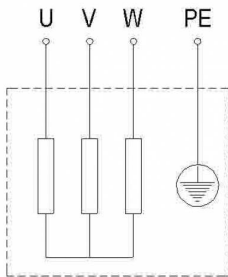
EN - Page 1 / 4

TECHNICAL DATA

Description

- Weight: 3.70 kg
- Without Condensat Drain Holes
- Class F
- Protection level: 54 | Protection against ingress of dust / Protection against ingress of water : splashing
- Motor's protection No thermal protection
- Bearing type: 2 ball bearings 608ZZ + 6000ZZ
- Balance level: G2.5

Wiring diagram



- U = Black
- V = Blue
- W = Brown
- PE = Green/Yellow

Finishes

- Impeller stainless
- Rotor : black paint
- DTR motor prop cast in aluminium
- Maximum temperature on stainless steel wheel 300°C

The product is manufactured in accordance with EN 60335-1, and RoHS directive 2015/863/CE
IP class according to EN 60034-5 to be checked with operation and installation

Issued: 2024-01-04 at 13:57 Documentations and pictures are non contractual, all the data of the technical file and the drawing are subject to change.

EN - Page 2 / 4



by



ADDITIONAL DATA

Documentations

- Operating and recycling manual
<http://www.ecofit.com/anglais/normes>

Measurement setup

- Ouie 16114-0

ERP DATA

ErP Directive ErP (EU 2009/125/EC) not applicable:

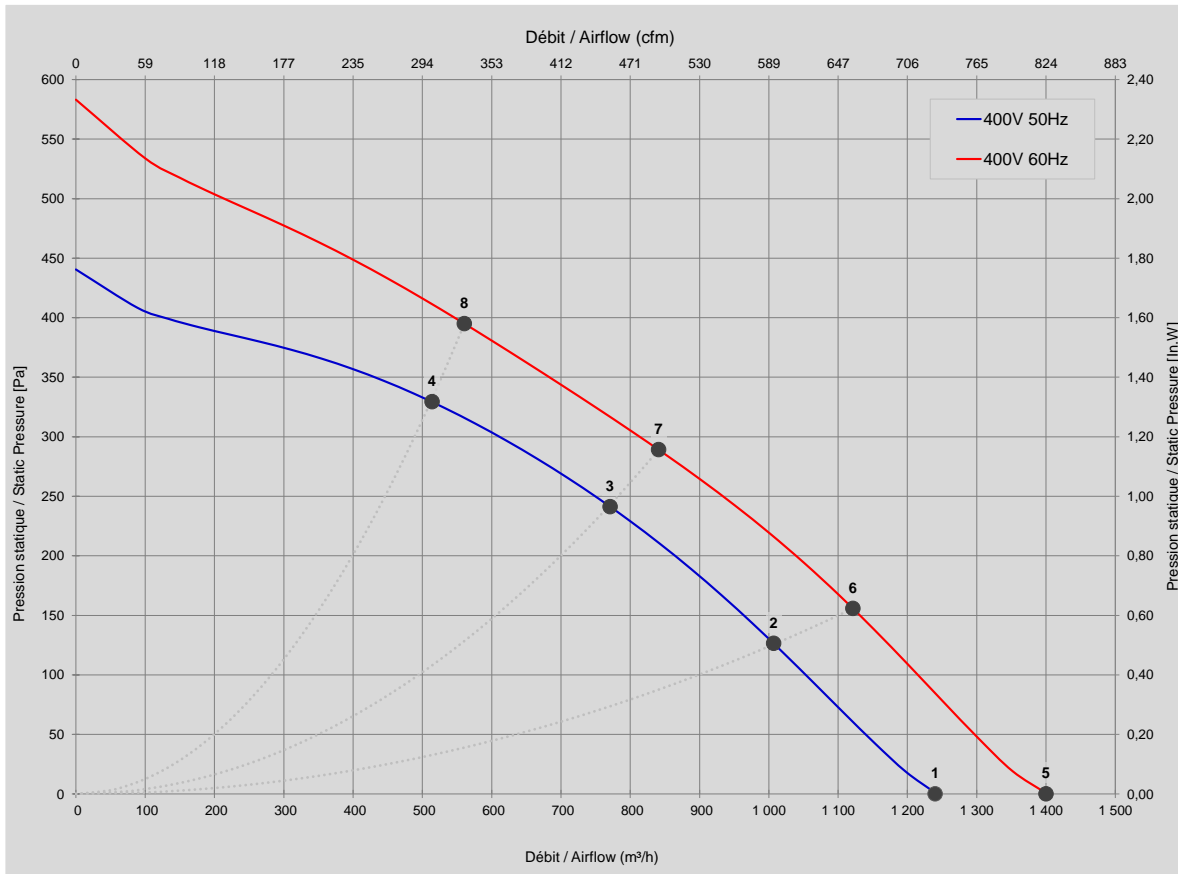
- Designed specifically where operating temperatures of the gas being moved exceed 100 °C

*The product is manufactured in accordance with EN 60335-1, and RoHS directive 2015/863/CE
IP class according to EN 60034-5 to be checked with operation and installation*

Issued: 2024-01-04 at 13:57 Documentations and pictures are non contractual, all the data of the technical file and the drawing are subject to change.

EN - Page 3 / 4

TECHNICAL DATA



Mesures / Measured Values *

	Un (V)	F (Hz)	P (W)	n (RPM)	Q (m³/h)	P (Pa)	Q (cfm)	P (In.W)	Lp _{in} (dBA)
1	400	50	141	2755	1 240	0	730	0,000	69
2	400	50	165	2734	1 007	126	593	0,506	67
3	400	50	181	2652	771	241	454	0,967	65
4	400	50	175	2630	514	329	303	1,319	68
5	400	60	190	3100	1 400	0	824	0,000	72
6	400	60	220	3003	1 121	156	660	0,624	69
7	400	60	244	2900	841	289	495	1,158	67
8	400	60	233	2941	561	395	330	1,582	72

* Air performance measured according to: ISO 5801, installation category C.
Intake-side sound level: according to ISO 3744, LpA measured at 1 m distance from fan axis. The values given are only applicable under the specified measuring conditions and may differ depending on the installation conditions. In the event of deviation

The product is manufactured in accordance with EN 60335-1, and RoHS directive 2015/863/CE
IP class according to EN 60034-5 to be checked with operation and installation