

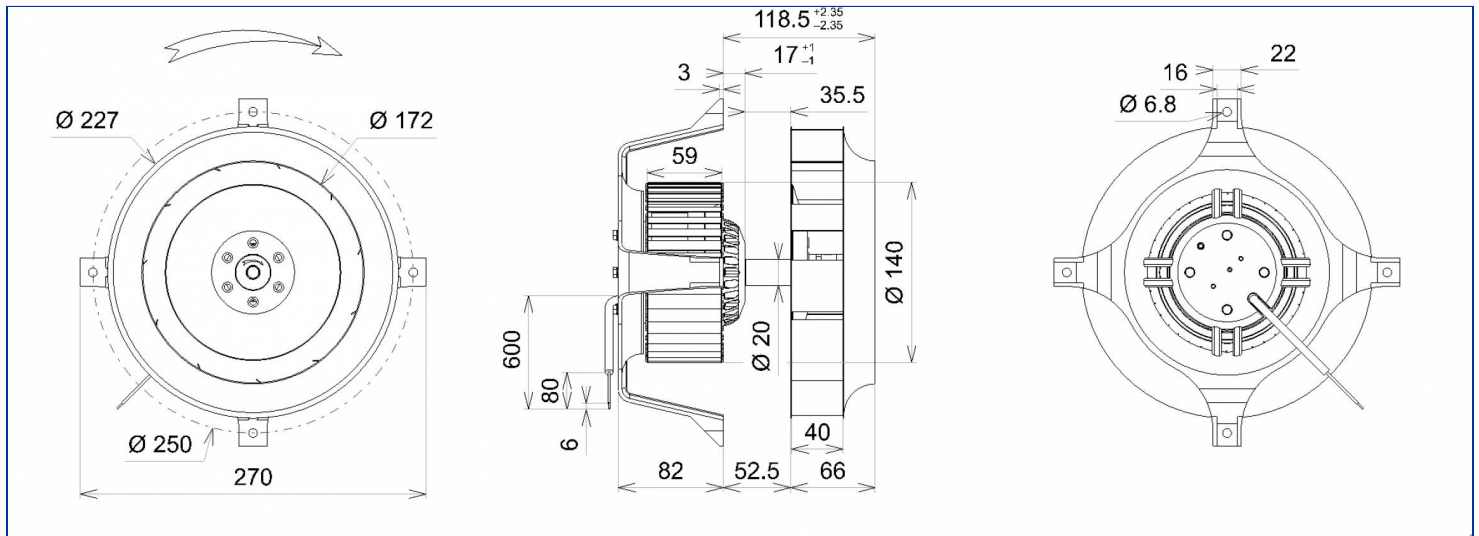


Designation **2DTR45 225x40R**

Range Fans for hot gases with single phase asynchronous motor

ELECTRICAL DATA

Speed		
Tension (V)	230	230
Frequency (Hz)	50	60
Current (A)	0.55	0.81
Maximum current (A)	0.72	0.98
Power (W)	120	177
Maximum power (W)	145	200
Rotation (RPM)	2690	2940
Cos Φ	0.949	0.950
Temperature min/max (°C)	-40/+70	-40/+70
Capacitor (µF)	4.00	4.00
U_condo (V)	400	400



MARKING & STANDARDS

Conformity

- CE
- UKCA



The product is manufactured in accordance with EN 60335-1, and RoHS directive 2015/863/CE
IP class according to EN 60034-5 to be checked with operation and installation

Issued: 2023-10-29 at 18:10 Documentations and pictures are non contractual, all the data of the technical file and the drawing are subject to change.

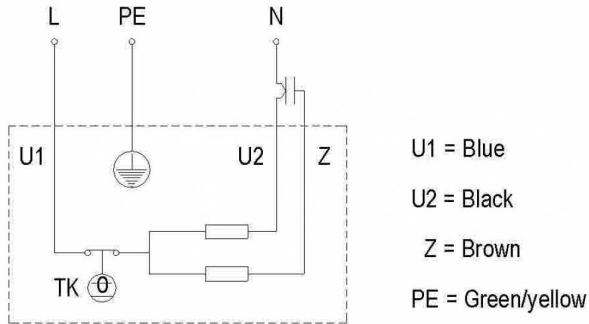
EN - Page 1 / 4

TECHNICAL DATA

Description

- Weight: 3.70 kg
- Without Condensat Drain Holes
- Class F
- Protection level: 54 | Protection against ingress of dust / Protection against ingress of water : splashing
- Motor's protection T150° C Automatic reset
- Bearing type: 2 ball bearings 608ZZ + 6000ZZ
- Balance level: G2.5

Wiring diagram



Finishes

- Impeller stainless
- Rotor : black paint
- DTR motor prop cast in aluminium
- Maximum temperature on stainless steel wheel 300°C

The product is manufactured in accordance with EN 60335-1, and RoHS directive 2015/863/CE
IP class according to EN 60034-5 to be checked with operation and installation

Issued: 2023-10-29 at 18:10 Documentations and pictures are non contractual, all the data of the technical file and the drawing are subject to change.

EN - Page 2 / 4



by



ADDITIONAL DATA

Accessories

- 19019 | Capacitor

Documentations

- Operating and recycling manual
<http://www.ecofit.com/anglais/normes>

Measurement setup

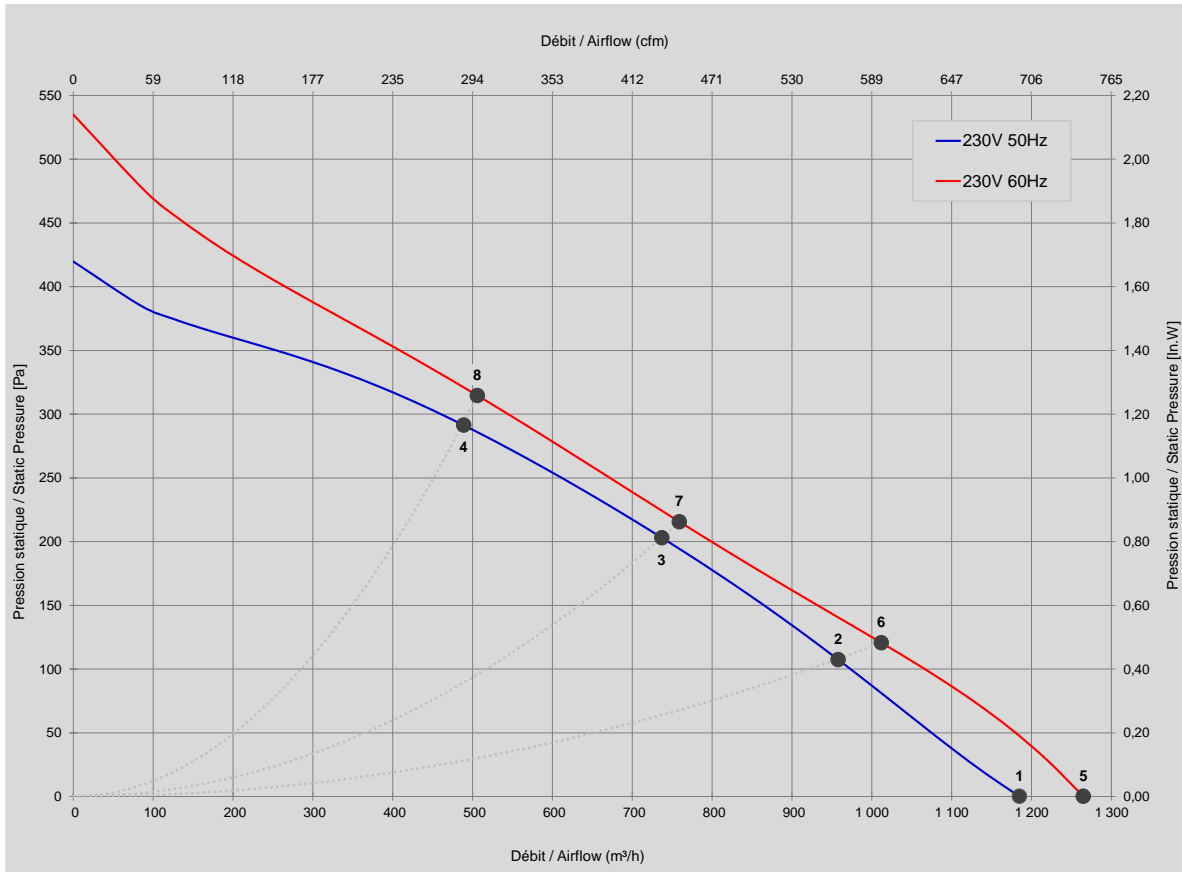
- Ouie 16114-0

ERP DATA

ErP Directive ErP (EU 2009/125/EC) not applicable:

- Designed specifically where operating temperatures of the gas being moved exceed 100 °C

TECHNICAL DATA



Mesures / Measured Values *

	Un (V)	F (Hz)	C (µF)	P (W)	n (RPM)	Q (m³/h)	P (Pa)	Q (cfm)	P (In.W)	Lp _m (dBA)
1	230	50	4	120	2690	1 185	0	698	0,000	69
2	230	50	4	134	2594	958	107	564	0,430	66
3	230	50	4	143	2523	737	203	434	0,813	64
4	230	50	4	143	2539	489	291	288	1,167	66
5	230	60	4	177	2940	1 265	0	745	0,000	71
6	230	60	4	191	2768	1 012	121	596	0,483	67
7	230	60	4	199	2593	759	216	447	0,864	64
8	230	60	4	197	2664	506	315	298	1,260	67

* Air performance measured according to: ISO 5801, installation category C.
Intake-side sound level: according to ISO 3744, LpA measured at 1 m distance from fan axis. The values given are only applicable under the specified measuring conditions and may differ depending on the installation conditions.

The product is manufactured in accordance with EN 60335-1, and RoHS directive 2015/863/CE
IP class according to EN 60034-5 to be checked with operation and installation