

Technical data sheet

Revision j
Revision 03/2023

ECOFIT

by



Model
J01-04

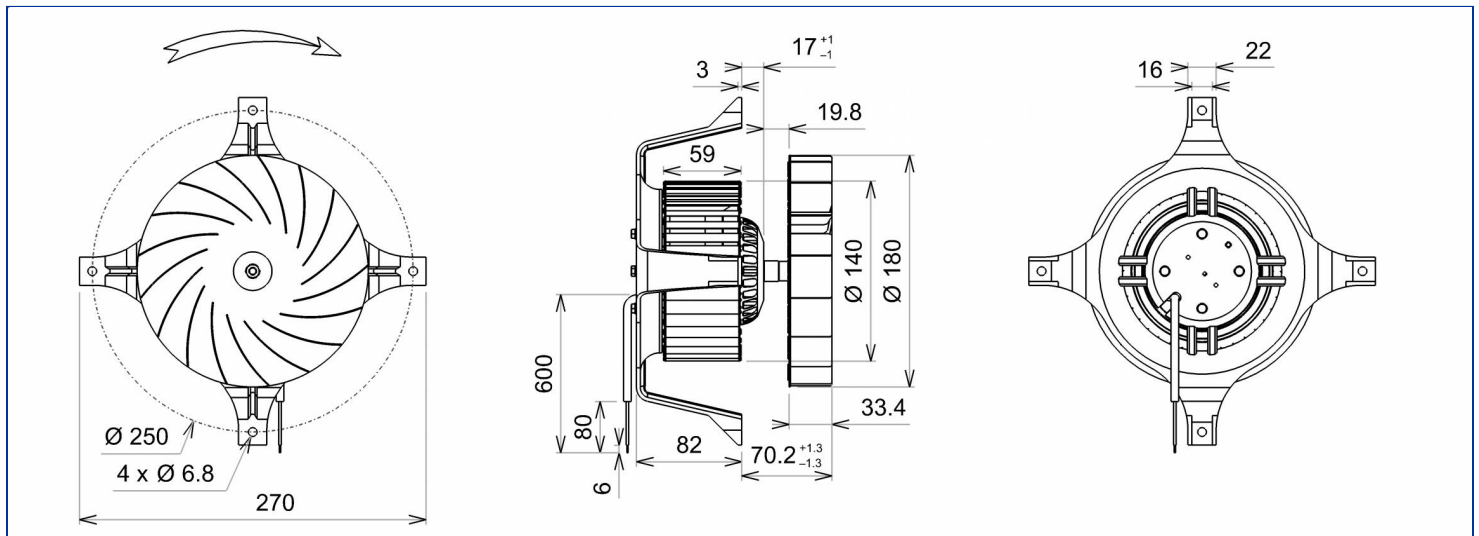


Designation **2DTR45 180x32R**

Range Fans for hot gases with single phase asynchronous motor

ELECTRICAL DATA

Speed		
Tension (V)	230	230
Frequency (Hz)	50	60
Current (A)	0.58	0.82
Maximum current (A)	0.64	0.90
Power (W)	133	188
Maximum power (W)	133	188
Rotation (RPM)	2650	2830
Cos Φ	0.997	0.997
Temperature min/max (°C)	-40/+70	-40/+70
Capacitor (µF)	4.00	4.00
U_condo (V)	400	400



MARKING & STANDARDS

Conformity

- CE
- UKCA



The product is manufactured in accordance with EN 60335-1, and RoHS directive 2015/863/CE
IP class according to EN 60034-5 to be checked with operation and installation

Issued: 2023-03-13 at 07:28 Documentations and pictures are non contractual, all the data of the technical file and the drawing are subject to change.

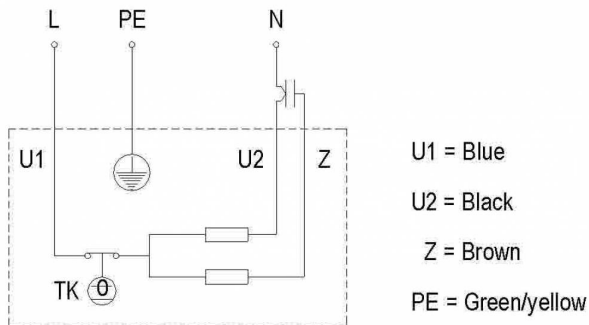
EN - Page 1 / 4

TECHNICAL DATA

Description

- Weight: 3.60 kg
- With Condensat Drain Holes
- Class F
- Protection level: 54 | Protection against ingress of dust / Protection against ingress of water : splashing
- Motor's protection T150° C Automatic reset
- Bearing type: 2 ball bearings 608ZZ + 6000ZZ
- Balance level: G2.5

Wiring diagram



Finishes

- Impeller stainless
- Rotor : black paint
- DTR motor prop cast in aluminium
- Maximum temperature on stainless steel wheel 300°C

The product is manufactured in accordance with EN 60335-1, and RoHS directive 2015/863/CE
IP class according to EN 60034-5 to be checked with operation and installation

Issued: 2023-03-13 at 07:28 Documentations and pictures are non contractual, all the data of the technical file and the drawing are subject to change.

EN - Page 2 / 4



by



ADDITIONAL DATA

Accessories

- 19019 | Capacitor

Documentations

- Operating and recycling manual
<http://www.ecofit.com/anglais/normes>

Measurement setup

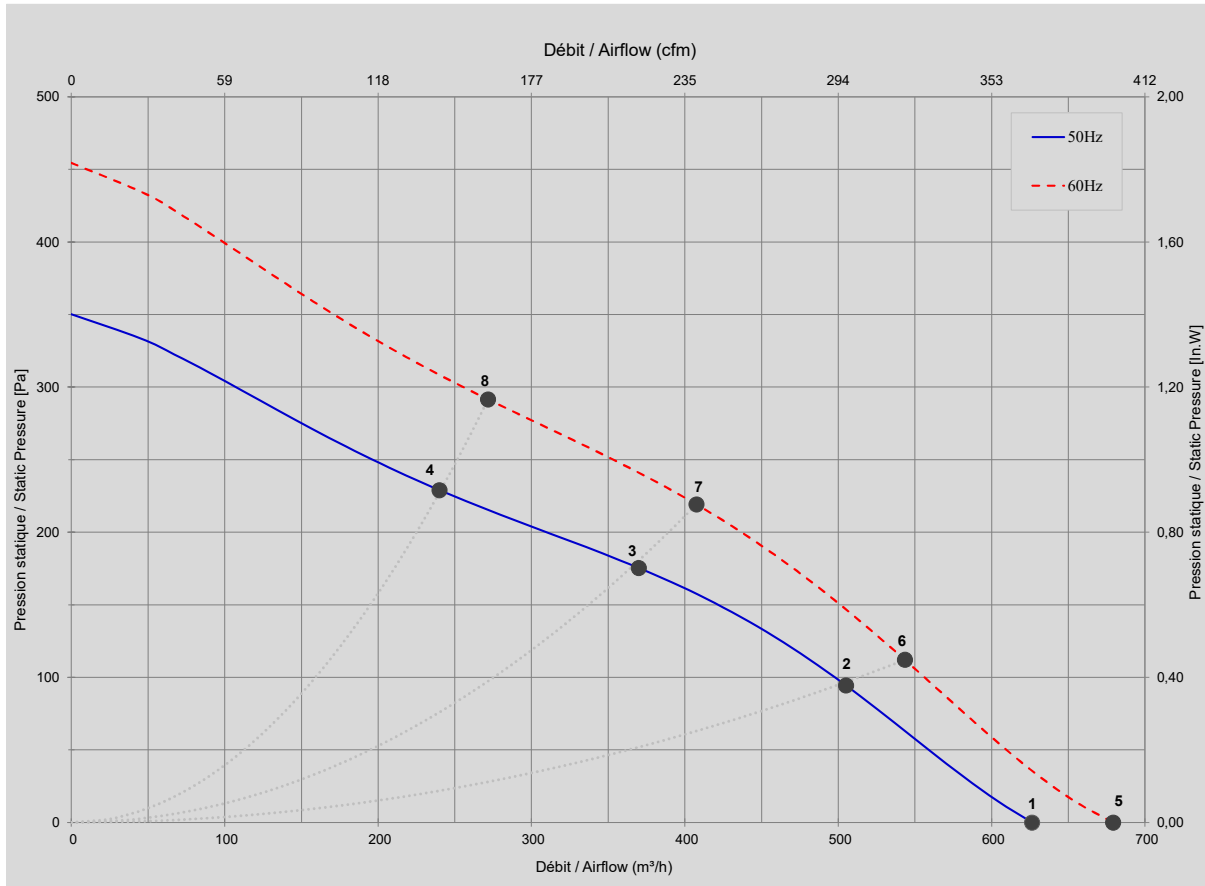
- Ouie 16126-c OUIE OJ150 H18

ERP DATA

ErP Directive ErP (EU 2009/125/EC) not applicable:

- Designed specifically where operating temperatures of the gas being moved exceed 100 °C

TECHNICAL DATA



Mesures / Measured Values *

	Un (V)	F (Hz)	C (µF)	P (W)	n (RPM)	Q (m³/h)	P (Pa)	Q (cfm)	P (in.W)	Lp _{in} (dBA)
1	230	50	4	133	2830	626	0	369	0,000	
2	230	50	4	128	2684	505	94	297	0,378	
3	230	50	4	115	2751	370	175	218	0,703	
4	230	50	4	104	2815	240	229	141	0,917	
5	230	60	4	188	2830	679	0	400	0,000	
6	230	60	4	184	2905	543	112	320	0,449	
7	230	60	4	170	3074	408	219	240	0,878	
8	230	60	4	155	3200	272	291	160	1,168	

* Air performance measured according to: ISO 5801, installation category C.
Intake-side sound level: according to ISO 3744, LpA measured at 1 m distance from fan axis. The values given are only applicable under the specified measuring conditions and may differ depending on the installation conditions. In the event of deviation

The product is manufactured in accordance with EN 60335-1, and RoHS directive 2015/863/CE
IP class according to EN 60034-5 to be checked with operation and installation