



VG VuG9 200A

M43-D2-1



DATA SHEET

release. b - Revision 10-2015

| Voltage | Frequency | Input Power | Input Current | Airflow | Rotation speed | Acoustic level | Direction rotation | Admissible Temperature |
|---------|-----------|-------------|---------------|-------------------|----------------|----------------|--------------------|------------------------|
| V | Hz | W | A | m ³ /h | RPM | dBA | ↻ | Min/Max |
| 230 | 50/60 | 96 | 0,78 | 1105 | 3375 | 70 | L | -20°C / +50°C |
| 230 | 50/60 | | | 650 CFM | | | | -4°F / 122°F |

dBA : free blowing

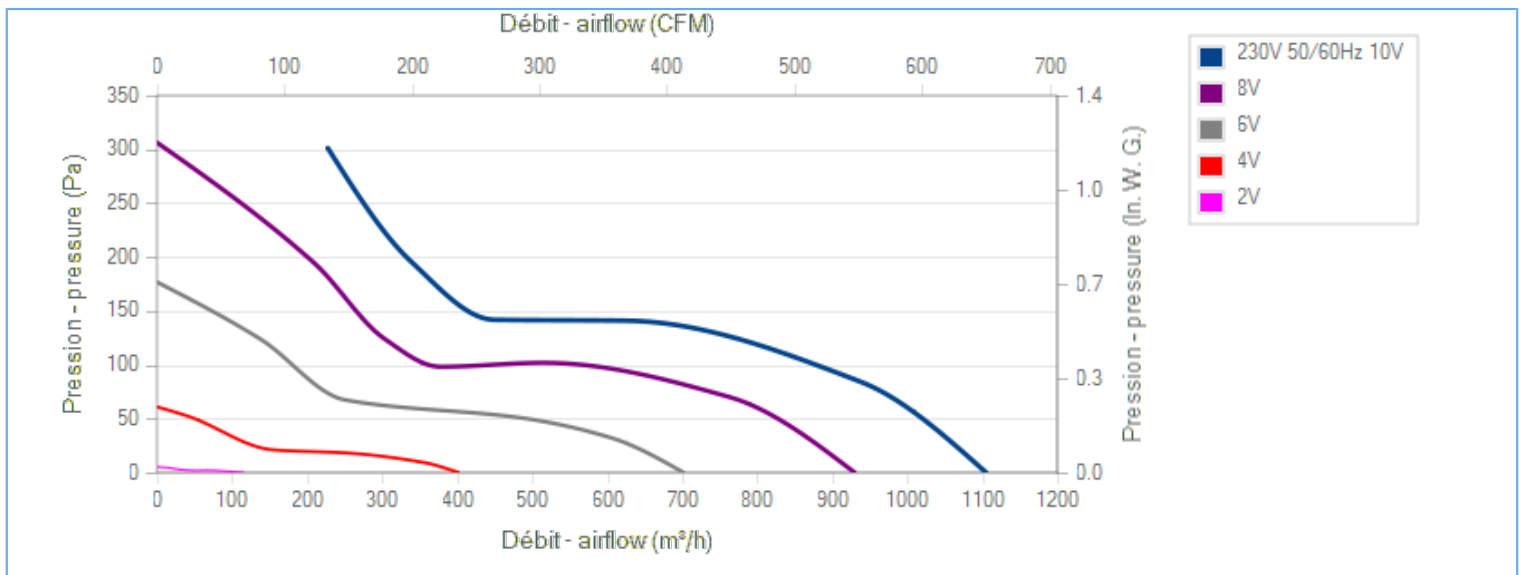
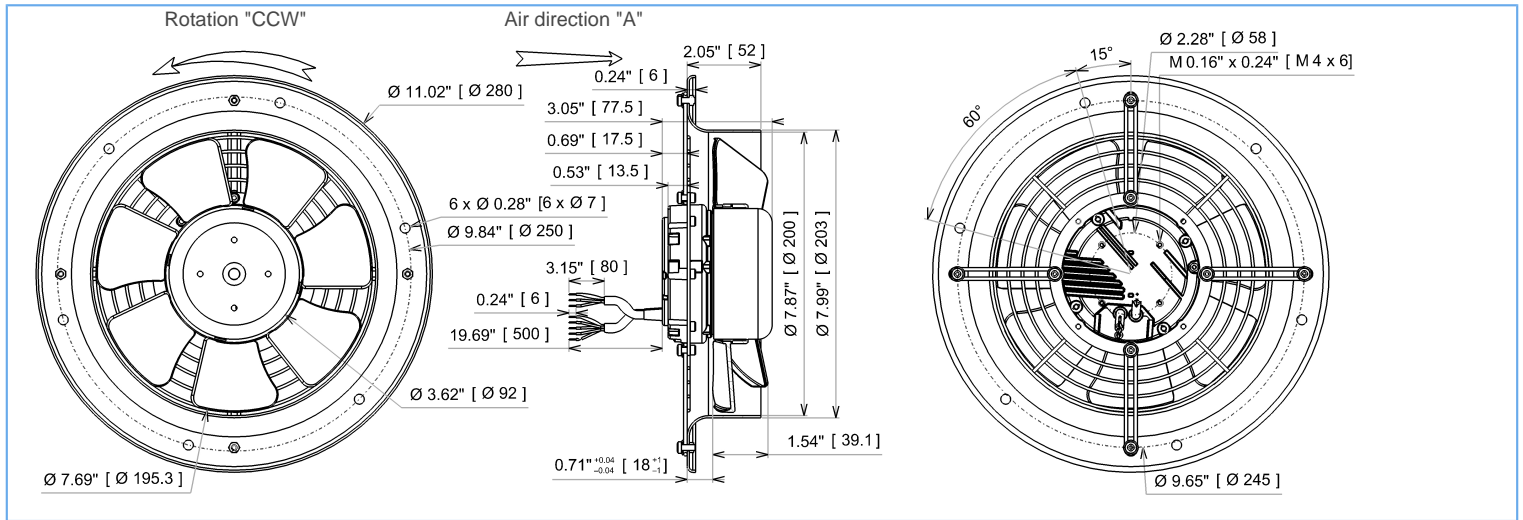
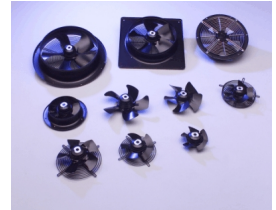
NA : not applicable

ErP 2013

NA

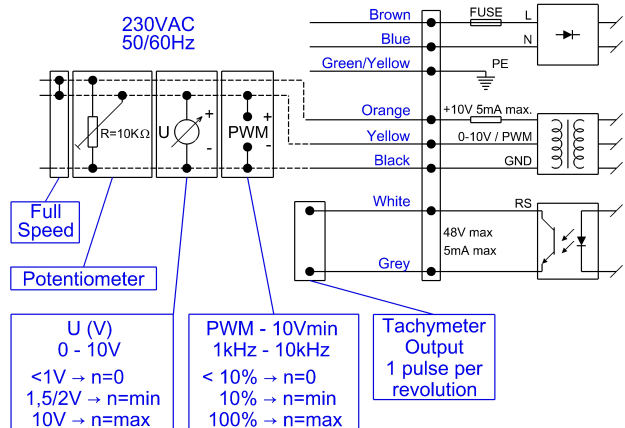
ErP 2015

NA



Description

- .Weight : 1,7 Kg
- .Ball bearing
- .Insulation Class F
- .IP4x may be IP44 according to EN60034-5 after checking the integration into the customer appliance
- .G6.3 balancing
- .Plastic impeller PA 6/6 UL94 V0
- .Rotor : black paint
- .Finger guard and ring : black paint



Non contractual document. All specifications are subject to change without prior notice. Picture for information only.



VG VuG9 200A

M43-D2-1



DATA SHEET

release. b - Revision 10-2015

Data in accordance to ErP directive

| | | |
|---------------------------------|-------|----------------------------------|
| Voltage | 230 | V |
| Frequency | 50 | Hz |
| Power | 0,098 | kW ⁽¹⁾ |
| Airflow | 683 | m ³ /h ⁽¹⁾ |
| Pressure | 136 | Pa ⁽¹⁾ |
| Rotation speed | 3385 | RPM ⁽¹⁾ |
| (1) at optimal efficiency point | | |

ErP directive (EU 2009/125/EC) not applicable :
Power at optimum energy efficiency point

Accessories

Measurement setup

16084 VIROLE V200 RONDE

Documents

Manuel d'utilisation

www.ecofit.com/site/normes

Operating and recycling manual

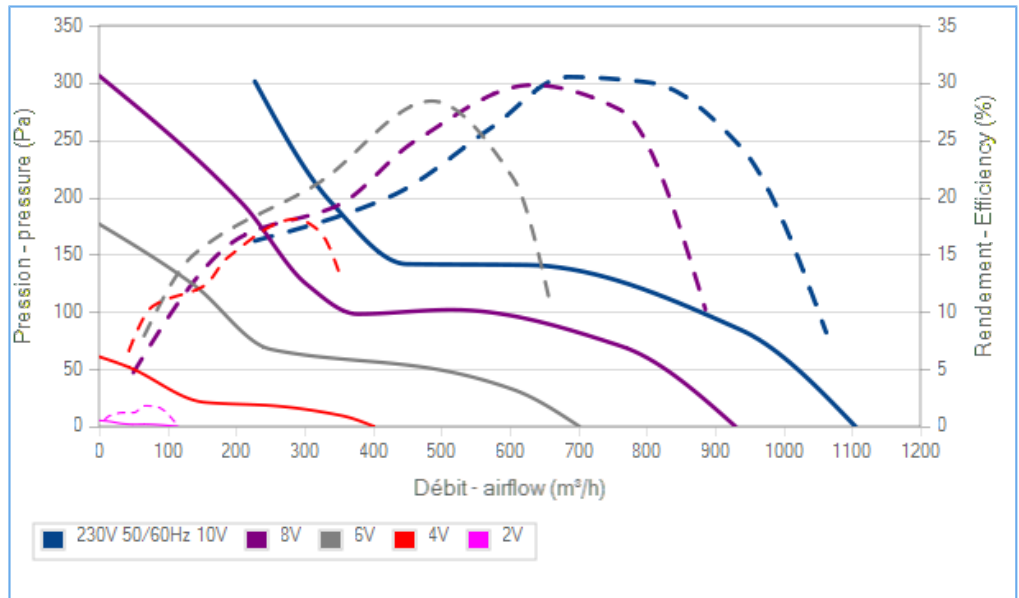
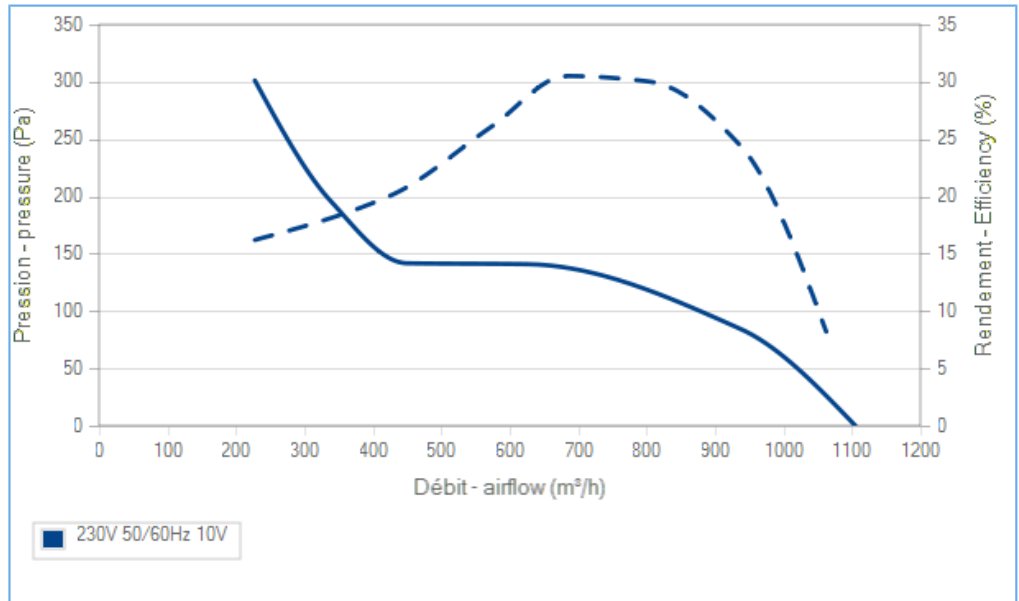
www.ecofit.com/anglais/normes



IEC 60335-2-80:2002 + A1:2004 +
IEC 60335-1:2010
EN 60335-2-80:2003 + A1:2004 + A2:2009 +
EN 60335-1:2012
RT9192CE



UL1004-1, 2nd edition "rotating electrical machine"
UL1004-3, 1st edition "thermally protected motors"
UL1004-7, 2nd edition "electronically protected motors"
C22.2 N°100-04, 6th edition "motors and generator"
C22.2 N°77-95, 7th edition "motors with inherent overheating protection"
UL Motor Model : RT9192
File Number : E326930 XDNW2,8



La courbe de rendement intègre le facteur de compensation de charge partielle du règlement (UE) n°327/2011
The efficiency curve includes part load compensation factor of regulation (EU) n°327/2011

Non contractual document. All specifications are subject to change without prior notice. Picture for information only.