



# VGRuG9 300V

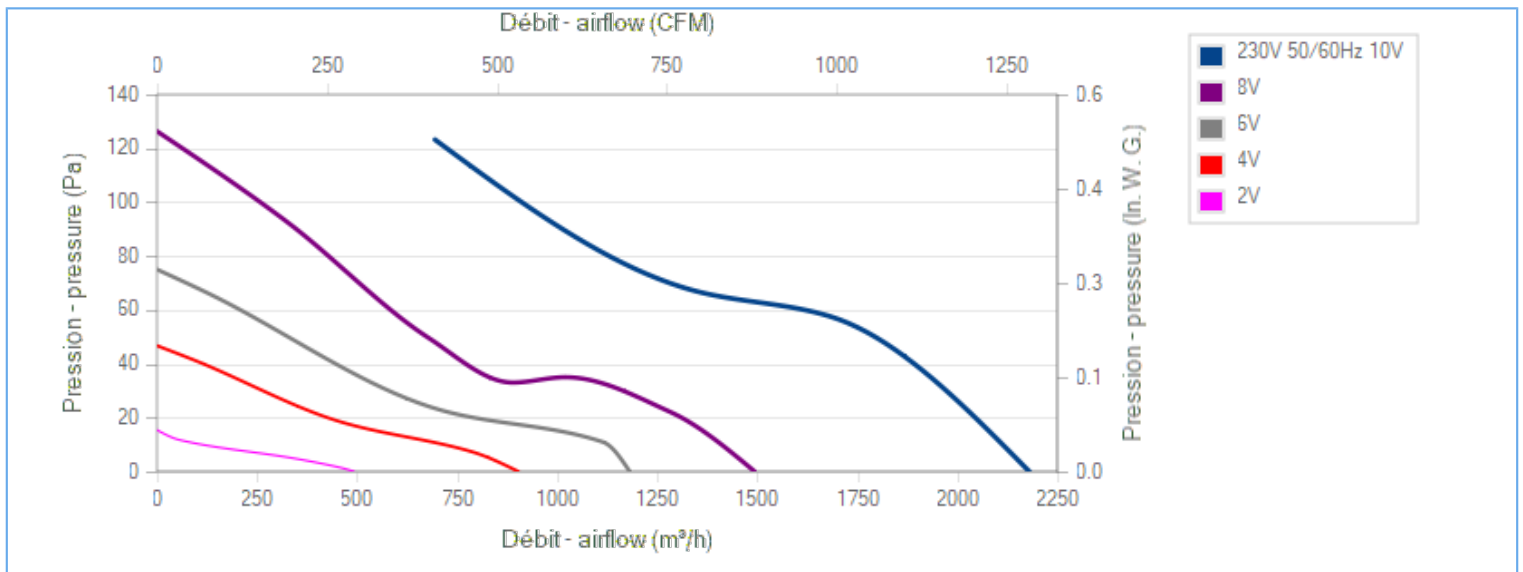
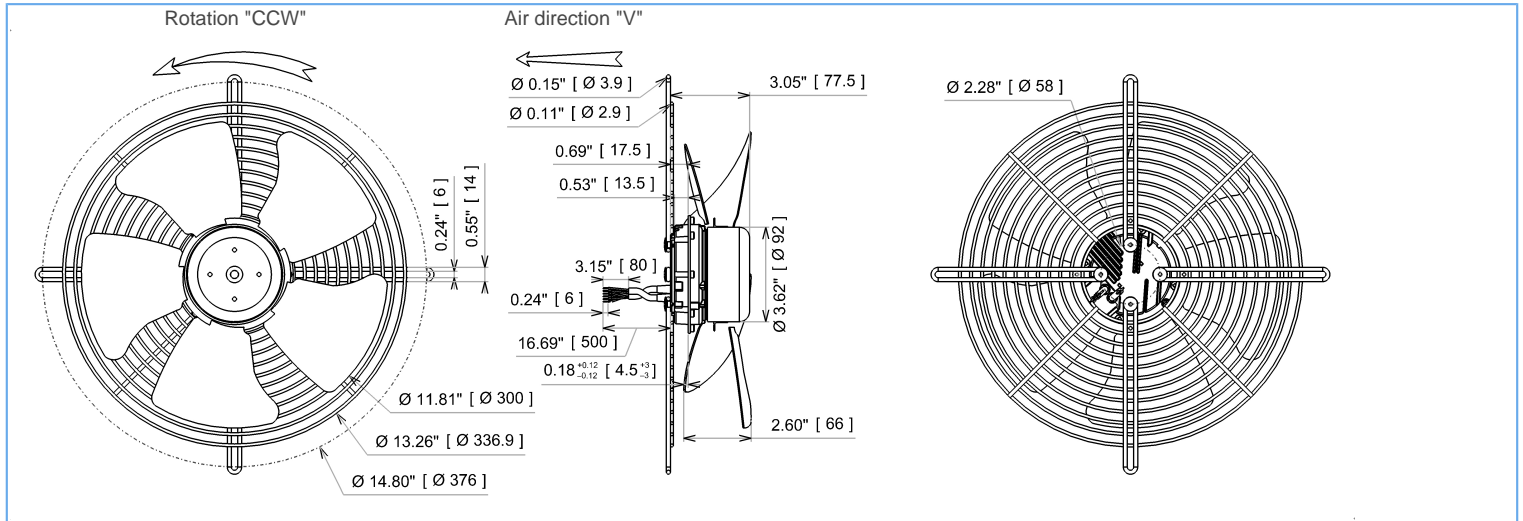
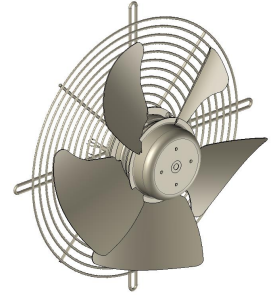
# M43-B9-1



## DATA SHEET

release. b - Revision 01-2018

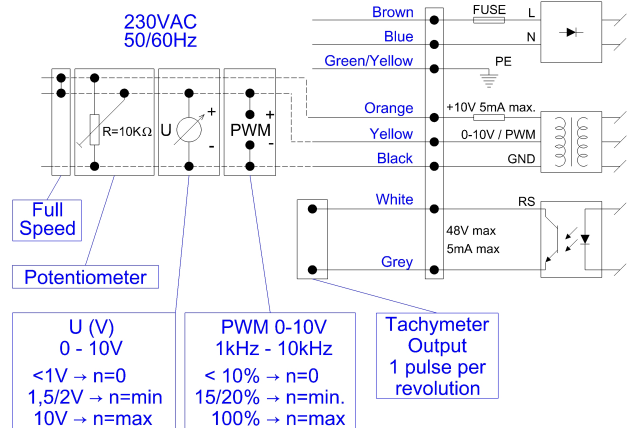
| Voltage            | Frequency | Input Power | Input Current | Airflow             | Rotation speed | Acoustic level | Direction rotation | Admissible Temperature |    |
|--------------------|-----------|-------------|---------------|---------------------|----------------|----------------|--------------------|------------------------|----|
| V                  | Hz        | W           | A             | m <sup>3</sup> /h   | RPM            | dBA            |                    | Min/Max                |    |
| 230                | 50/60     | 81          | 0,7           | 2180                | 1630           | 62             | L                  | -20°C / +50°C          |    |
| 230                | 50/60     |             |               |                     | 1283 CFM       |                |                    |                        |    |
| dBA : free blowing |           |             |               | NA : not applicable |                | ErP 2013       | NA                 | ErP 2015               | NA |



Tested with ECOFIT ring

### Description

- .Weight : 2,0 Kg
- .Ball bearing
- .Insulation Class F
- .G6.3 balancing
- .IP4x may be IP44 according to EN60034-5 after checking the integration into the customer appliance
- .Rotor and impeller : black paint
- .Finger guard : black paint
- .Motor - UL Recognized component





VGRuG9 300V

M43-B9-1



# DATA SHEET

release. b - Revision 01-2018

## Data in accordance to ErP directive

|                                 |       |                                  |
|---------------------------------|-------|----------------------------------|
| Voltage                         | 230   | V                                |
| Frequency                       | 50    | Hz                               |
| Power                           | 0,110 | kW <sup>(1)</sup>                |
| Airflow                         | 1684  | m <sup>3</sup> /h <sup>(1)</sup> |
| Pressure                        | 58    | Pa <sup>(1)</sup>                |
| Rotation speed                  | 1641  | RPM <sup>(1)</sup>               |
| (1) at optimal efficiency point |       |                                  |

ErP directive (EU 2009/125/EC) not applicable :  
Power at optimum energy efficiency point

## Accessories

## Measurement setup

16086 VIROLE V300 RONDE

## Documents

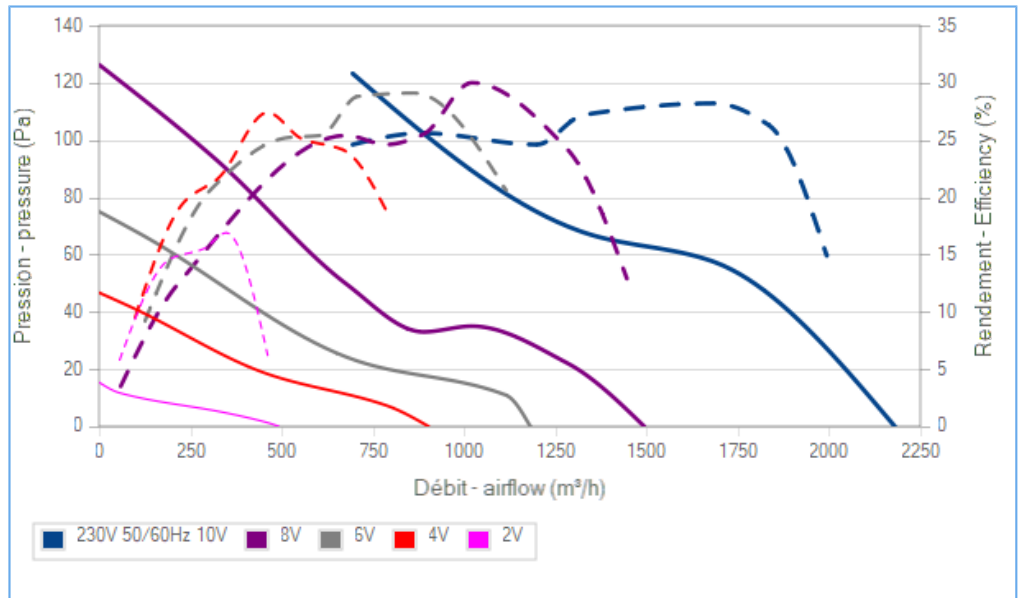
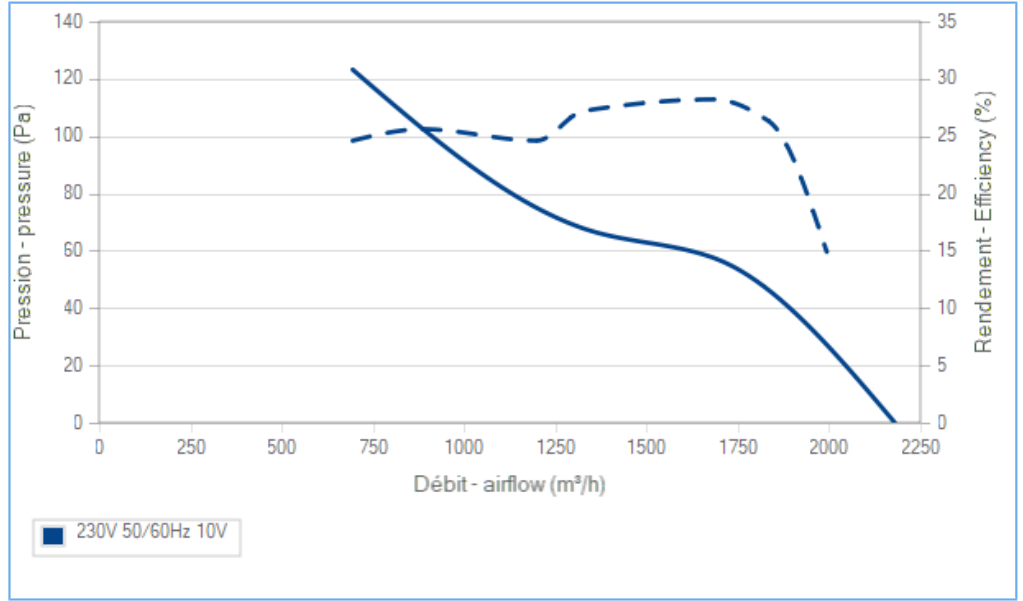
- Manuel d'utilisation  
[www.ecofit.com/site/normes](http://www.ecofit.com/site/normes)
- Operating and recycling manual  
[www.ecofit.com/anglais/normes](http://www.ecofit.com/anglais/normes)



IEC 60335-2-80:2002 + A1:2004 +  
IEC 60335-1:2010  
EN 60335-2-80:2003 + A1:2004 + A2:2009 +  
EN 60335-1:2012  
RT9192CE



UL1004-1, 2nd edition "rotating electrical machine"  
UL1004-3, 1st edition "thermally protected motors"  
UL1004-7, 2nd edition "electronically protected motors"  
C22.2 N°100-04, 6th edition "motors and generator"  
C22.2 N°77-95, 7th edition "motors with inherent overheating protection"  
UL Motor Model : RT9192  
File Number : E326930 XDNW2,8



La courbe de rendement intègre le facteur de compensation de charge partielle du règlement (UE) n°327/2011  
The efficiency curve includes part load compensation factor of regulation (EU) n°327/2011

Non contractual document. All specifications are subject to change without prior notice. Picture for information only.