



VGCuV8 350A

S24-B9-1

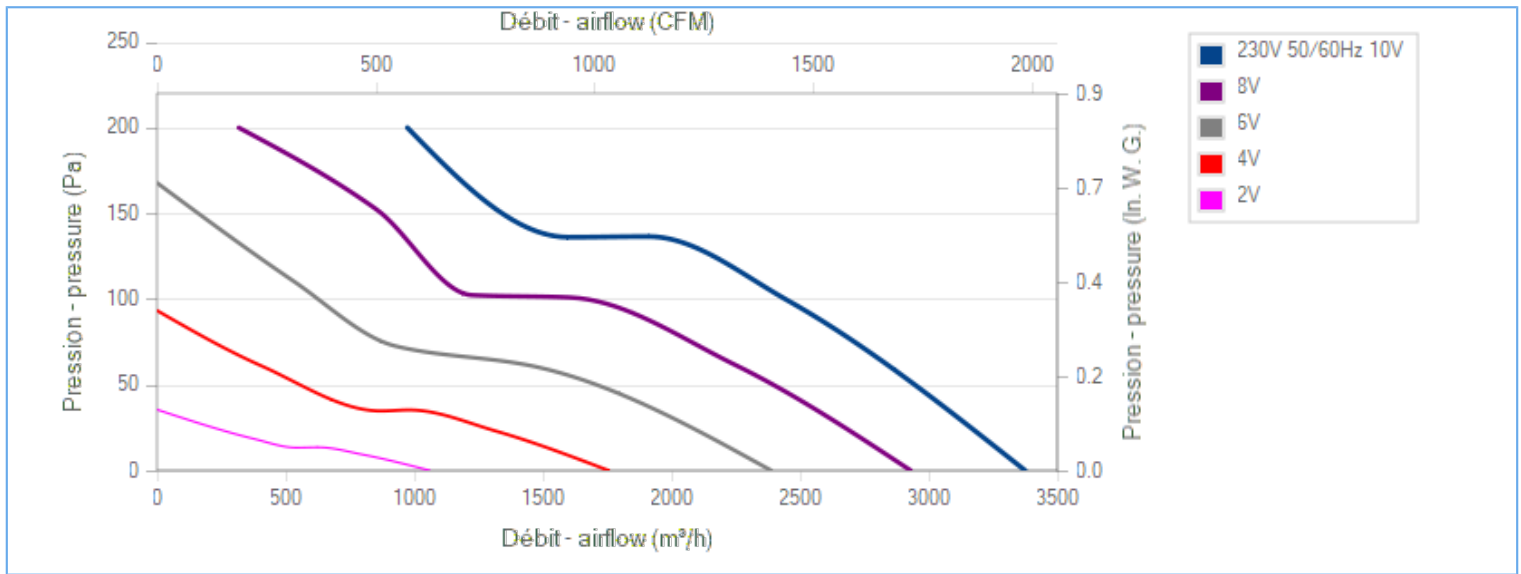
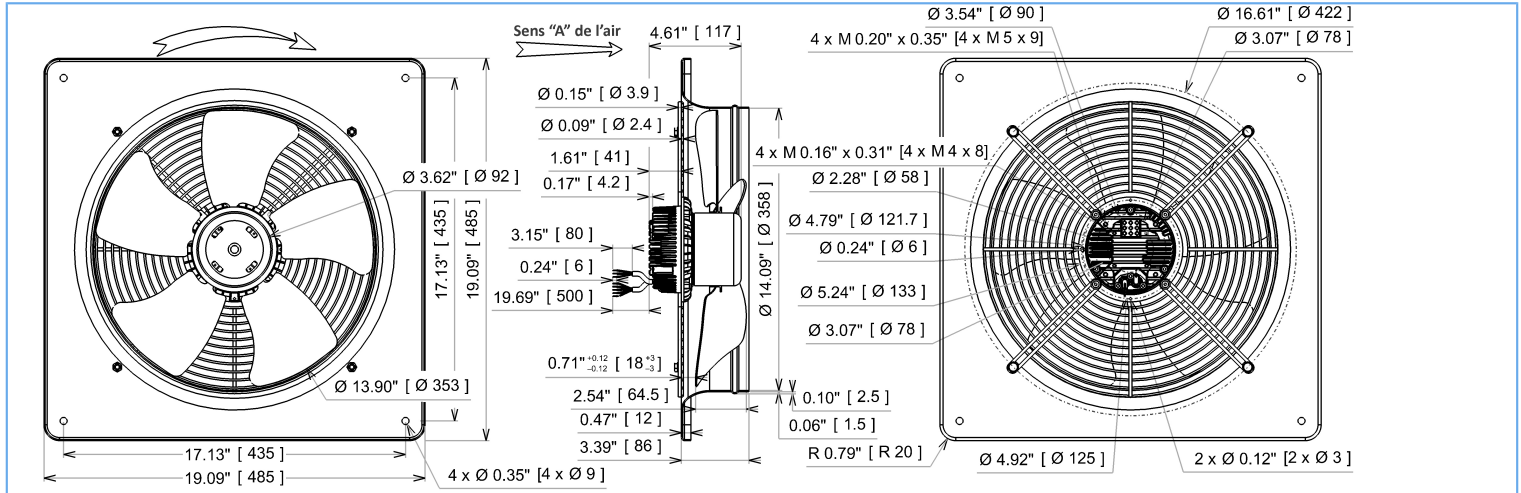


**DATA SHEET**

release. 0 - Revision 05-2019

Voltage	Frequency	Input Power	Input Current	Airflow	Rotation speed	Direction rotation	Admissible Temperature
V	Hz	W	A	m <sup>3</sup> /h	RPM		Min/Max
230	50/60	137	0,62	3375	1715	R	-25°C / +60°C
230	50/60			1986 CFM			-13°F / 140°F

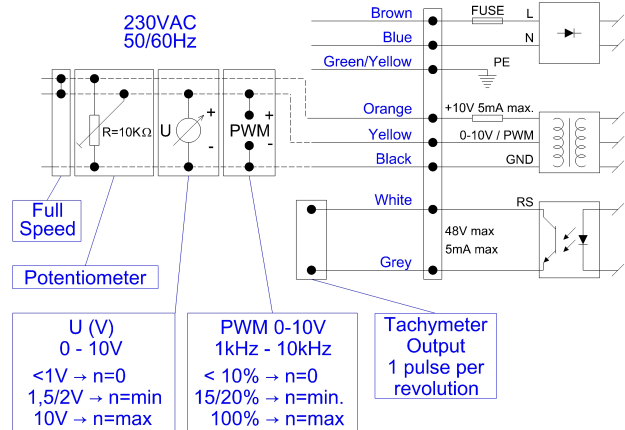
ErP 2013 OK ErP 2015 OK



Tested with ECOFIT ring

**Description**

- .Weight : 4,5 Kg
- .Ball bearing
- .Insulation Class F
- .IP54 protection depending on installation and position as per EN60034-5
- .G6.3 balancing
- .Impeller black painted
- .Finger guard and ring : black paint
- .Motor - UL Recognized component





VGCuV8 350A

S24-B9-1



# DATA SHEET

release. 0 - Revision 05-2019

## Data in accordance to ErP directive

Voltage	230	V
Frequency	50	Hz
Power	0,204	kW <sup>(1)</sup>
Airflow	2070	m <sup>3</sup> /h <sup>(1)</sup>
Pressure	129	Pa <sup>(1)</sup>
Rotation speed	1705	RPM <sup>(1)</sup>

(1) at optimal efficiency point

	Actual	Request 2013	Request 2015
Overall efficiency ( $\eta$ )	41,2	25,3	29,3
Efficiency grade	52	36	40
Installation category	A		
Efficiency category	static		
Variable speed drive	Yes		
Specific ratio	1,00		

Designed for regular application according ErP directive EU 2009/125/EC

## Accessories

## Measurement setup

16087 VIROLE V350 RONDE

## Documents

Manuel d'utilisation

[www.ecofit.com/site/normes](http://www.ecofit.com/site/normes)

Operating and recycling manual

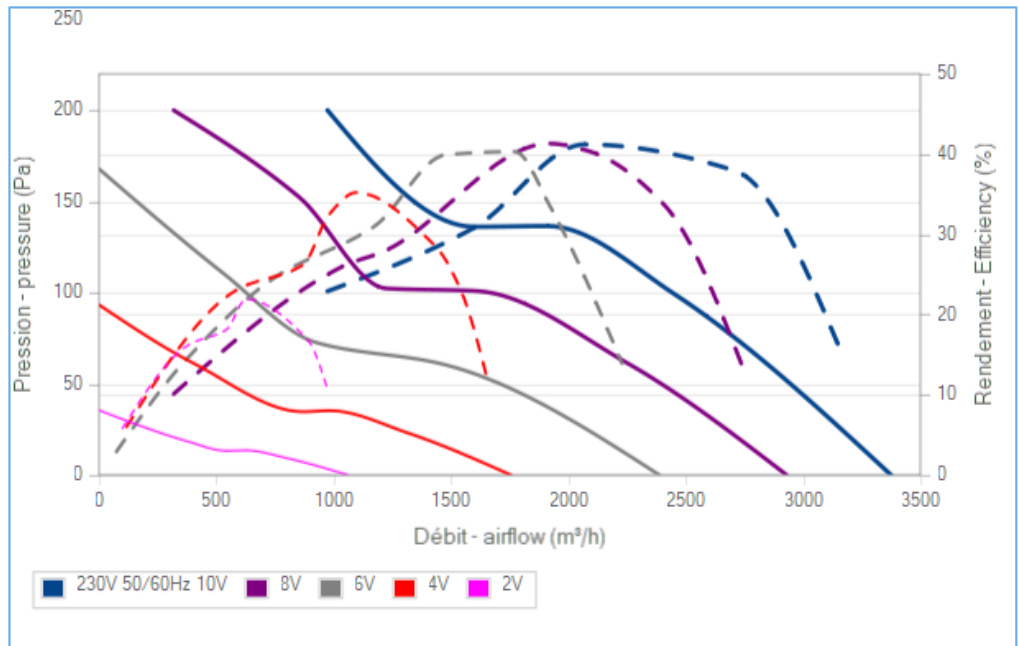
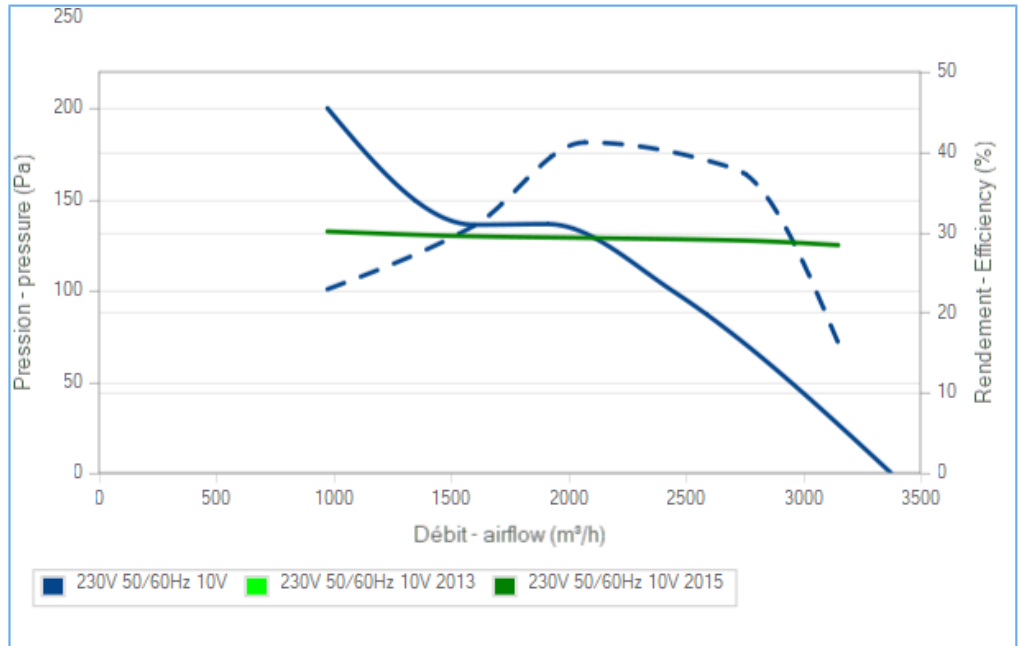
[www.ecofit.com/anglais/normes](http://www.ecofit.com/anglais/normes)



IEC 60335-2-80:2002 + A1:2004 +  
IEC 60335-1:2010  
EN 60335-2-80:2003 + A1:2004 + A2:2009 +  
EN 60335-1:2012  
RT9382CE



UL1004-1, 2nd edition "rotating electrical machine"  
UL1004-3, 1st edition "thermally protected motors"  
UL1004-7, 2nd edition "electronically protected motors"  
C22.2 N°100-04, 6th edition "motors and generator"  
C22.2 N°77-95, 7th edition "motors with inherent overheating protection"  
UL Motor Model : RT9382  
File Number : E326930 XDNW2,8



La courbe de rendement intègre le facteur de compensation de charge partielle du règlement (UE) n°327/2011  
The efficiency curve includes part load compensation factor of regulation (EU) n°327/2011

Non contractual document. All specifications are subject to change without prior notice. Picture for information only.