

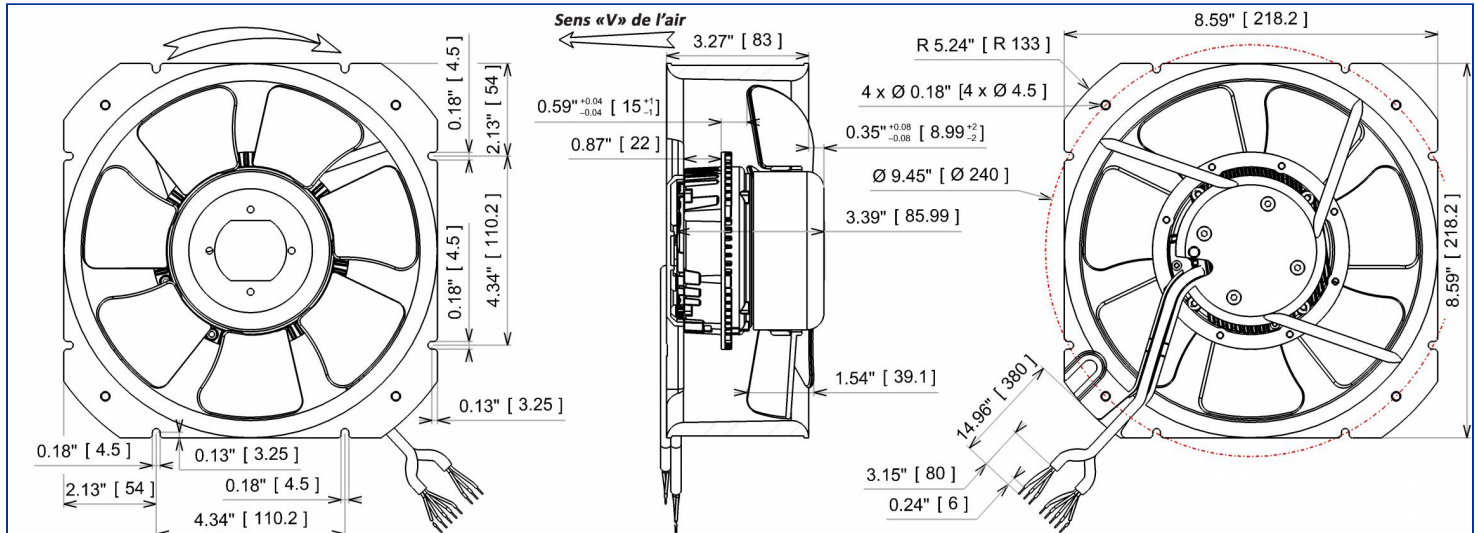


Designation **VGCuG9 200V**

Range Axial fans with electronic commutation motor

ELECTRICAL DATA

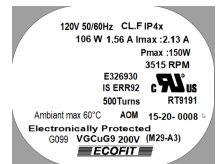
Tension (V)	120
Frequency (Hz)	50/60
Current (A)	1.56
Maximum current (A)	2.13
Power (W)	106
Maximum power (W)	150
Rotation (RPM)	3515
Cos Φ	0.566
Temperature min/max (°C)	-25/+60



MARKING & STANDARDS

Conformity

- **UL RT9191 Standard for Electronically Protected Motors**
File number E326930



The product is manufactured in accordance with EN 60335-1, UL1004-7, and RoHS directive 2015/863/CE
IP class according to EN 60034-5 to be checked with operation and installation

Issued: 09/04/2020 at 10:00 Documentations and pictures are non contractual, all the data of the technical file and the drawing are subject to change.

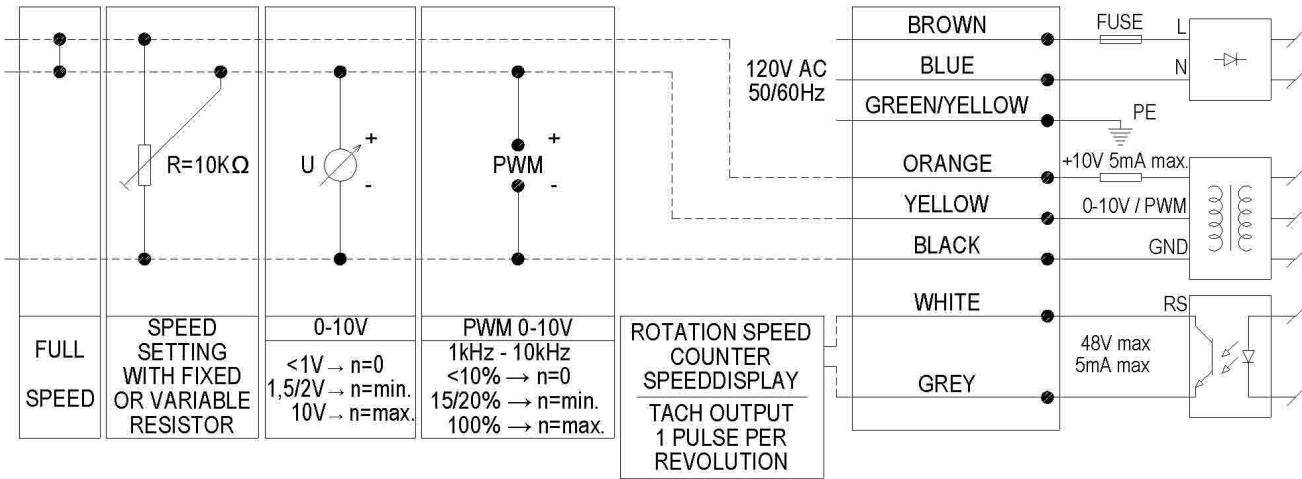
EN - Page 1 / 4

TECHNICAL DATA

Description

- Weight: 1.84 kg
- With Condensat Drain Holes
- Class F
- Protection level: 4x | Protection against ingress of solid with diameter ≥ 1 mm / No information
- Motor's protection Electronically protected
- Bearing type: 2 ball bearings 608ZZ
- Balance level: G6.3

Wiring diagram



Finishes

- Plastic impeller PA 6/6 UL94 V0
- Motor - UL Recognized component
- Rotor : black paint
- Aluminium ring



ADDITIONAL DATA

Accessories

- 21360 | Finger guard

Documentations

- Operating and recycling manual
<http://www.ecofit.com/anglais/normes>

Measurement setup

- Ring 16189-a Virole Carrée 200 ALU

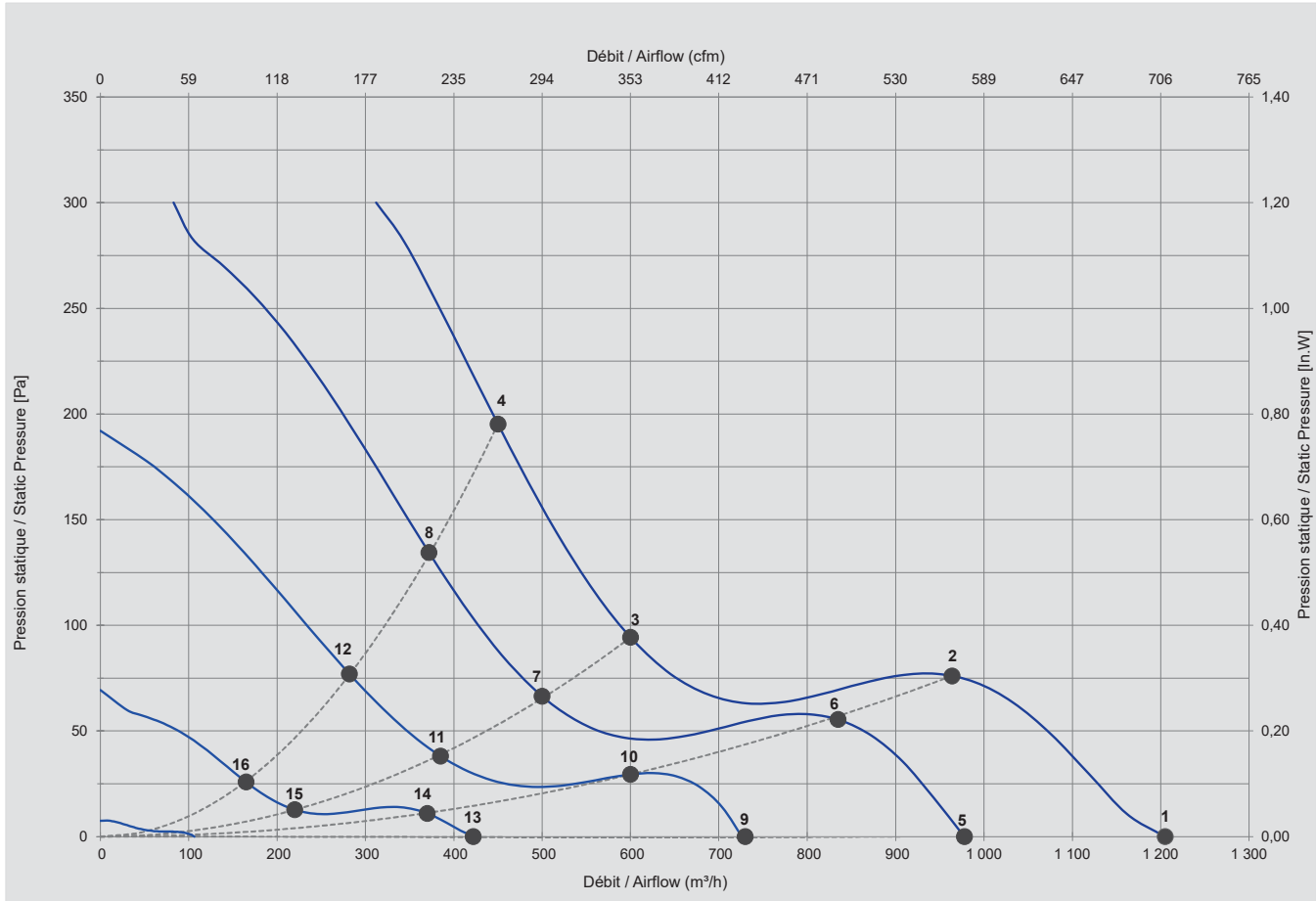
ERP DATA

ErP Directive ErP (EU 2009/125/EC) not applicable:

- Power at optimum energy efficiency point <125W

TECHNICAL DATA

Do not use in pumping zone.



Mesures / Measured Values*

	Un (V)	Vctl (Vdc)	F (Hz)	P (W)	n (RPM)	Q (m³/h)	P (Pa)	Q (cfm)	P (In.W)	Lp _{in} (dBA)
1	120	10	50/60	106	3515	1 205	0	709	0,000	
2	230	10	50/60	118	3464	964	76	567	0,305	
3	230	10	50/60	93	3461	600	94	353	0,378	
4	230	10	50/60	108	3468	450	195	265	0,782	
5	120	8	50/60	68	2918	978	0	576	0,000	
6	120	8	50/60	67	2902	835	55	491	0,222	
7	120	8	50/60	56	2911	500	66	294	0,266	
8	120	8	50/60	66	2921	372	134	219	0,539	
9	120	6	50/60	32	2215	730	0	430	0,000	
10	120	6	50/60	34	2189	600	29	353	0,118	
11	120	6	50/60	26	2213	385	38	227	0,153	
12	120	6	50/60	31	2215	282	77	166	0,308	
13	120	4	50/60	9	1299	422	0	248	0,000	
14	120	4	50/60	10	1301	370	11	218	0,044	
15	120	4	50/60	8	1289	220	13	129	0,051	
16	120	4	50/60	9	1295	165	26	97	0,103	

* Air performance measured according to: ISO 5801, installation category C.
Intake-side sound level: according to ISO 3744, LpA measured at 1 m distance from fan axis. The values given are only applicable under the specified measuring conditions and may differ depending on the installation conditions. In the event of deviation

The product is manufactured in accordance with EN 60335-1, UL1004-7, and RoHS directive 2015/863/CE
IP class according to EN 60034-5 to be checked with operation and installation