

Technical data sheet

Revision g
Revision 03/2024

ECOFIT

by



Model
S03-A3-1

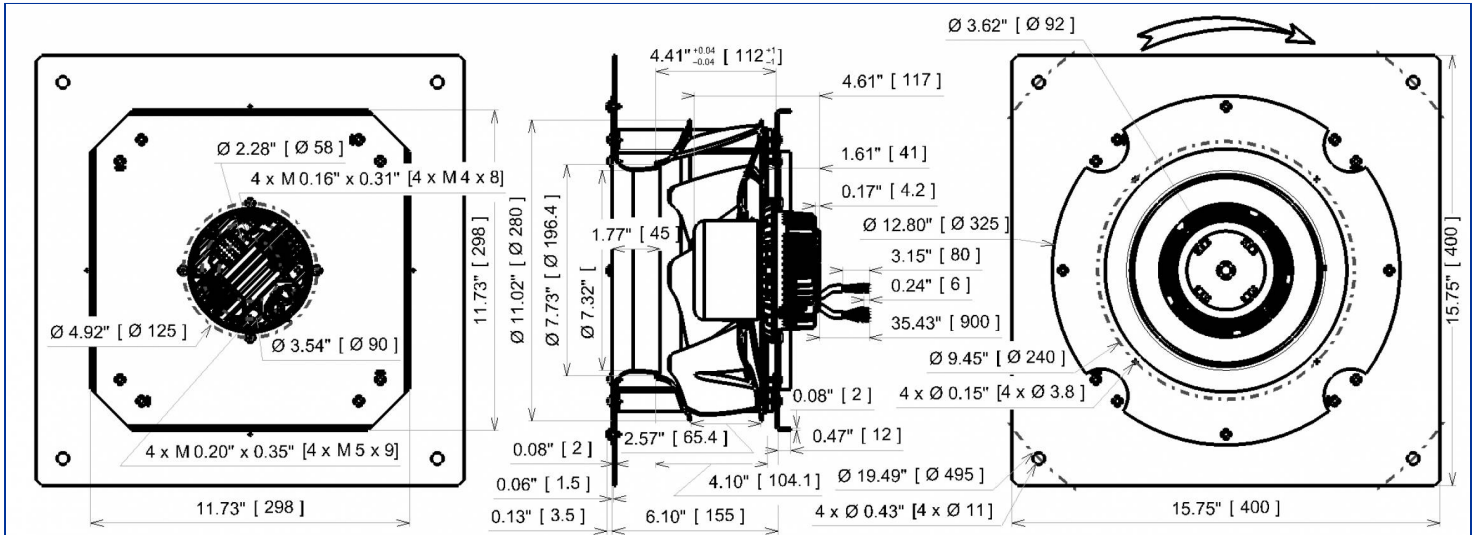


Designation **RRMuV8 280x65R**

Range Backward curved centrifugal fans with electronic commutation motor

ELECTRICAL DATA

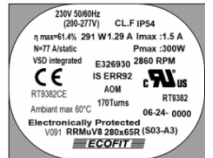
Tension (V)	230
Frequency (Hz)	50/60
Current (A)	1.29
Maximum current (A)	1.50
Power (W)	291
Maximum power (W)	300
Rotation (RPM)	2860
Cos Φ	0.981
Temperature min/max (°C)	-25/+60



MARKING & STANDARDS

Conformity

- CE** RT9382CE IEC 60335-2-80, IEC 60335-1, EN 60331-2-80, EN 60335-1
- UL** RT9382 UL1004-1, 2nd edition rotating electrical machine
File number E326930



The product is manufactured in accordance with EN 60335-1, UL1004-1, and RoHS directive 2015/863/CE
IP class according to EN 60034-5 to be checked with operation and installation

Issued: 2024-03-14 at 11:40 Documentations and pictures are non contractual, all the data of the technical file and the drawing are subject to change.

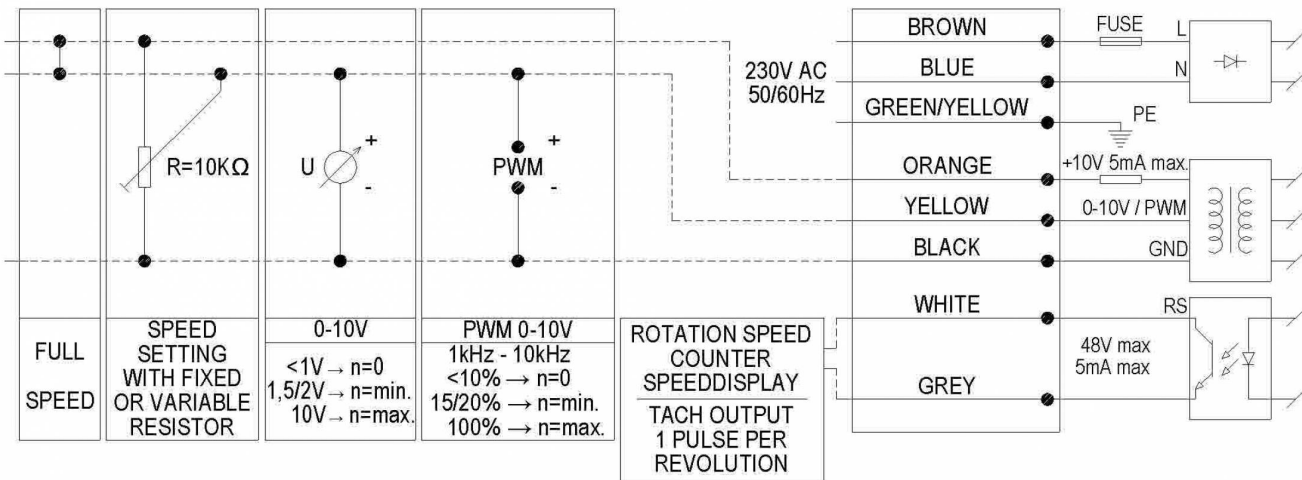
EN - Page 1 / 4

TECHNICAL DATA

Description

- Weight: 7.00 kg
- Class F
- Protection level: 54 | Protection against ingress of dust / Protection against ingress of water : splashing
- Motor's protection Electronically protected
- Bearing type: 2 ball bearings 6000ZZ
- Balance level: G2.5

Wiring diagram



Finishes

- Rotor electrolytic galvanizing protection
- PA 6/6 UL 94 V-0 plastic impeller

The product is manufactured in accordance with EN 60335-1, UL1004-1, and RoHS directive 2015/863/CE
IP class according to EN 60034-5 to be checked with operation and installation

Issued: 2024-03-14 at 11:40 Documentations and pictures are non contractual, all the data of the technical file and the drawing are subject to change.

EN - Page 2 / 4



by



ADDITIONAL DATA

Optional accessories

- 21360 | Finger guard

Documentations

- Operating and recycling manual
<http://www.ecofit.com/anglais/normes>

Measurement setup

- Ouie ED11-28 Ouie ED11-280

ERP DATA

Data according to ErP directive

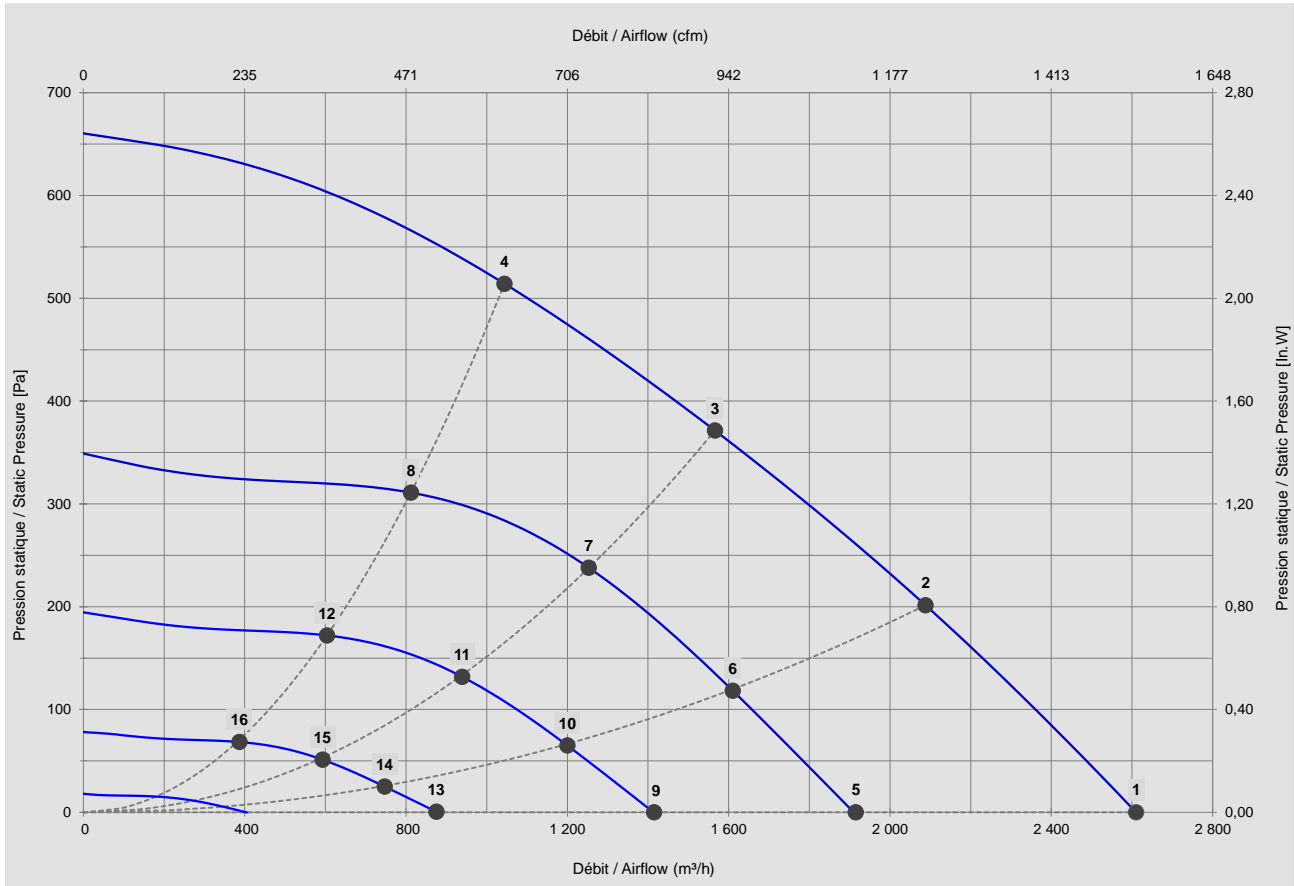
- Designed for standard applications according to the directive EU 2009/125/EC

Tension	230 V
Frequency	50/60 Hz
Power ¹	0.3 kW
Airflow ¹	1424 m3/h
Pressure ¹	414 Pa
Rotation ¹	2623 RPM
Catégorie de mesure	A
Catégorie de rendement	total
Variateur de vitesse	Yes
Rapport spécifique	1.00

	Actual	2015
Rendement global	61.4	46.0
Niveau de rendement	77	62

¹ at optimum energy efficiency point

TECHNICAL DATA



Mesures / Measured Values*

	Un (V)	Vctl (Vdc)	F (Hz)	P (W)	n (RPM)	Q (m³/h)	P (Pa)	Q (cfm)	P (In.W)	Lp _n (dBA)
1	230	10	50/60	291	2860	2 610	0	1 536	0,000	79
2	230	10	50/60	301	2712	2 088	201	1 229	0,807	77
3	230	10	50/60	299	2621	1 566	371	922	1,487	77
4	230	10	50/60	302	2703	1 044	514	615	2,060	80
5	230	8	50/60	121	2110	1 915	0	1 127	0,000	72
6	230	8	50/60	143	2106	1 610	118	948	0,474	72
7	230	8	50/60	158	2106	1 253	238	738	0,953	72
8	230	8	50/60	146	2107	812	311	478	1,246	74
9	230	6	50/60	57	1575	1 415	0	833	0,000	68
10	230	6	50/60	67	1575	1 200	65	706	0,260	66
11	230	6	50/60	73	1575	939	132	553	0,528	64
12	230	6	50/60	68	1573	604	172	356	0,689	65
13	230	4	50/60	21	998	875	1	515	0,002	
14	230	4	50/60	24	998	747	25	440	0,100	
15	230	4	50/60	24	998	593	51	349	0,205	
16	230	4	50/60	24	998	387	68	228	0,274	

* Air performance measured according to: ISO 5801, installation category C.
Intake-side sound level: according to ISO 3744, LpA measured at 1 m distance from fan axis. The values given are only applicable under the specified measuring conditions and may differ depending on the installation conditions. In the event of deviation

The product is manufactured in accordance with EN 60335-1, UL1004-1, and RoHS directive 2015/863/CE
IP class according to EN 60034-5 to be checked with operation and installation