

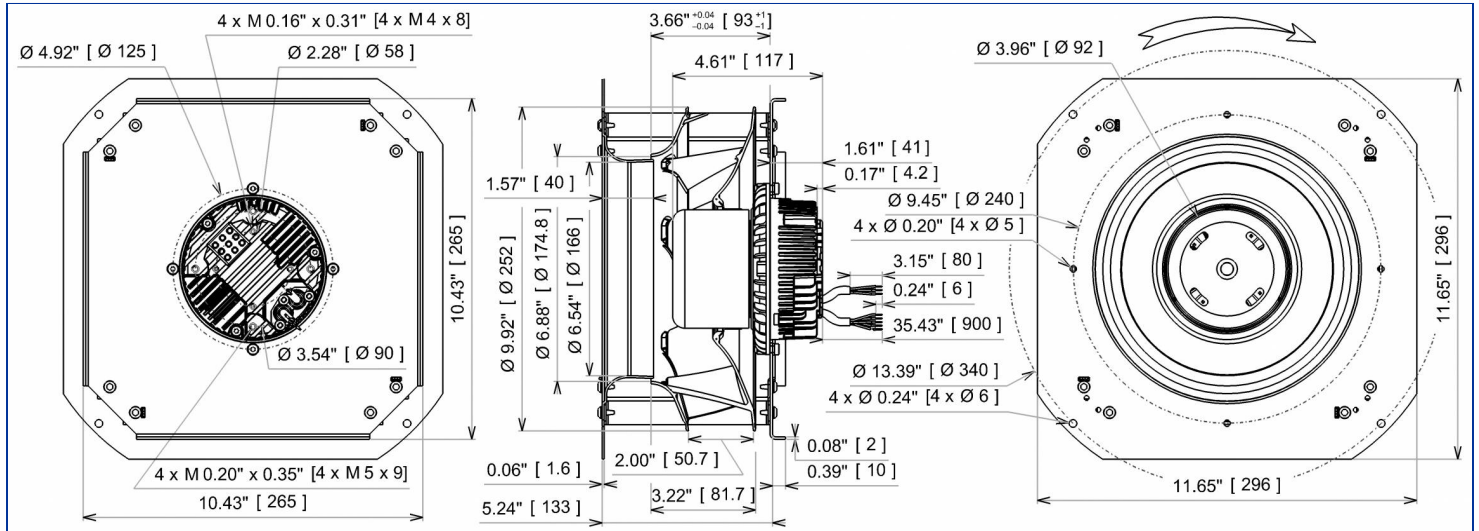


Designation **RRMuV8 250x50R**

Range **Backward curved centrifugal fans with electronic commutation motor**

ELECTRICAL DATA

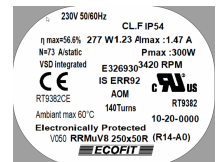
|                          |         |
|--------------------------|---------|
| Tension (V)              | 230     |
| Frequency (Hz)           | 50/60   |
| Current (A)              | 1.23    |
| Maximum current (A)      | 1.47    |
| Power (W)                | 277     |
| Maximum power (W)        | 300     |
| Rotation (RPM)           | 3420    |
| Cos Φ                    | 0.979   |
| Temperature min/max (°C) | -20/+60 |



MARKING & STANDARDS

Conformity

- **CE** RT9382CE IEC 60335-2-80:2002 + A1:2004 +
- **UL** RT9382 UL1004-1, 2nd edition rotating electrical machine File number E326930



The product is manufactured in accordance with EN 60335-1, UL1004-1, and RoHS directive 2015/863/CE  
IP class according to EN 60034-5 to be checked with operation and installation

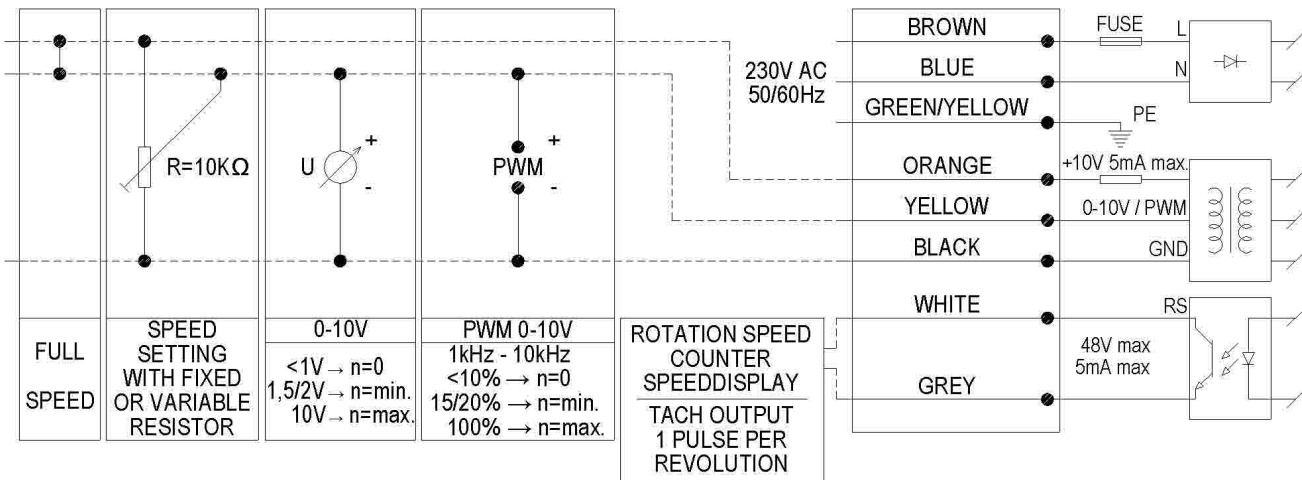
Issued: 06/03/2020 at 10:48 Documentations and pictures are non contractual, all the data of the technical file and the drawing are subject to change.

TECHNICAL DATA

Description

- Weight: 3.50 kg
- Class F
- Protection level: 54 | Protection against ingress of dust / Protection against ingress of water : splashing
- Motor's protection Electronically protected
- Bearing type: 2 ball bearings 6000ZZ
- Balance level: G2.5

Wiring diagram



Finishes

- Motor - UL Recognized component
- Rotor electrolytic galvanizing protection
- PA 6/6 UL 94 V-0 plastic impeller



ADDITIONAL DATA

Accessories

- 21360 | Finger guard

Documentations

- Operating and recycling manual  
<http://www.ecofit.com/anglais/normes>

Measurement setup

- Ouie 16234-0 Ouie 250R69

ERP DATA

Data according to ErP directive

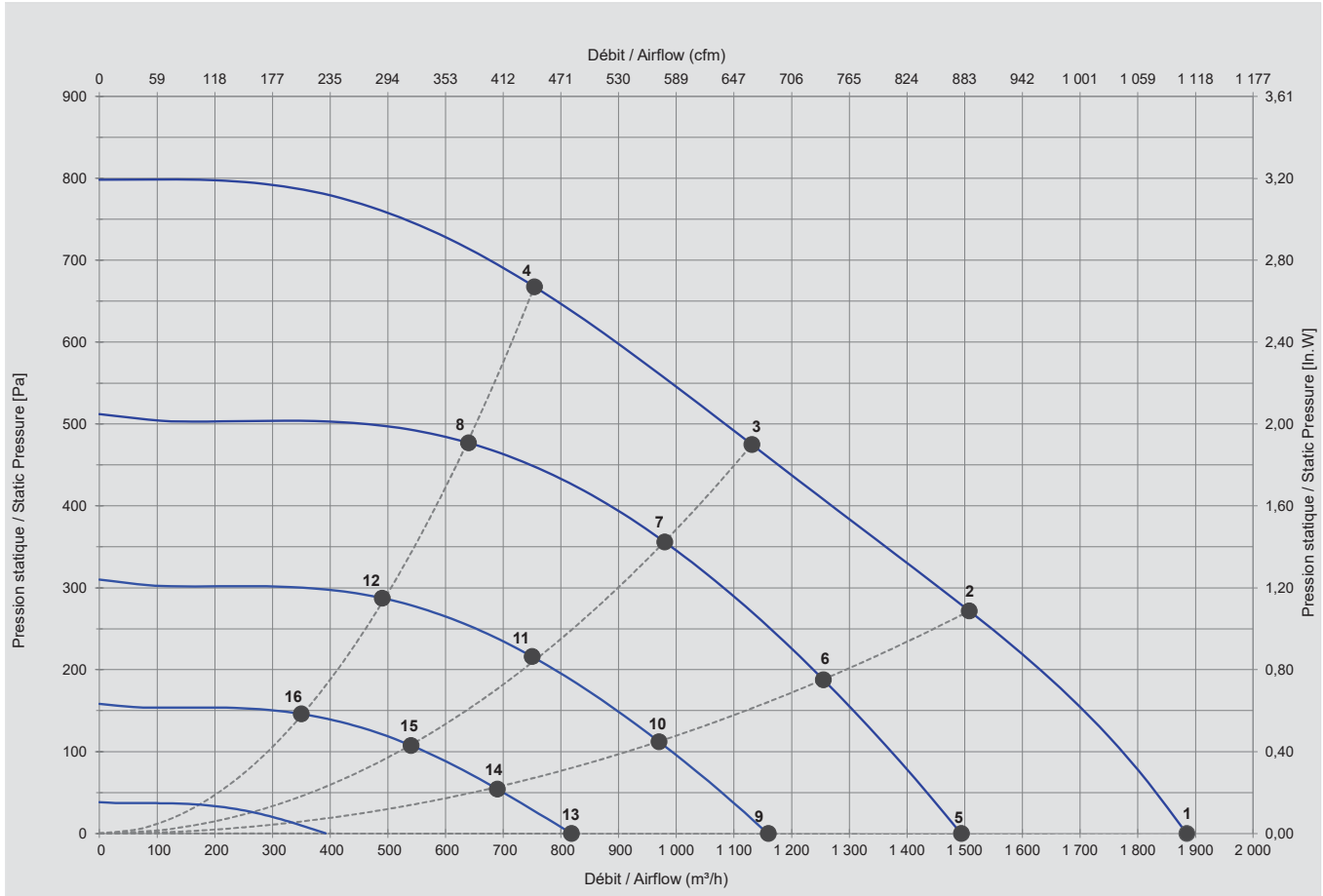
|                        |          |
|------------------------|----------|
| Tension                | 230 V    |
| Frequency              | 50/60 Hz |
| Power <sup>1</sup>     | 0.3 kW   |
| Airflow <sup>1</sup>   | 970 m3/h |
| Pressure <sup>1</sup>  | 560 Pa   |
| Rotation <sup>1</sup>  | 3180 RPM |
| Catégorie de mesure    | A        |
| Catégorie de rendement | total    |
| Variateur de vitesse   | Yes      |
| Rapport spécifique     | 1.00     |

- Designed for standard applications according to the directive EU 2009/125/EC

|                     | Actual | 2015 |
|---------------------|--------|------|
| Rendement global    | 56.6   | 46.0 |
| Niveau de rendement | 73     | 62   |

<sup>1</sup> at optimum energy efficiency point

TECHNICAL DATA



Mesures / Measured Values\*

|    | Un (V) | Vctl (Vdc) | F (Hz) | P (W) | n (RPM) | Q (m³/h) | P (Pa) | Q (cfm) | P (In.W) | Lp <sub>in</sub> (dBA) |
|----|--------|------------|--------|-------|---------|----------|--------|---------|----------|------------------------|
| 1  | 230    | 10         | 50/60  | 277   | 3420    | 1 885    | 0      | 1 110   | 0,000    |                        |
| 2  | 230    | 10         | 50/60  | 301   | 3301    | 1 508    | 272    | 888     | 1,088    |                        |
| 3  | 230    | 10         | 50/60  | 299   | 3174    | 1 131    | 475    | 666     | 1,903    |                        |
| 4  | 230    | 10         | 50/60  | 302   | 3249    | 754      | 668    | 444     | 2,675    |                        |
| 5  | 230    | 8          | 50/60  | 151   | 2751    | 1 494    | 0      | 879     | 0,000    |                        |
| 6  | 230    | 8          | 50/60  | 178   | 2759    | 1 255    | 188    | 739     | 0,752    |                        |
| 7  | 230    | 8          | 50/60  | 198   | 2759    | 980      | 356    | 577     | 1,426    |                        |
| 8  | 230    | 8          | 50/60  | 187   | 2754    | 640      | 477    | 377     | 1,911    |                        |
| 9  | 230    | 6          | 50/60  | 78    | 2150    | 1 160    | 0      | 682     | 0,000    |                        |
| 10 | 230    | 6          | 50/60  | 89    | 2145    | 970      | 112    | 571     | 0,449    |                        |
| 11 | 230    | 6          | 50/60  | 99    | 2146    | 750      | 216    | 441     | 0,865    |                        |
| 12 | 230    | 6          | 50/60  | 93    | 2142    | 490      | 287    | 288     | 1,151    |                        |
| 13 | 230    | 4          | 50/60  | 36    | 1535    | 818      | 0      | 482     | 0,000    |                        |
| 14 | 230    | 4          | 50/60  | 41    | 1536    | 690      | 54     | 406     | 0,217    |                        |
| 15 | 230    | 4          | 50/60  | 43    | 1535    | 540      | 107    | 318     | 0,431    |                        |
| 16 | 230    | 4          | 50/60  | 41    | 1535    | 350      | 146    | 206     | 0,585    |                        |

\* Air performance measured according to: ISO 5801, installation category C.  
Intake-side sound level: according to ISO 3744, LpA measured at 1 m distance from fan axis. The values given are only applicable under the specified measuring conditions and may differ depending on the installation conditions. In the event of deviation

The product is manufactured in accordance with EN 60335-1, UL1004-1, and RoHS directive 2015/863/CE  
IP class according to EN 60034-5 to be checked with operation and installation