

# Technical data sheet

Revision d  
Revision 01/2023

**ECOFIT**

by

**rosenberg**  
THE AIR MOVEMENT GROUP  
VENDOME

Model  
Q13-A7-1

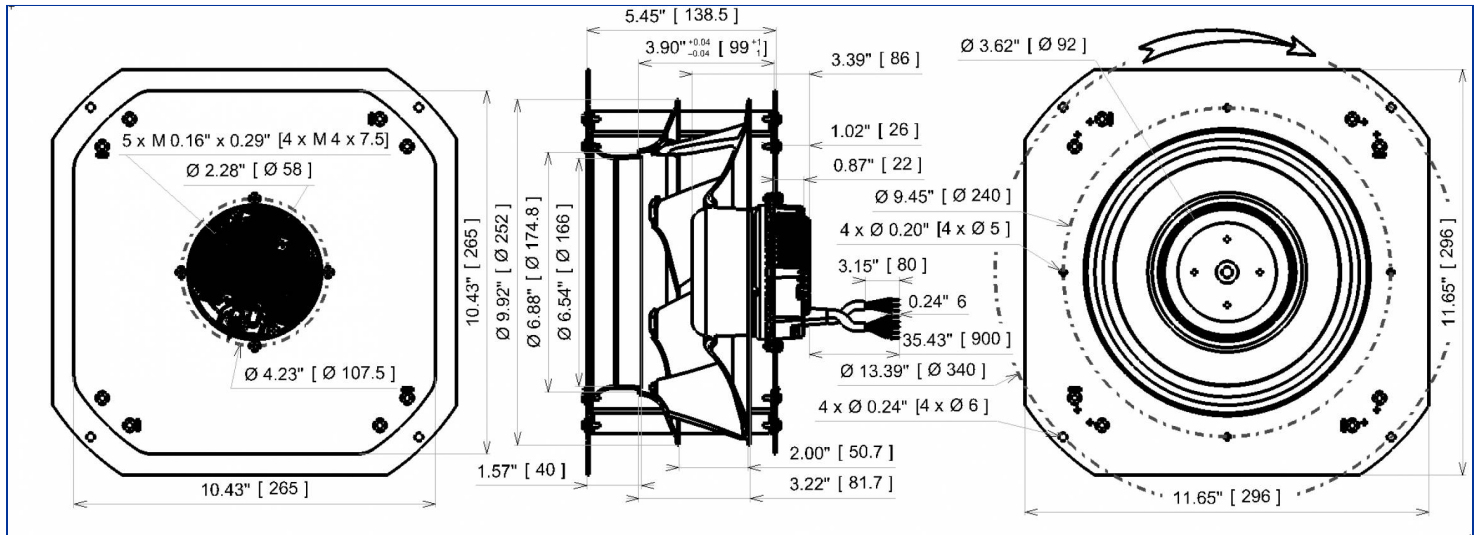


Designation **RRMuG9 250x50R (120V)**

Range Backward curved centrifugal fans with electronic commutation motor

## ELECTRICAL DATA

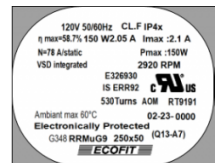
Tension (V)	120
Frequency (Hz)	50/60
Current (A)	2.05
Maximum current (A)	2.10
Power (W)	150
Maximum power (W)	150
Rotation (RPM)	2920
Cos Φ	0.610
Temperature min/max (°C)	-25/+60



## MARKING & STANDARDS

### Conformity

- **UL RT9191 UL1004-1**, 2nd edition rotating electrical machine  
File number E326930



The product is manufactured in accordance with EN 60335-1, UL1004-1, and RoHS directive 2015/863/CE  
 IP class according to EN 60034-5 to be checked with operation and installation

Issued: 2023-01-10 at 14:38 Documentations and pictures are non contractual, all the data of the technical file and the drawing are subject to change.

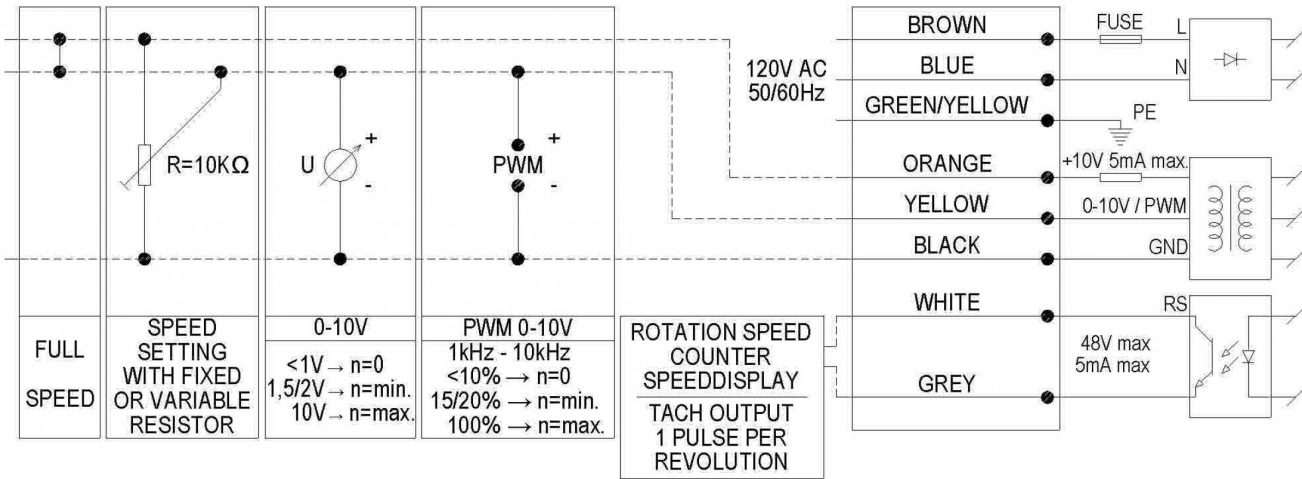
EN - Page 1 / 4

TECHNICAL DATA

Description

- Weight: 3.65 kg
- With Condensat Drain Holes
- Class F
- Protection level: 4x | Protection against ingress of solid with diameter  $\geq 1$  mm / No information
- Motor's protection Electronically protected
- Bearing type: 2 ball bearings 608ZZ
- Balance level: G2.5

Wiring diagram



Finishes

- Rotor : black paint
- PA 6/6 UL 94 V-0 plastic impeller

ADDITIONAL DATA

Accessories

- 21360 | Finger guard

Documentations

- Operating and recycling manual  
<http://www.ecofit.com/anglais/normes>

Measurement setup

- Ouie 16234-0 Ouie 250R69

ERP DATA

Data according to ErP directive

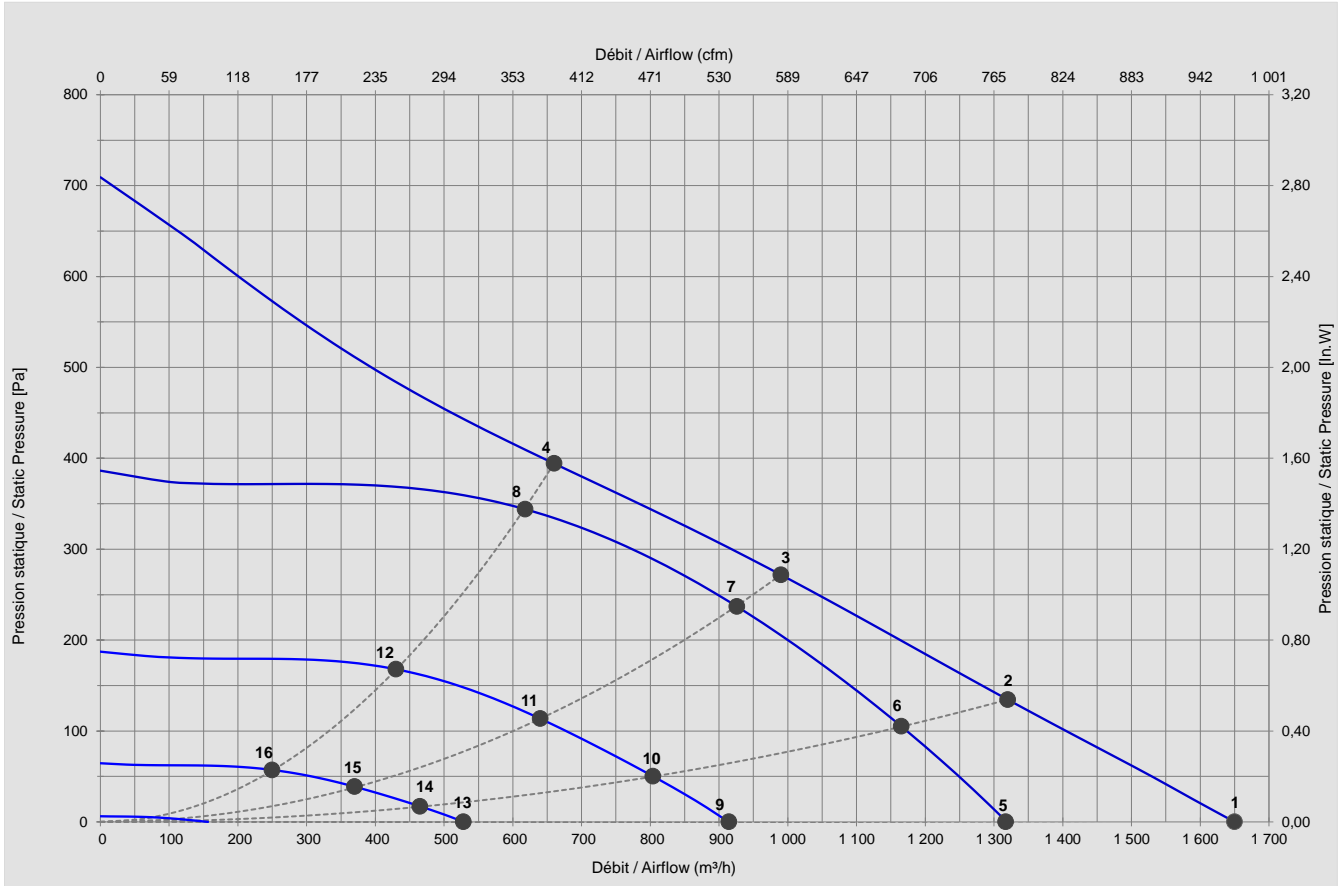
Tension	120 V
Frequency	50/60 Hz
Power <sup>1</sup>	0.15 kW
Airflow <sup>1</sup>	864 m3/h
Pressure <sup>1</sup>	321 Pa
Rotation <sup>1</sup>	2527 RPM
Catégorie de mesure	A
Catégorie de rendement	total
Variateur de vitesse	Yes
Rapport spécifique	1.00

- Designed for standard applications according to the directive EU 2009/125/EC

	Actual	2015
Rendement global	58.7	42.8
Niveau de rendement	78	62

<sup>1</sup> at optimum energy efficiency point

TECHNICAL DATA



Mesures / Measured Values\*

	Un (V)	Vctl (Vdc)	F (Hz)	P (W)	n (RPM)	Q (m³/h)	P (Pa)	Q (cfm)	P (In.W)	Lp <sub>in</sub> (dBA)
1	120	10	50/60	150	2920	1 650	0	971	0,000	75
2	120	10	50/60	150	2690	1 320	135	777	0,539	73
3	120	10	50/60	150	2548	990	272	583	1,089	71
4	120	10	50/60	149	2554	660	394	388	1,580	68
5	120	8	50/60	83	2389	1 317	0	775	0,000	72
6	120	8	50/60	104	2388	1 165	105	686	0,421	71
7	120	8	50/60	125	2388	926	237	545	0,949	71
8	120	8	50/60	123	2384	618	344	364	1,378	67
9	120	6	50/60	31	1668	915	0	538	0,000	65
10	120	6	50/60	36	1669	804	50	473	0,201	65
11	120	6	50/60	43	1667	640	114	377	0,455	65
12	120	6	50/60	43	1667	430	168	253	0,673	59
13	120	4	50/60	8	979	528	0	311	0,000	
14	120	4	50/60	10	982	465	17	274	0,069	
15	120	4	50/60	11	980	370	39	218	0,155	
16	120	4	50/60	11	981	250	57	147	0,229	

\* Air performance measured according to: ISO 5801, installation category C.

Intake-side sound level: according to ISO 3744, LpA measured at 1 m distance from fan axis. The values given are only applicable under the specified measuring conditions and may differ depending on the installation conditions. In the event of deviation

The product is manufactured in accordance with EN 60335-1, UL1004-1, and RoHS directive 2015/863/CE  
IP class according to EN 60034-5 to be checked with operation and installation