



RRMuG9 225x50R

S04-A0-1

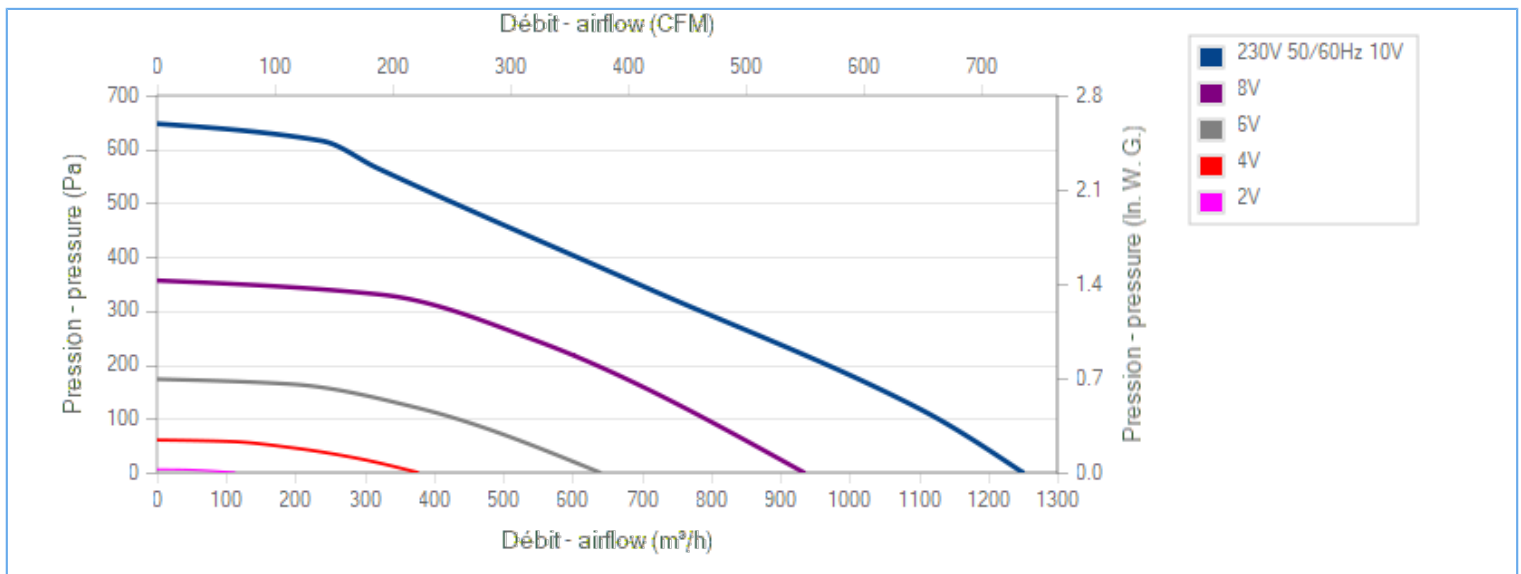
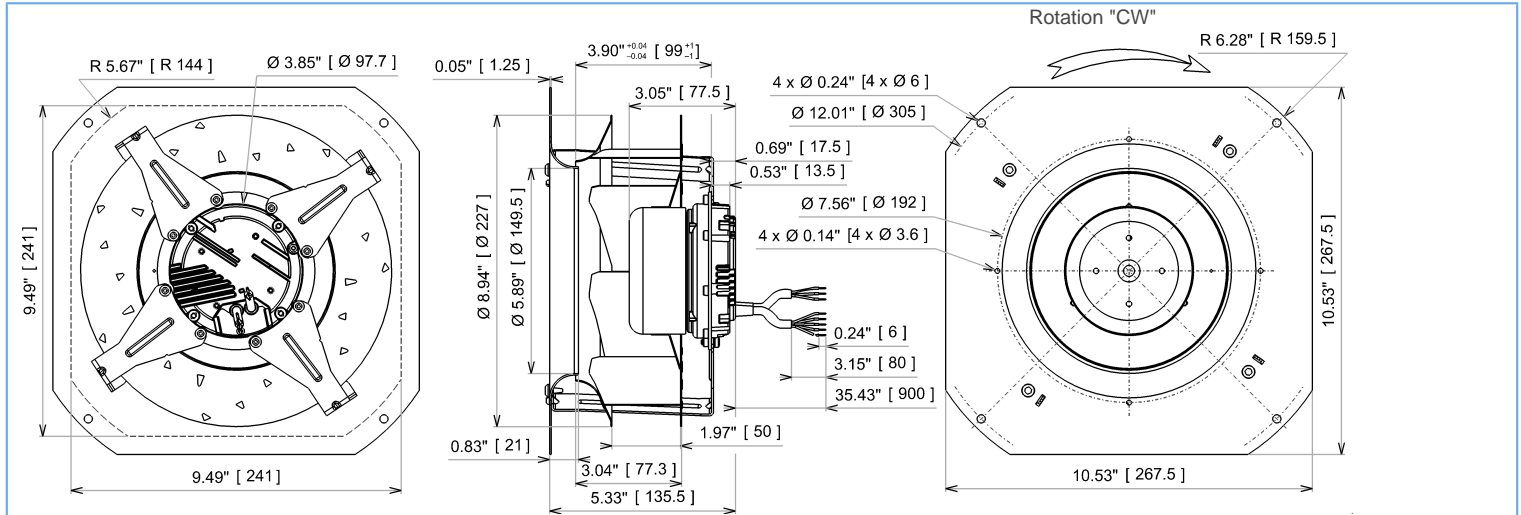
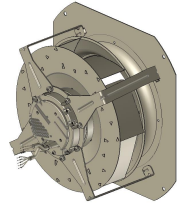


DATA SHEET

release. a - Revision 02-2018

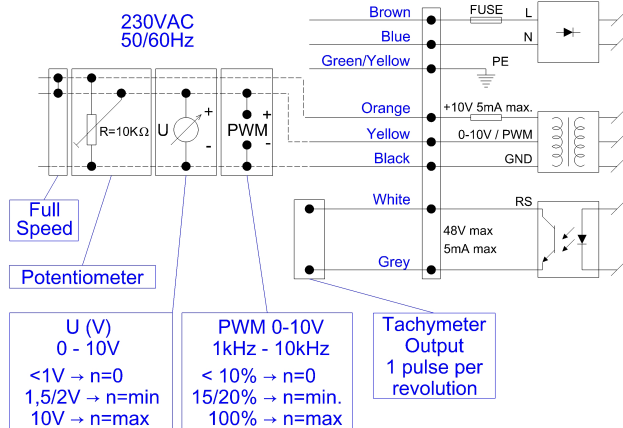
Voltage	Frequency	Input Power	Input Current	Airflow	Rotation speed	Direction rotation	Admissible Temperature
V	Hz	W	A	m ³ /h	RPM		Min/Max
230	50/60	129	1,02	1250	3250	R	-20°C / +50°C
230	50/60			735 CFM			-4°F / 122°F

ErP 2013 OK ErP 2015 OK



Description

- .Weight : 2,8 Kg
- .Ball bearing
- .Insulation Class F
- .IP4x may be IP44 according to EN60034-5 after checking the integration into the customer appliance
- .G2.5 balancing
- .Rotor : black paint
- .Galvanized steel impeller



U (V)
0 - 10V
<1V → n=0
1,5/2V → n=min
10V → n=max

PWM 0-10V
1kHz - 10kHz
< 10% → n=0
15/20% → n=min.
100% → n=max

Tachometer Output
1 pulse per revolution

Non contractual document. All specifications are subject to change without prior notice. Picture for information only.



RRMuG9 225x50R

S04-A0-1



DATA SHEET

release. a - Revision 02-2018

Data in accordance to ErP directive

Voltage	230	V
Frequency	50	Hz
Power	0,150	kW ⁽¹⁾
Airflow	698	m ³ /h ⁽¹⁾
Pressure	348	Pa ⁽¹⁾
Rotation speed	2948	RPM ⁽¹⁾

(1) at optimal efficiency point

	Actual	Request 2013	Request 2015
Overall efficiency (η)	51,5	38,8	42,8
Efficiency grade	71	58	62
Installation category	A		
Efficiency category	static		
Variable speed drive	Yes		
Specific ratio	1,00		

Designed for regular application according ErP directive EU 2009/125/EC

Accessories

21194

Measurement setup

16236

Documents

Manuel d'utilisation
www.ecofit.com/site/normes

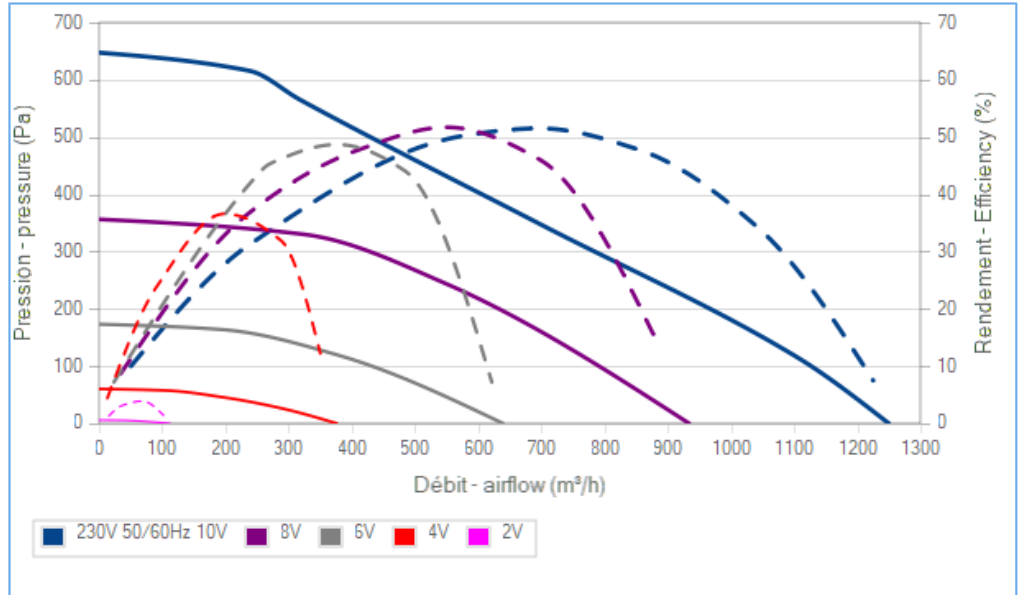
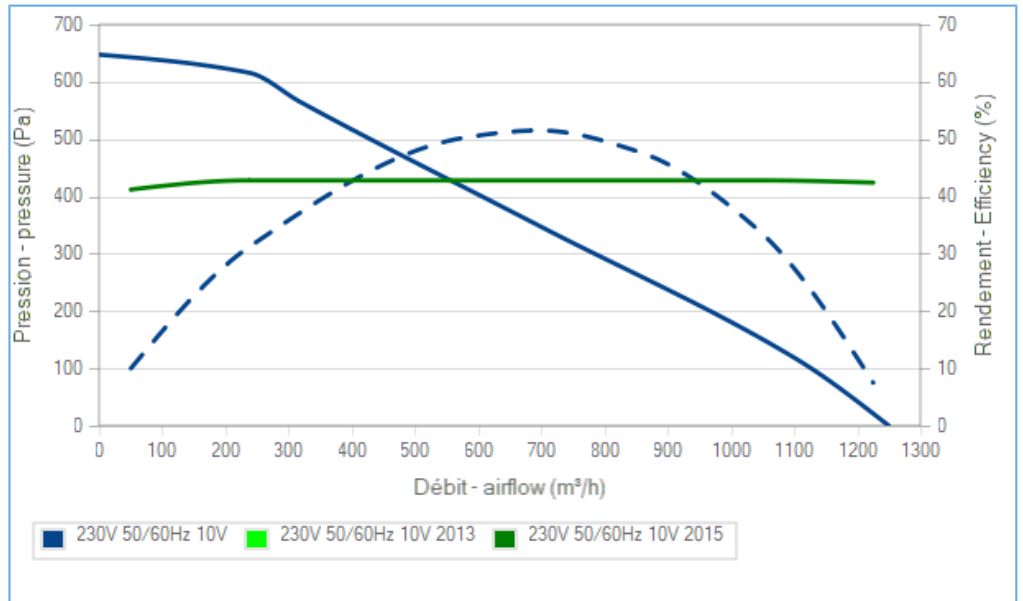
Operating and recycling manual
www.ecofit.com/anglais/normes



IEC 60335-2-80:2002 + A1:2004 + IEC 60335-1:2010
 EN 60335-2-80:2003 + A1:2004 + A2:2009 + EN 60335-1:2012
 RT9192CE



UL1004-1, 2nd edition "rotating electrical machine"
 UL1004-3, 1st edition "thermally protected motors"
 UL1004-7, 2nd edition "electronically protected motors"
 C22.2 N°100-04, 6th edition "motors and generator"
 C22.2 N°77-95, 7th edition "motors with inherent overheating protection"
 UL Motor Model : RT9192
 File Number : E326930 XDNW2,8



La courbe de rendement intègre le facteur de compensation de charge partielle du règlement (UE) n°327/2011
 The efficiency curve includes part load compensation factor of regulation (EU) n°327/2011

Non contractual document. All specifications are subject to change without prior notice. Picture for information only.