



RREuV8 280x50R

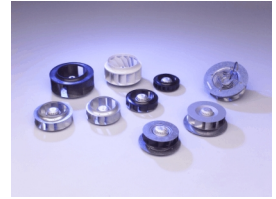
R46-A9-1



DATA SHEET

release. 0 - Revision 09-2018

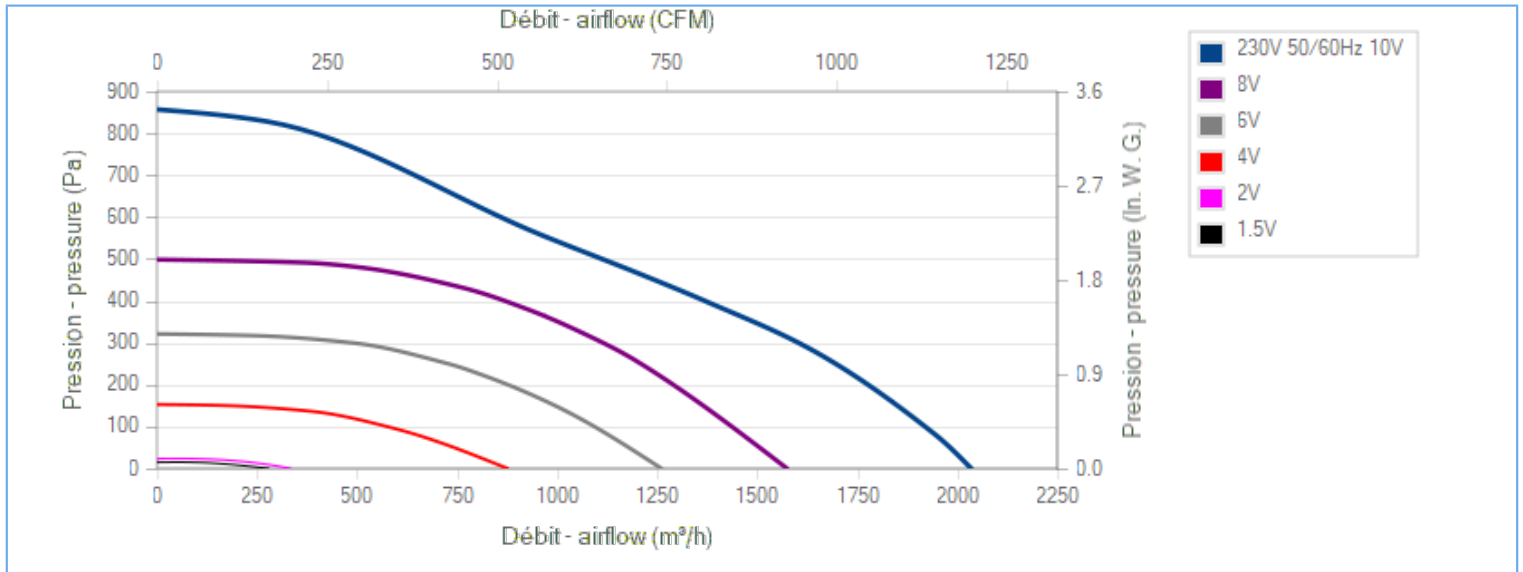
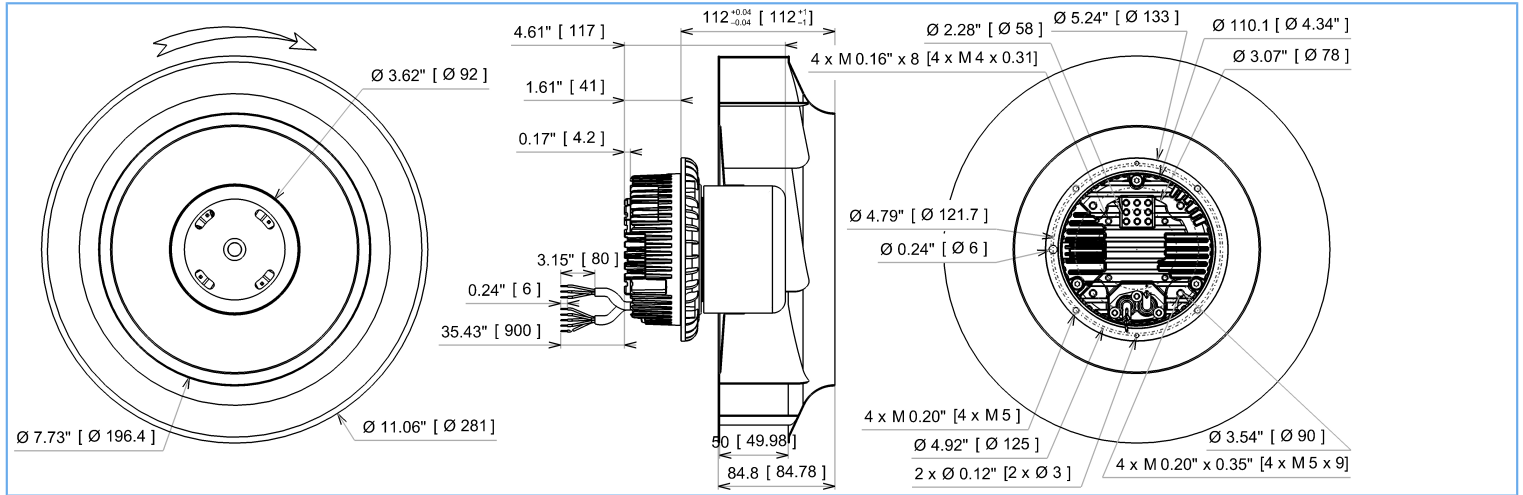
Voltage	Frequency	Input Power	Input Current	Airflow	Rotation speed	Acoustic level	Direction rotation	Admissible Temperature
V	Hz	W	A	m ³ /h	RPM	dBA	↻	Min/Max
230	50/60	222	0,99	2035	2955		R	-25°C / +60°C
230	50/60			1197 CFM				-13°F / 140°F



dBA : free blowing

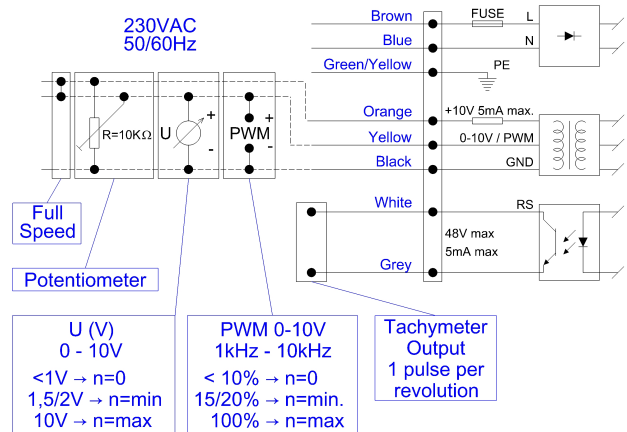
ErP 2013 **OK**

ErP 2015 **OK**



Description

- .Weight : 3,1 Kg
- .Ball bearing
- .Insulation Class F
- .IP54 protection depending on installation and position as per EN60034-5
- .G2.5 balancing
- .Rotor electrolytic galvanizing protection
- .Galvanized steel impeller



Non contractual document. All specifications are subject to change without prior notice. Picture for information only.



RREuV8 280x50R

R46-A9-1



DATA SHEET

release. 0 - Revision 09-2018

Data in accordance to ErP directive

Voltage	230	V
Frequency	50	Hz
Power	0,300	kW ⁽¹⁾
Airflow	1182	m ³ /h ⁽¹⁾
Pressure	473	Pa ⁽¹⁾
Rotation speed	2661	RPM ⁽¹⁾

(1) at optimal efficiency point

	Actual	Request 2013	Request 2015
Overall efficiency (η)	58,1	42	46
Efficiency grade	74	58	62
Installation category	A		
Efficiency category	static		
Variable speed drive	Yes		
Specific ratio	1,00		

Designed for regular application according ErP directive EU 2009/125/EC

Accessories

16254

21360

Measurement setup

ED11

Documents

Manuel d'utilisation
www.ecofit.com/site/normes

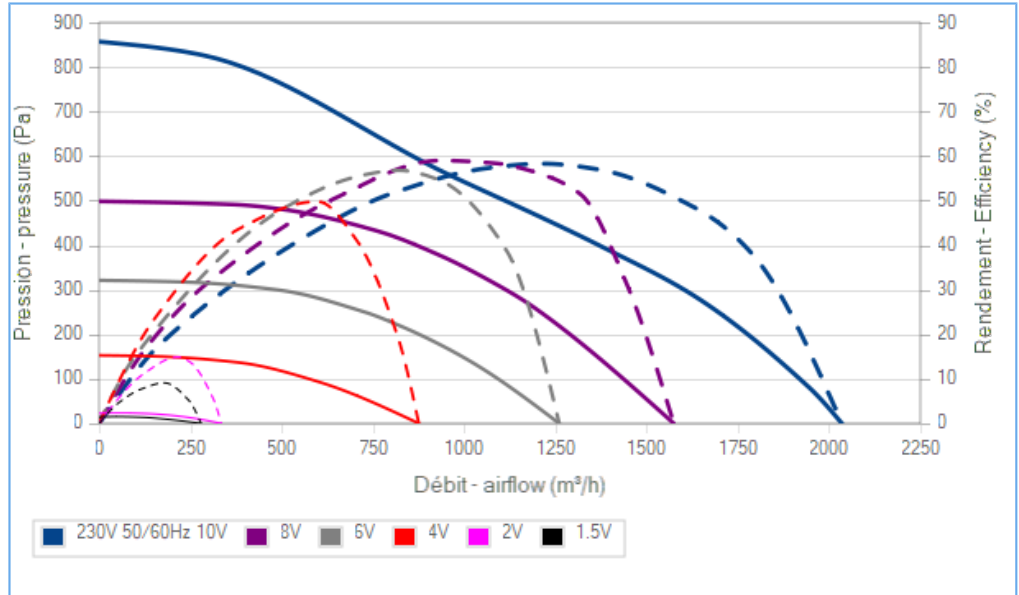
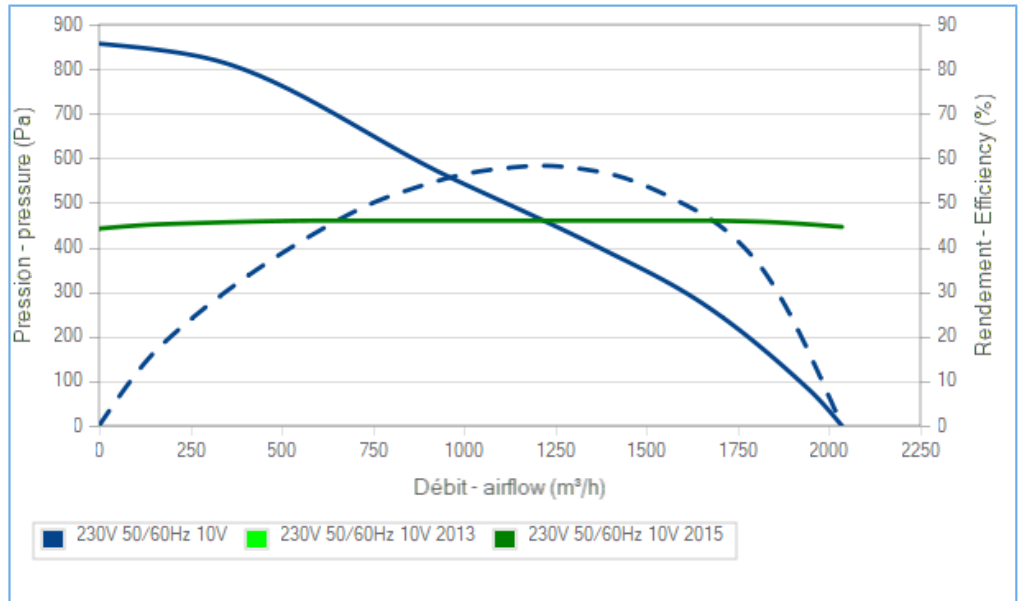
Operating and recycling manual
www.ecofit.com/anglais/normes



IEC 60335-2-80:2002 + A1:2004 +
 IEC 60335-1:2010
 EN 60335-2-80:2003 + A1:2004 + A2:2009 +
 EN 60335-1:2012
 RT9382CE



UL1004-1, 2nd edition "rotating electrical machine"
 UL1004-3, 1st edition "thermally protected motors"
 UL1004-7, 2nd edition "electronically protected motors"
 C22.2 N°100-04, 6th edition "motors and generator"
 C22.2 N°77-95, 7th edition "motors with inherent overheating protection"
 UL Motor Model : RT9382
 File Number : E326930 XDNW2,8



La courbe de rendement intègre le facteur de compensation de charge partielle du règlement (UE) n°327/2011
 The efficiency curve includes part load compensation factor of regulation (EU) n°327/2011

Non contractual document. All specifications are subject to change without prior notice. Picture for information only.