

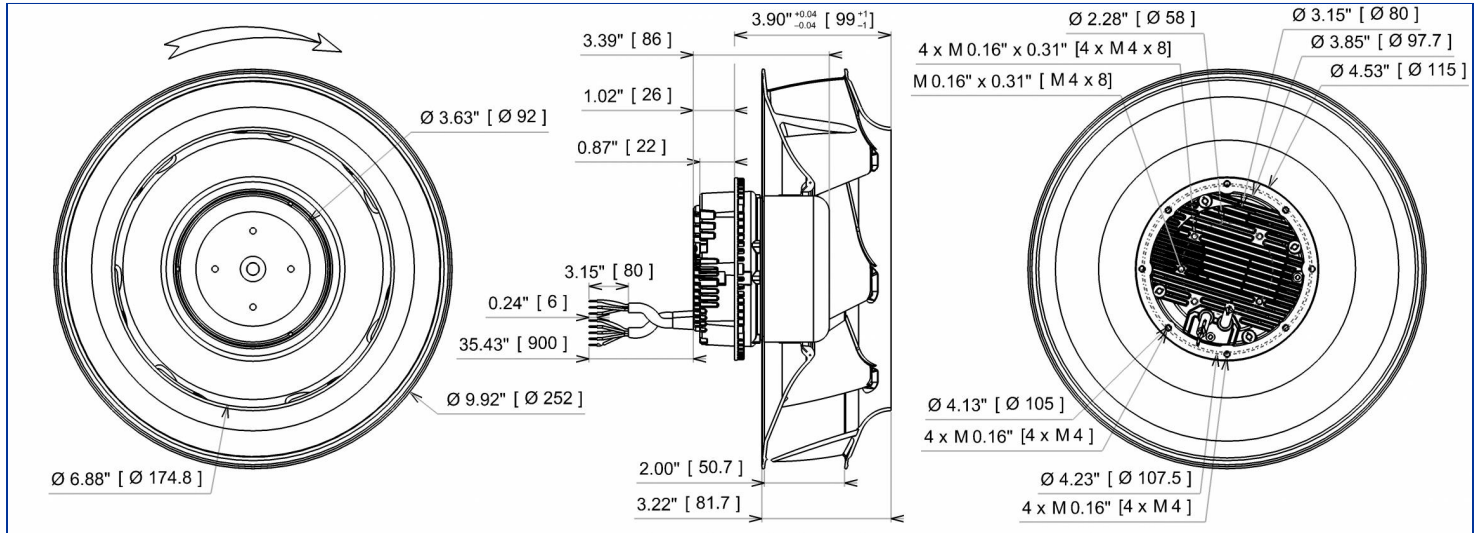


Designation **RREuG9 250x50R (120V)**

Range **Backward curved centrifugal fans with electronic commutation motor**

ELECTRICAL DATA

Tension (V)	120
Frequency (Hz)	50/60
Current (A)	1.98
Maximum current (A)	2.10
Power (W)	150
Maximum power (W)	150
Rotation (RPM)	2945
Cos Φ	0.631
Temperature min/max (°C)	-25/+60



MARKING & STANDARDS

Conformity

- **UL RT9191 UL1004-1**, 2nd edition rotating electrical machine File number E326930

The product is manufactured in accordance with EN 60335-1, UL1004-1, and RoHS directiv 2015/863/CE
IP class according to EN 60034-5 to be checked with operation and installation

Issued: 2021-08-27 at 13:19 Documentations and pictures are non contractual, all the data of the technical file and the drawing are subject to change.

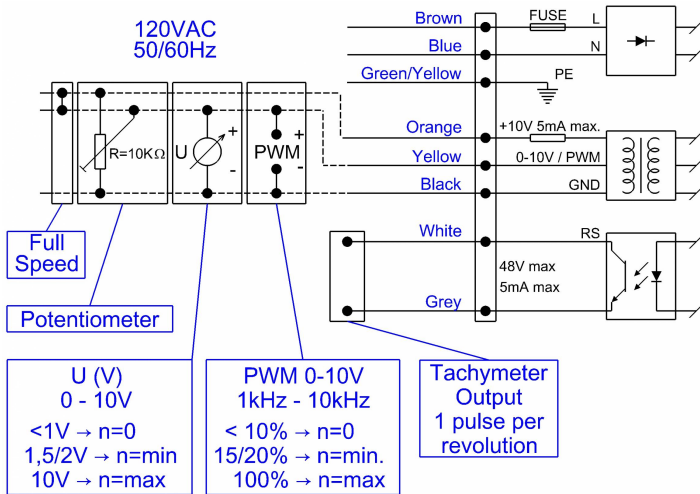
EN - Page 1 / 4

TECHNICAL DATA

Description

- Weight: 1.80 kg
- With Condensat Drain Holes
- Class F
- Protection level: 4x | Protection against ingress of solid with diameter ≥ 1 mm / No information
- Motor's protection Electronically protected
- Bearing type: 2 ball bearings 608ZZ
- Balance level: G2.5

Wiring diagram



Finishes

- Motor - UL Recognized component
- Rotor : black paint
- PA 6/6 UL 94 V-0 plastic impeller

ADDITIONAL DATA

Accessories

- 16234 | Inlet cone
- 21360 | Finger guard

Documentations

- Operating and recycling manual
<http://www.ecofit.com/anglais/normes>

Measurement setup

- Ouie 16234-0 Ouie 250R69

ERP DATA

Data according to ErP directive

Tension	120 V
Frequency	50/60 Hz
Power ¹	0.15 kW
Airflow ¹	851 m3/h
Pressure ¹	312 Pa
Rotation ¹	2590 RPM
Catégorie de mesure	A
Catégorie de rendement	total
Variateur de vitesse	Yes
Rapport spécifique	1.00

- Designed for standard applications according to the directive EU 2009/125/EC

	Actual	2015
Rendement global	56.4	42.8
Niveau de rendement	76	62

¹ at optimum energy efficiency point



TECHNICAL DATA

(File of the diagram is not available)

*The product is manufactured in accordance with EN 60335-1, UL1004-1, and RoHS directive 2015/863/CE
IP class according to EN 60034-5 to be checked with operation and installation*

Issued: 2021-08-27 at 13:19 Documentations and pictures are non contractual, all the data of the technical file and the drawing are subject to change.

EN - Page 4 / 4