

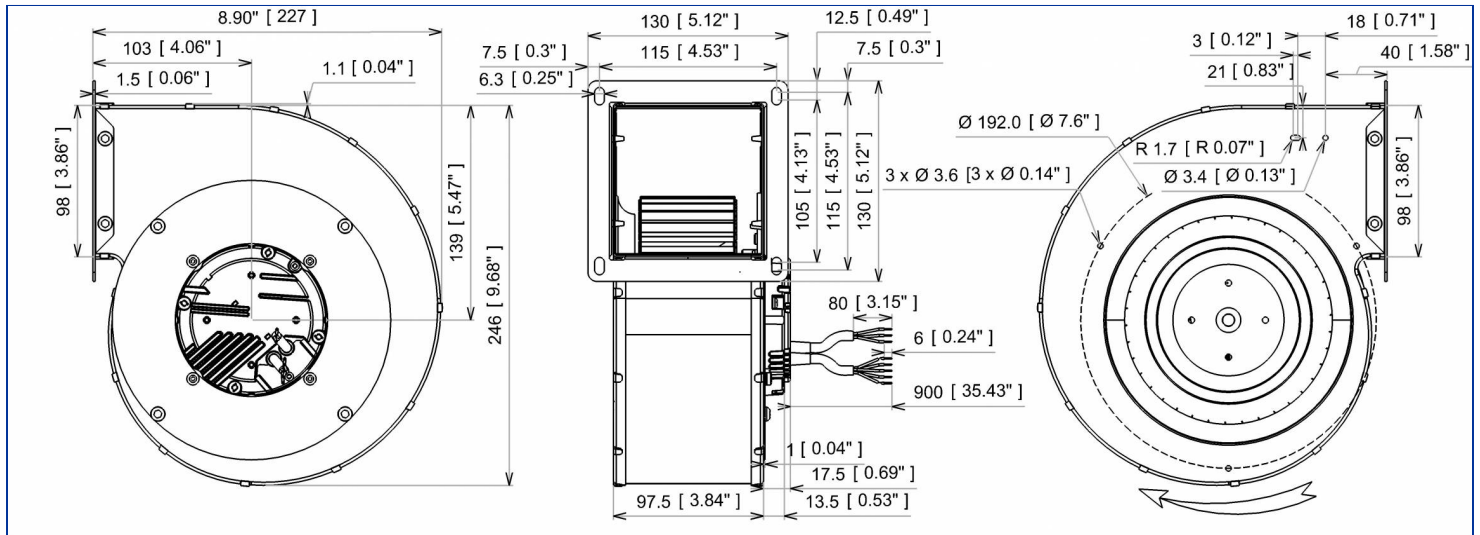


Designation **GREuG9 160x62R**

Range Single inlet centrifugal fans with electronic commutation motor

ELECTRICAL DATA

Tension (V)	230
Frequency (Hz)	50/60
Current (A)	0.49
Maximum current (A)	1.09
Power (W)	56
Maximum power (W)	149
Rotation (RPM)	1390
Cos Φ	0.497
Temperature min/max (°C)	-20/+50



MARKING & STANDARDS

Conformity

- **CE** RT9192CE IEC 60335-2-80:2002 + A1:2004
- **UL** RT9192 UL1004-1, 2nd edition rotating electrical machine File number E326930



The product is manufactured in accordance with EN 60335-1, UL1004-1, and RoHS directive 2015/863/CE
IP class according to EN 60034-5 to be checked with operation and installation

Issued: 2021-07-12 at 09:25 Documentations and pictures are non contractual, all the data of the technical file and the drawing are subject to change.

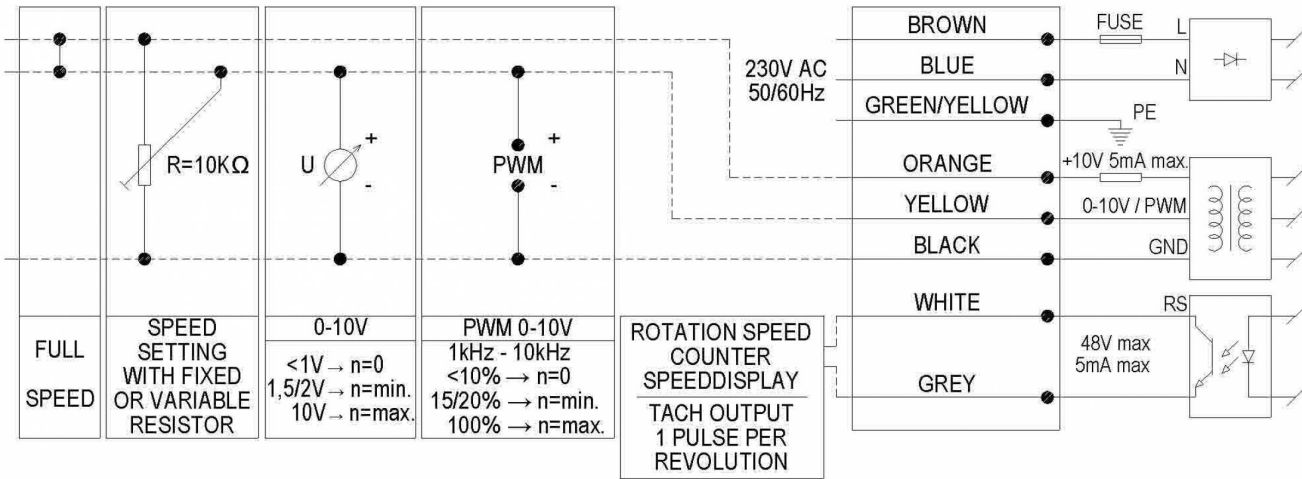
EN - Page 1 / 4

TECHNICAL DATA

Description

- Weight: 2.90 kg
- With Condensat Drain Holes
- Class F
- Protection level: 4x | Protection against ingress of solid with diameter ≥ 1 mm / No information
- Motor's protection Electronically protected
- Bearing type: 2 ball bearings 608ZZ
- Balance level: G2.5

Wiring diagram



Finishes

- Motor - UL Recognized component
- Rotor : black paint
- Galvanized steel impeller
- Galvanized scroll and frame

ADDITIONAL DATA

Accessories

- 21325 | Finger guard

Documentations

- Operating and recycling manual
<http://www.ecofit.com/anglais/normes>

Measurement setup

- Scroll 15327-a VOL VV98D Ouie Ø135

ERP DATA

Data according to ErP directive

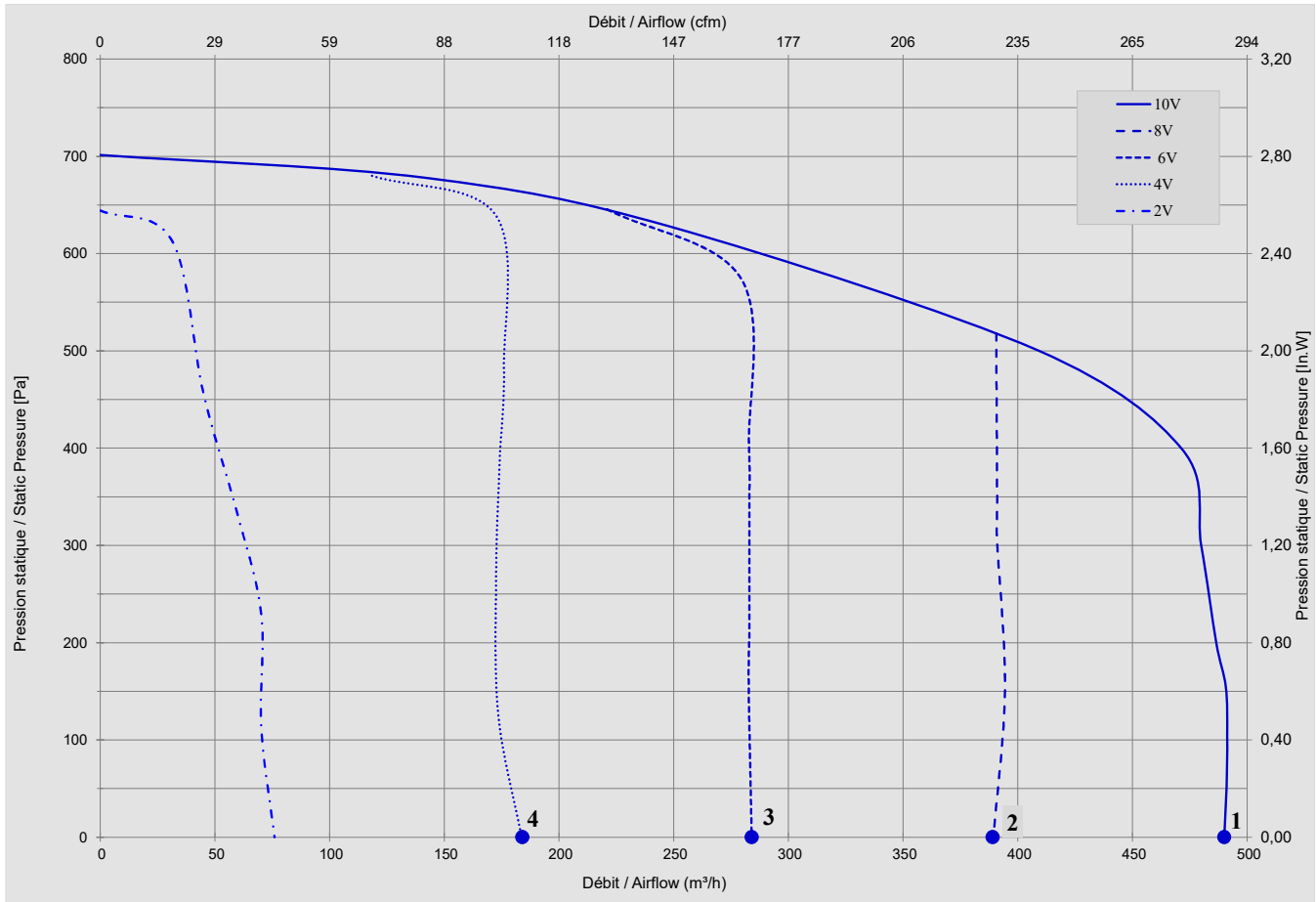
Tension	230 V
Frequency	50/60 Hz
Power ¹	0.129 kW
Airflow ¹	333 m3/h
Pressure ¹	552 Pa
Rotation ¹	2741 RPM
Catégorie de mesure	A
Catégorie de rendement	total
Variateur de vitesse	Yes
Rapport spécifique	1.00

- Designed for standard applications according to the directive EU 2009/125/EC

	Actual	2015
Rendement global	45.4	32.1
Niveau de rendement	57	44

¹ at optimum energy efficiency point

TECHNICAL DATA



	Un (V)	Vctl (Vdc)	F (Hz)	P (W)	n (RPM)	Q (m³/h)	P (Pa)	Q (cfm)	P (In.W)
1	230	10	50/60	56,0	1390	490	0	288	0,000
2	230	8	50/60	29,0	1125	389	0	229	0,000
3	230	6	50/60	12,0	835	284	0	167	0,000
4	230	4	50/60	5,0	525	184	0	108	0,000

* Air performance measured according to: ISO 5801, installation category C.
Intake-side sound level: according to ISO 3744, LpA measured at 1 m distance from fan axis. The values given are only applicable under the specified measuring conditions and may differ depending on the installation conditions. In the event of deviation

The product is manufactured in accordance with EN 60335-1, UL1004-1, and RoHS directive 2015/863/CE
IP class according to EN 60034-5 to be checked with operation and installation