

# Technical data sheet

Revision k  
Revision 06/2022

**ECOFIT**

by

**rosenberg**  
THE AIR MOVEMENT GROUP  
VENDOME

Model  
**M21-A1-1**

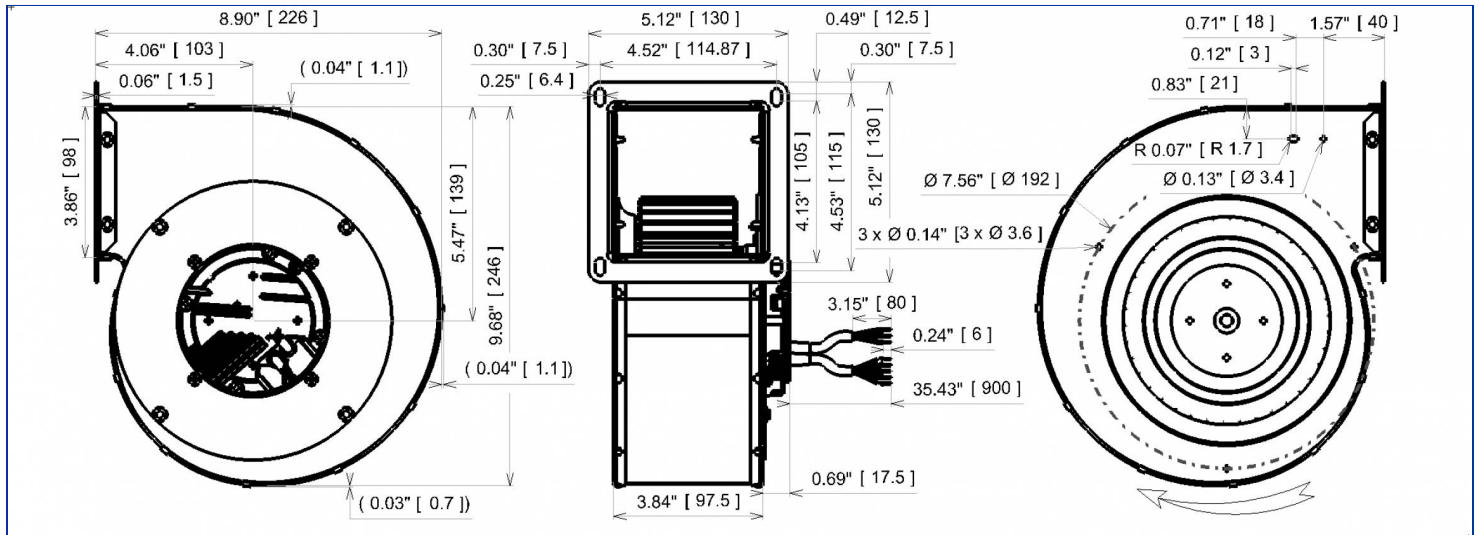


Designation **GREuG9 160x62R**

Range Single inlet centrifugal fans with electronic commutation motor

## ELECTRICAL DATA

Tension (V)	230
Frequency (Hz)	50/60
Current (A)	1.19
Maximum current (A)	1.20
Power (W)	149
Maximum power (W)	150
Rotation (RPM)	1930
Cos Φ	0.544
Temperature min/max (°C)	-20/+50



## MARKING & STANDARDS

### Conformity

- **CE** RT9192CE IEC 60335-2-80:2002 + A1:2004
- **UKCA**
- **UL** RT9192 UL1004-1, 2nd edition rotating electrical machine File number E326930

<b>ECOFIT</b>	<b>cULus</b>	<b>UKCA</b>	<b>CE</b>
GREuG9 160x62R 230V 50/60Hz CL.F 1.19A 149W 1930RPM IP44	E326930 807Tms A20	Ambient max 50°C η max=46.5% Aviatic	IS ERR02 VSD Integrated
Power: 150W Inax: 1.2 A G237 Electrically Protected M21-A1			24-22-0000

The product is manufactured in accordance with EN 60335-1, UL1004-1, and RoHS directiv 2015/863/CE  
IP class according to EN 60034-5 to be checked with operation and installation

Issued: 2022-06-22 at 08:08 Documentations and pictures are non contractual, all the data of the technical file and the drawing are subject to change.

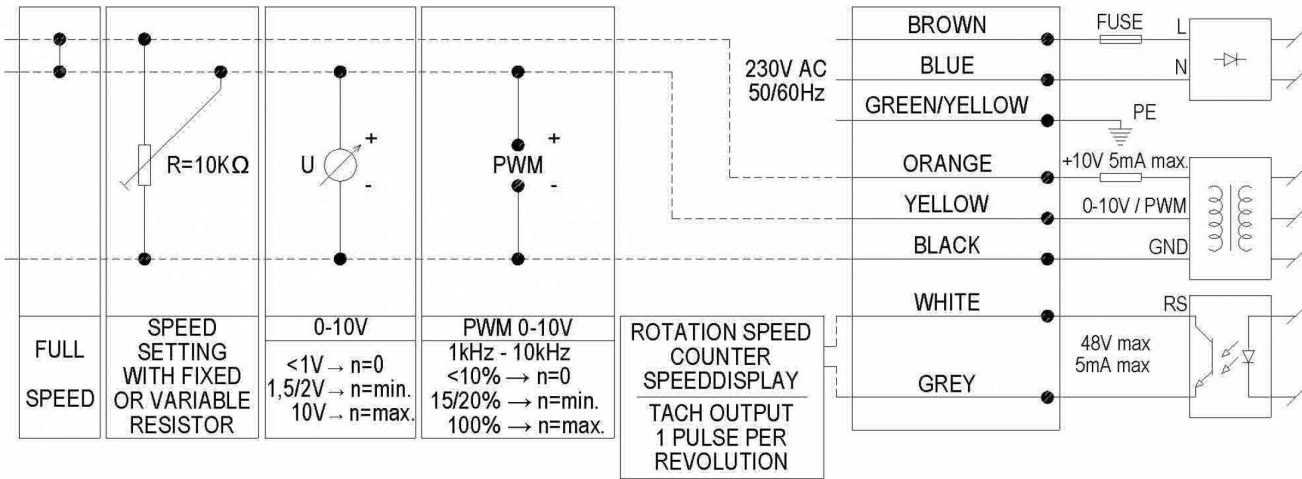
EN - Page 1 / 4

TECHNICAL DATA

Description

- Weight: 2.90 kg
- With Condensat Drain Holes
- Class F
- Protection level: 4x | Protection against ingress of solid with diameter  $\geq 1$  mm / No information
- Motor's protection Electronically protected
- Bearing type: 2 ball bearings 608ZZ
- Balance level: G2.5

Wiring diagram



Finishes

- Galvanized steel impeller
- Galvanized steel scroll housing



by



ADDITIONAL DATA

Accessories

- 21325 | Finger guard

Documentations

- Operating and recycling manual  
<http://www.ecofit.com/anglais/normes>

Measurement setup

- Scroll 15327-a VOL VV98D Ouie Ø135

ERP DATA

Data according to ErP directive

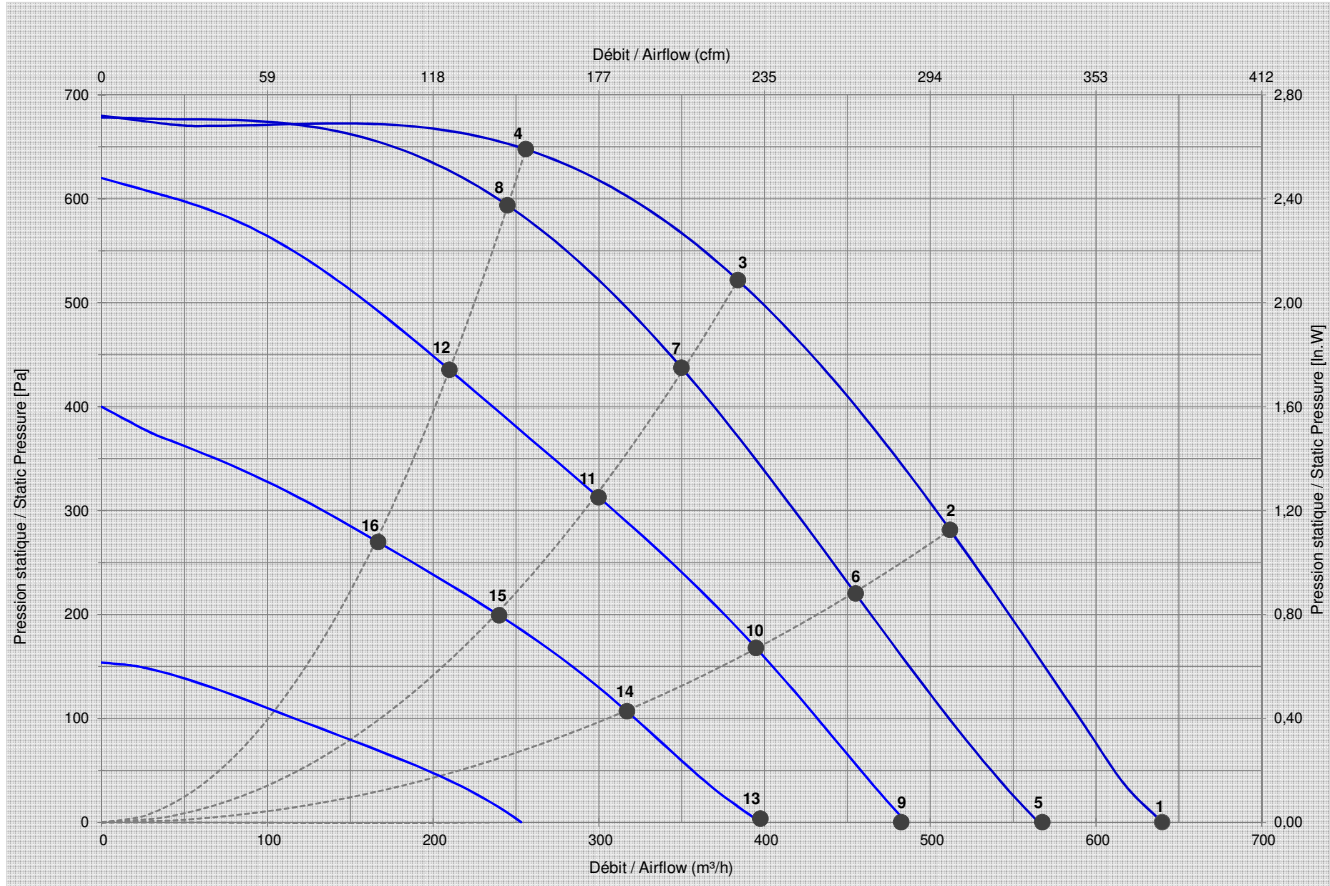
- Designed for standard applications according to the directive EU 2009/125/EC

Tension	230 V
Frequency	50/60 Hz
Power <sup>1</sup>	0.128 kW
Airflow <sup>1</sup>	327 m3/h
Pressure <sup>1</sup>	571 Pa
Rotation <sup>1</sup>	2752 RPM
Catégorie de mesure	A
Catégorie de rendement	total
Variateur de vitesse	Yes
Rapport spécifique	1.00

	Actual	2015
Rendement global	46.5	32.0
Niveau de rendement	58	44

<sup>1</sup> at optimum energy efficiency point

TECHNICAL DATA



Mesures / Measured Values\*

	Un (V)	Vctl (Vdc)	F (Hz)	P (W)	n (RPM)	Q (m³/h)	P (Pa)	Q (cfm)	P (In.W)	Lp <sub>in</sub> (dBA)
1	230	10	50/60	149	1930	640	0	377	0,000	68,0
2	230	10	50/60	150	2301	512	281	301	1,127	67,0
3	230	10	50/60	140	2670	384	522	226	2,090	67,0
4	230	10	50/60	115	2847	256	648	151	2,594	69,0
5	230	8	50/60	105	1740	568	0	334	0,000	64,0
6	230	8	50/60	105	2053	455	220	268	0,881	64,0
7	230	8	50/60	105	2418	350	437	206	1,752	65,0
8	230	8	50/60	105	2751	245	594	144	2,378	67,0
9	230	6	50/60	66	1486	483	0	284	0,000	61,0
10	230	6	50/60	66	1775	395	168	233	0,672	60,0
11	230	6	50/60	66	2075	300	313	177	1,253	61,0
12	230	6	50/60	66	2401	210	435	124	1,744	64,0
13	230	4	50/60	36	1212	398	4	234	0,014	
14	230	4	50/60	35	1429	317	107	187	0,428	
15	230	4	50/60	35	1673	240	199	141	0,798	
16	230	4	50/60	35	1955	167	270	98	1,080	

\* Air performance measured according to: ISO 5801, installation category C.  
Intake-side sound level: according to ISO 3744, LpA measured at 1 m distance from fan axis. The values given are only applicable under the specified measuring conditions and may differ depending on the installation conditions. In the event of deviation

The product is manufactured in accordance with EN 60335-1, UL1004-1, and RoHS directive 2015/863/CE  
IP class according to EN 60034-5 to be checked with operation and installation