



GDSuV8 180x180L

S15-A2-1

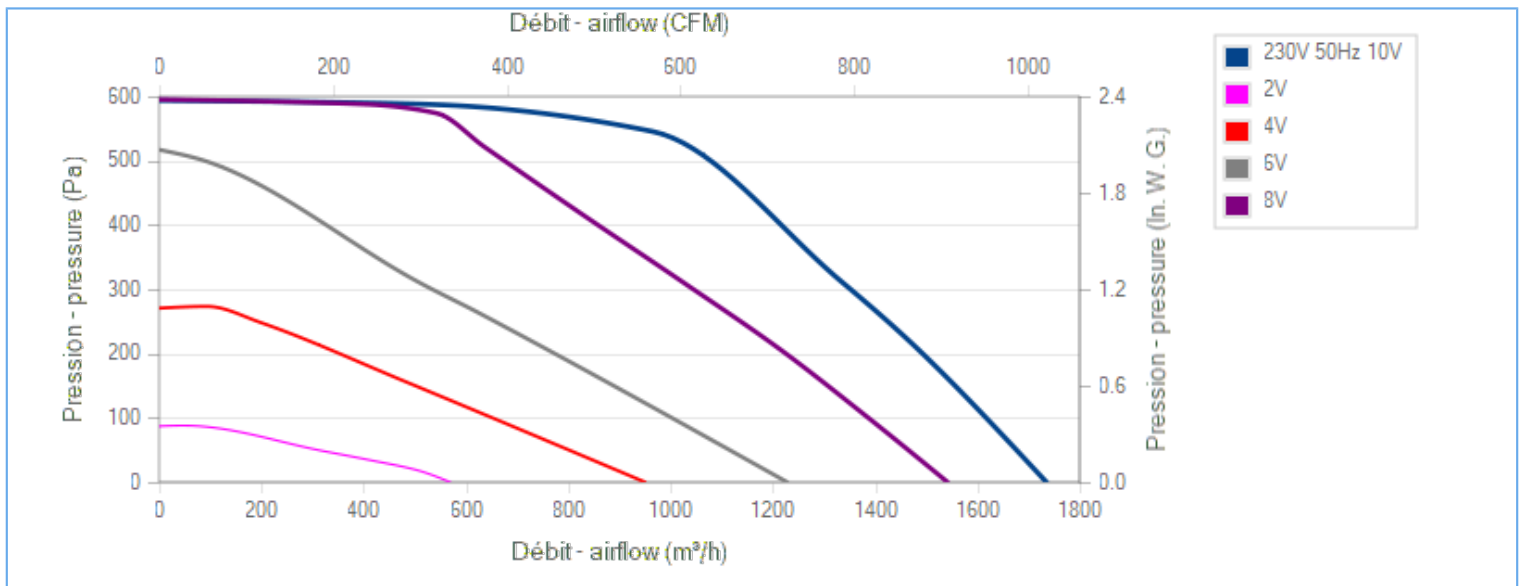
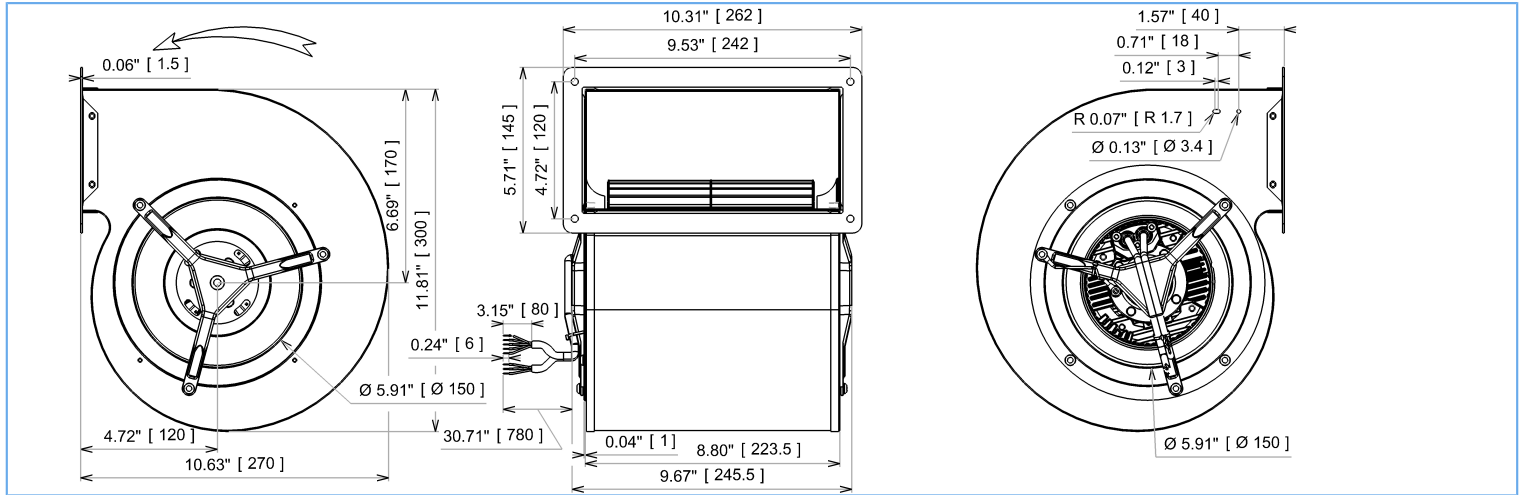
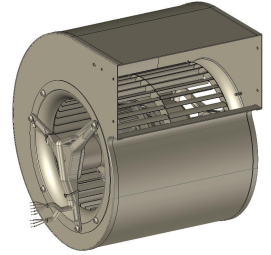


DATA SHEET

release. 0 - Revision 11-2018

Voltage	Frequency	Input Power	Input Current	Airflow	Rotation speed	Direction rotation	Admissible Temperature
V	Hz	W	A	m ³ /h	RPM		Min/Max
230	50/60	285	1,26	1735	1445	L	-25°C / +60°C
230	50/60			1021 CFM			-13°F / 140°F

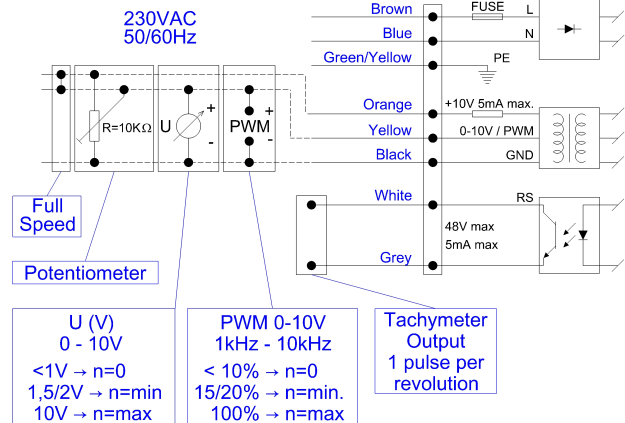
ErP 2013 OK ErP 2015 OK



Tested with ECOFIT housing

Description

- .Weight : 6,3 Kg
- .Ball bearing
- .Insulation Class F
- .IP54 protection depending on installation and position as per EN60034-5
- .G2.5 balancing
- .Rotor electrolytic galvanizing protection
- .Scroll housing : black paint
- .Galvanized steel impeller



Non contractual document. All specifications are subject to change without prior notice. Picture for information only.



GDSuV8 180x180L

S15-A2-1



DATA SHEET

release. 0 - Revision 11-2018

Data in accordance to ErP directive

Voltage	230	V
Frequency	50	Hz
Power	0,300	kW ⁽¹⁾
Airflow	965	m ³ /h ⁽¹⁾
Pressure	545	Pa ⁽¹⁾
Rotation speed	2255	RPM ⁽¹⁾

(1) at optimal efficiency point

	Actual	Request 2013	Request 2015
Overall efficiency (η)	54,8	27,4	34,4
Efficiency grade	64	37	44
Installation category	A		
Efficiency category	static		
Variable speed drive	Yes		
Specific ratio	1,00		

Designed for regular application according ErP directive EU 2009/125/EC

Accessories

21291

Measurement setup

Contact ECOFIT

Documents

Manuel d'utilisation
www.ecofit.com/site/normes

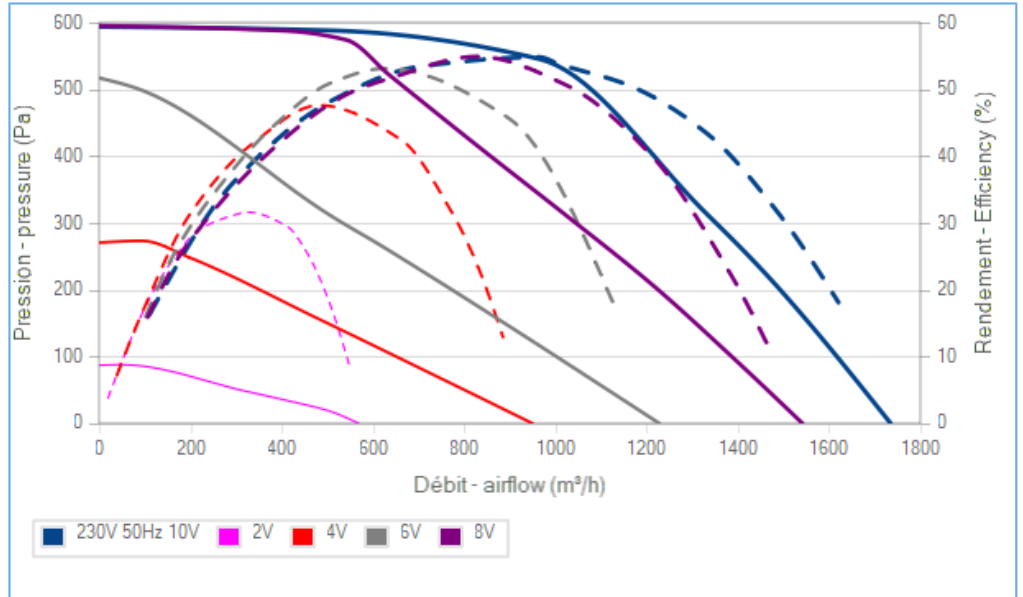
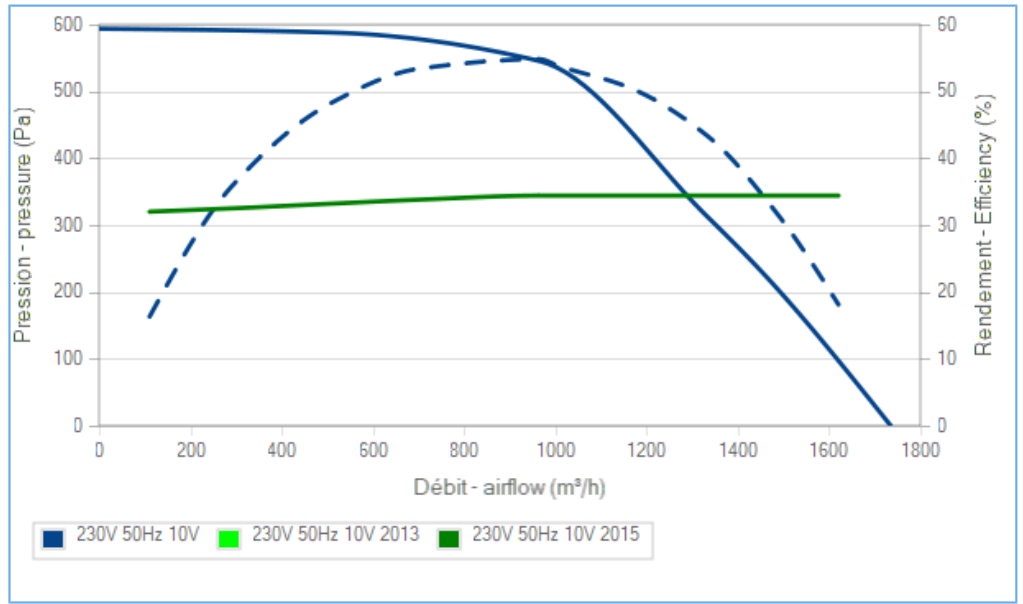
Operating and recycling manual
www.ecofit.com/anglais/normes



IEC 60335-2-80:2002 + A1:2004 + IEC 60335-1:2010
 EN 60335-2-80:2003 + A1:2004 + A2:2009 + EN 60335-1:2012
 RT9382CE



UL1004-1, 2nd edition "rotating electrical machine"
 UL1004-3, 1st edition "thermally protected motors"
 UL1004-7, 2nd edition "electronically protected motors"
 C22.2 N°100-04, 6th edition "motors and generator"
 C22.2 N°77-95, 7th edition "motors with inherent overheating protection"
 UL Motor Model : RT9382
 File Number : E326930 XDNW2,8



La courbe de rendement intègre le facteur de compensation de charge partielle du règlement (UE) n°327/2011
 The efficiency curve includes part load compensation factor of regulation (EU) n°327/2011

Acoustics levels*

U	F	C	Set point	n	Q	P	LpA (in)
V	Hz	μF	V	RPM	m ³ /h	Pa	dBA
230	50	0	10	1500	1690	50	64
230	50	0	8	1330	1470	40	61
230	50	0	6	1070	1180	25	56

* Suction side noise levels, for detailed information please contact ECOFIT

Non contractual document. All specifications are subject to change without prior notice. Picture for information only.