

# Technical data sheet

Revision a  
Revision 03/2024

**ECOFIT**

by



Model  
**S03-A0-1**

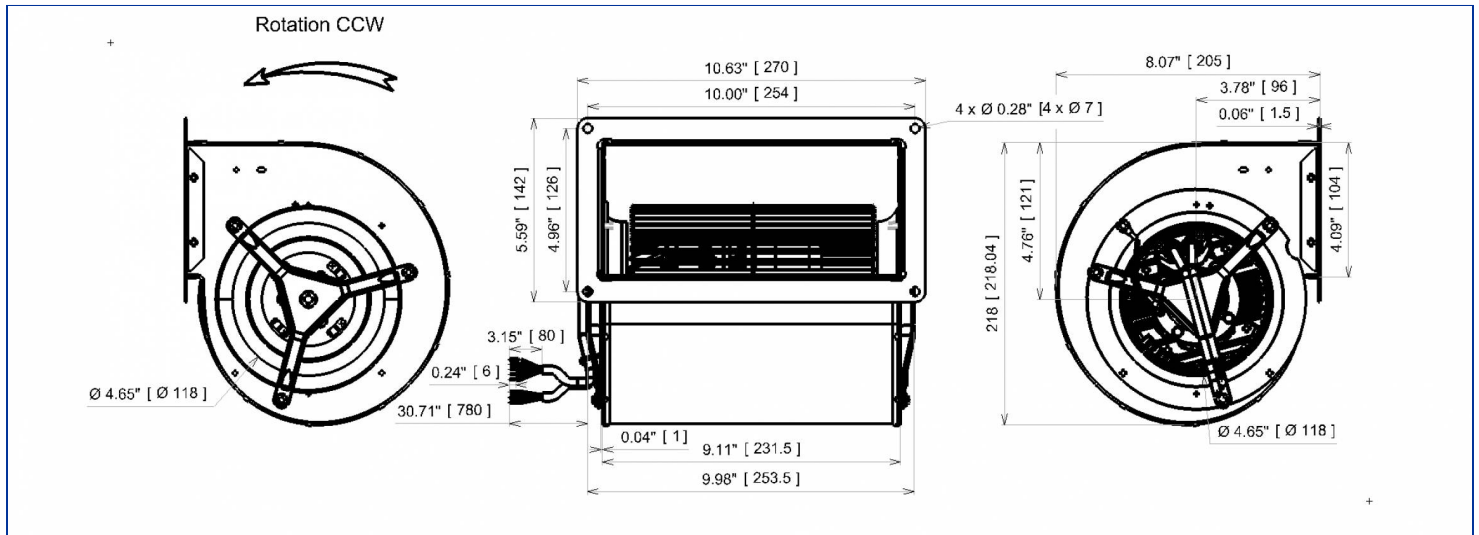


Designation **GDSuV8 146x188L**

Range Double inlet centrifugal fans with electronic commutation motor

## ELECTRICAL DATA

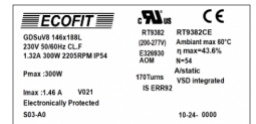
Tension (V)	230
Frequency (Hz)	50/60
Current (A)	1.32
Maximum current (A)	1.46
Power (W)	300
Maximum power (W)	300
Rotation (RPM)	2205
Cos Φ	0.988
Temperature min/max (°C)	-25/+60



## MARKING & STANDARDS

### Conformity

- **CE** RT9382CE IEC 60335-2-80, IEC 60335-1, EN 60331-2-80, EN 60335-1
- **UL** RT9382 UL1004-1, 2nd edition rotating electrical machine  
File number E326930



The product is manufactured in accordance with EN 60335-1, UL1004-1, and RoHS directive 2015/863/CE  
IP class according to EN 60034-5 to be checked with operation and installation

Issued: 2024-03-06 at 08:07 Documentations and pictures are non contractual, all the data of the technical file and the drawing are subject to change.

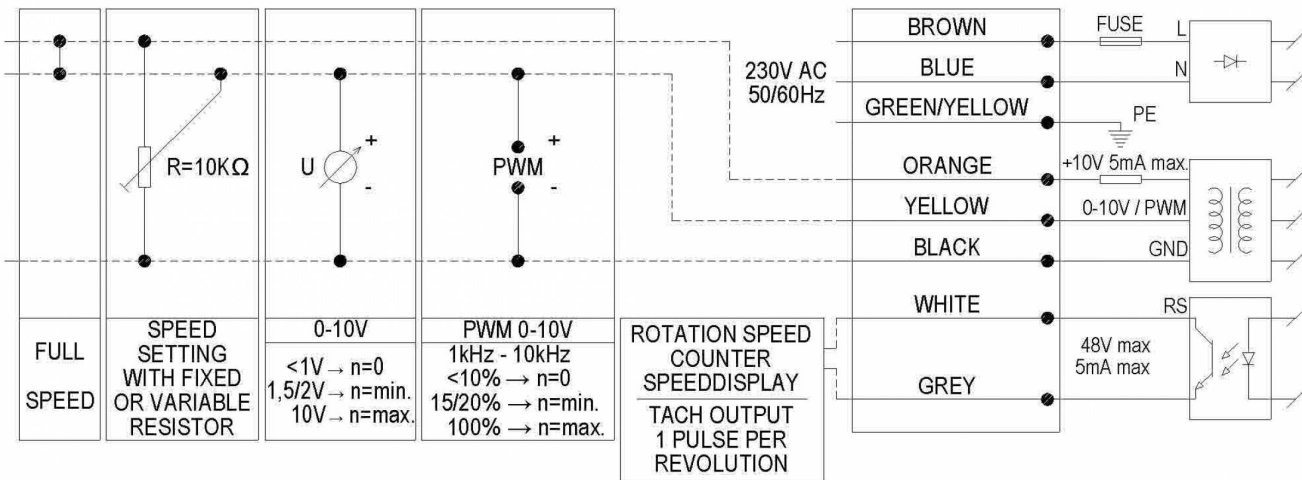
EN - Page 1 / 4

TECHNICAL DATA

Description

- Weight: 4.80 kg
- Class F
- Protection level: 54 | Protection against ingress of dust / Protection against ingress of water : splashing
- Motor's protection Electronically protected
- Bearing type: 2 ball bearings 6000ZZ
- Balance level: G2.5

Wiring diagram



Finishes

- Rotor electrolytic galvanizing protection
- Galvanized steel scroll housing
- Galvanized steel impeller
- Motor - UL Recognized component

The product is manufactured in accordance with EN 60335-1, UL1004-1, and RoHS directiv 2015/863/CE  
IP class according to EN 60034-5 to be checked with operation and installation

Issued: 2024-03-06 at 08:07 Documentations and pictures are non contractual, all the data of the technical file and the drawing are subject to change.



by



ADDITIONAL DATA

Optional accessories

- 21291 | Finger guard

Documentations

- Operating and recycling manual  
<http://www.ecofit.com/anglais/normes>

Measurement setup

- Scroll 15278 VOL VHD232 H18

ERP DATA

Data according to ErP directive

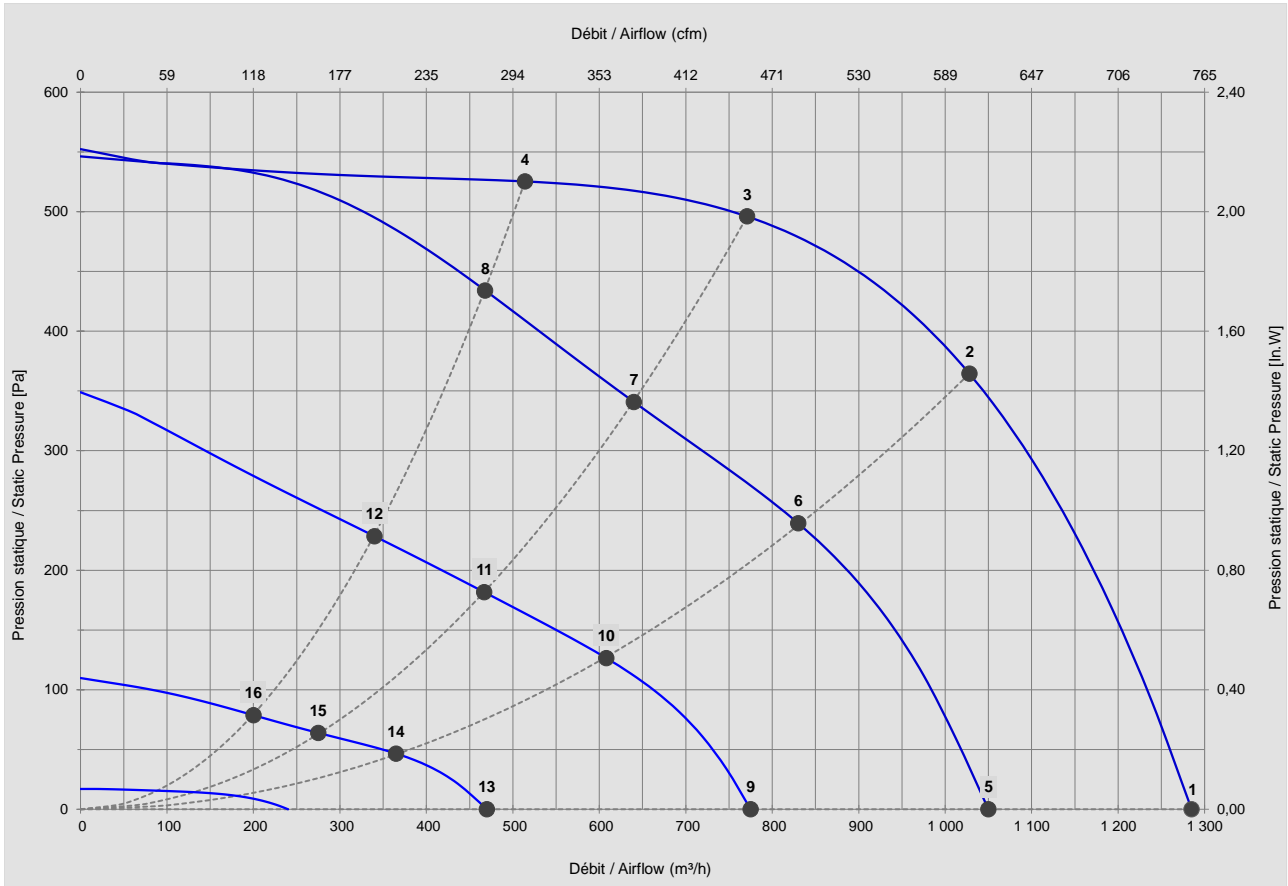
Tension	230 V
Frequency	50/60 Hz
Power <sup>1</sup>	0.245 kW
Airflow <sup>1</sup>	655 m3/h
Pressure <sup>1</sup>	520 Pa
Rotation <sup>1</sup>	2920 RPM
Catégorie de mesure	A
Catégorie de rendement	total
Variateur de vitesse	Yes
Rapport spécifique	1.00

- Designed for standard applications according to the directive EU 2009/125/EC

	Actual	2015
Rendement global	43.6	33.8
Niveau de rendement	54	44

<sup>1</sup> at optimum energy efficiency point

TECHNICAL DATA



Mesures / Measured Values\*

	Un (V)	Vctl (Vdc)	F (Hz)	P (W)	n (RPM)	Q (m³/h)	P (Pa)	Q (cfm)	P (In.W)	Lp <sub>in</sub> (dBA)
1	230	10	50/60	300	2205	1 285	0	756	0,000	72
2	230	10	50/60	303	2622	1 028	364	605	1,460	71
3	230	10	50/60	282	2909	771	496	454	1,987	70
4	230	10	50/60	219	2944	514	525	303	2,105	70
5	230	8	50/60	163	1802	1 050	0	618	0,000	68
6	230	8	50/60	163	2141	830	239	489	0,959	67
7	230	8	50/60	163	2406	640	341	377	1,365	65
8	230	8	50/60	163	2660	468	434	275	1,739	66
9	230	6	50/60	70	1339	775	0	456	0,000	61
10	230	6	50/60	70	1584	608	127	358	0,507	59
11	230	6	50/60	70	1775	467	182	275	0,728	58
12	230	6	50/60	70	1942	340	228	200	0,915	59
13	230	4	50/60	21	815	470	0	277	0,000	
14	230	4	50/60	22	959	365	47	215	0,187	
15	230	4	50/60	22	1064	275	64	162	0,256	
16	230	4	50/60	21	1150	200	79	118	0,315	

\* Air performance measured according to: ISO 5801, installation category C.  
Intake-side sound level: according to ISO 3744, LpA measured at 1 m distance from fan axis. The values given are only applicable under the specified measuring conditions and may differ depending on the installation conditions. In the event of deviation

The product is manufactured in accordance with EN 60335-1, UL1004-1, and RoHS directive 2015/863/CE  
IP class according to EN 60034-5 to be checked with operation and installation