

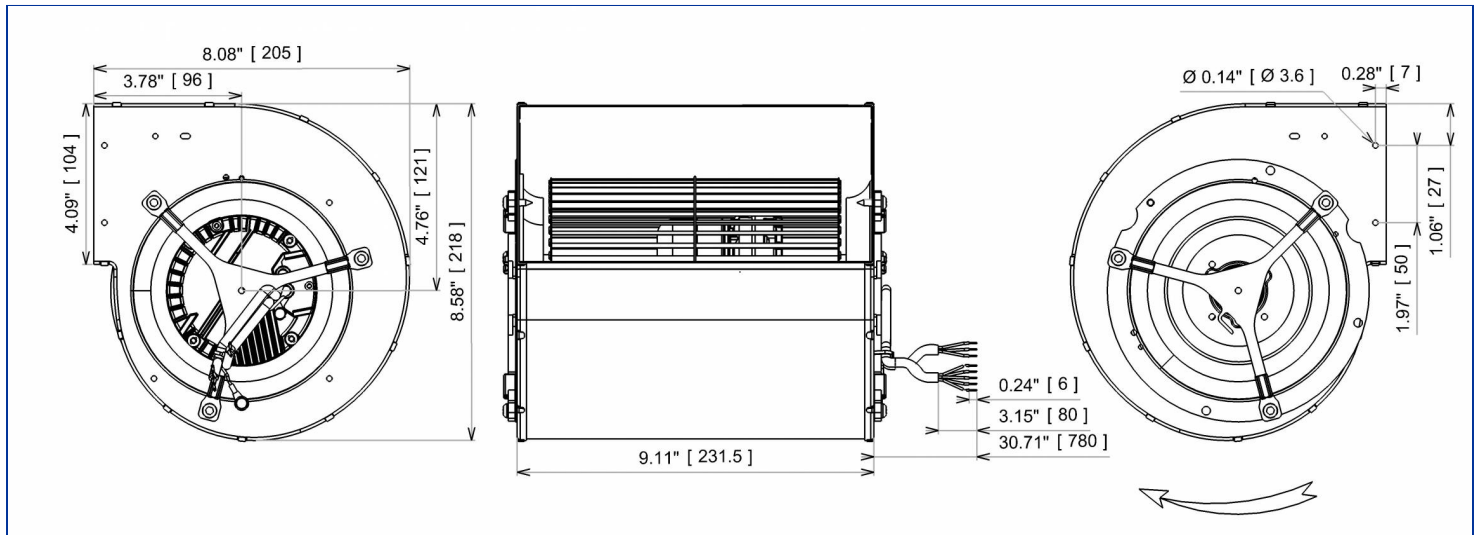


Designation **GDSuG9 146x188R**

Range Double inlet centrifugal fans with electronic commutation motor

ELECTRICAL DATA

Tension (V)	230
Frequency (Hz)	50/60
Current (A)	0.57
Maximum current (A)	1.13
Power (W)	61
Maximum power (W)	144
Rotation (RPM)	1140
Cos Φ	0.465
Temperature min/max (°C)	-20/+50



MARKING & STANDARDS

Conformity

- **CE** RT9192CE IEC 60335-2-80:2002 + A1:2004
- **UL** RT9192 UL1004-1, 2nd edition rotating electrical machine File number E326930

ECOFIT	UL	CE
GDSuG9 146x188R 230V 50/60Hz CL.F 0.57A 61W 1140RPM IP4x	RT9192 E326930 W77mm ACM	RT9192CE Ambient max 50°C η max+43.1% h=55 A1static VSD integrated
Power: 144W Imax: 1.13 A G255 Electronically Protected M10-A2	IS ERR92	34-21-0000

The product is manufactured in accordance with EN 60335-1, UL1004-1, and RoHS directive 2015/863/CE
IP class according to EN 60034-5 to be checked with operation and installation

Issued: 2021-08-26 at 11:28 Documentations and pictures are non contractual, all the data of the technical file and the drawing are subject to change.

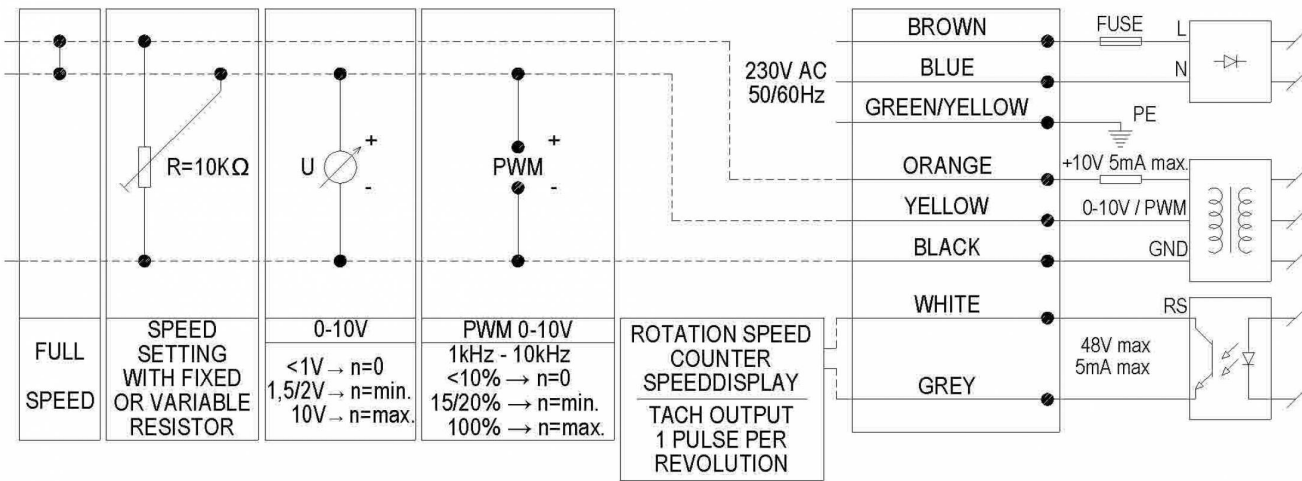
EN - Page 1 / 4

TECHNICAL DATA

Description

- Weight: 3.50 kg
- With Condensat Drain Holes
- Class F
- Protection level: 4x | Protection against ingress of solid with diameter ≥ 1 mm / No information
- Motor's protection Electronically protected
- Bearing type: 2 ball bearings 608ZZ
- Balance level: G2.5

Wiring diagram



Finishes

- Galvanized steel impeller
- Galvanized steel scroll housing

ADDITIONAL DATA

Accessories

- 21338 | Finger guard

Documentations

- Operating and recycling manual
<http://www.ecofit.com/anglais/normes>

Measurement setup

- Scroll 15278 VOL VHD232 H18

ERP DATA

Data according to ErP directive

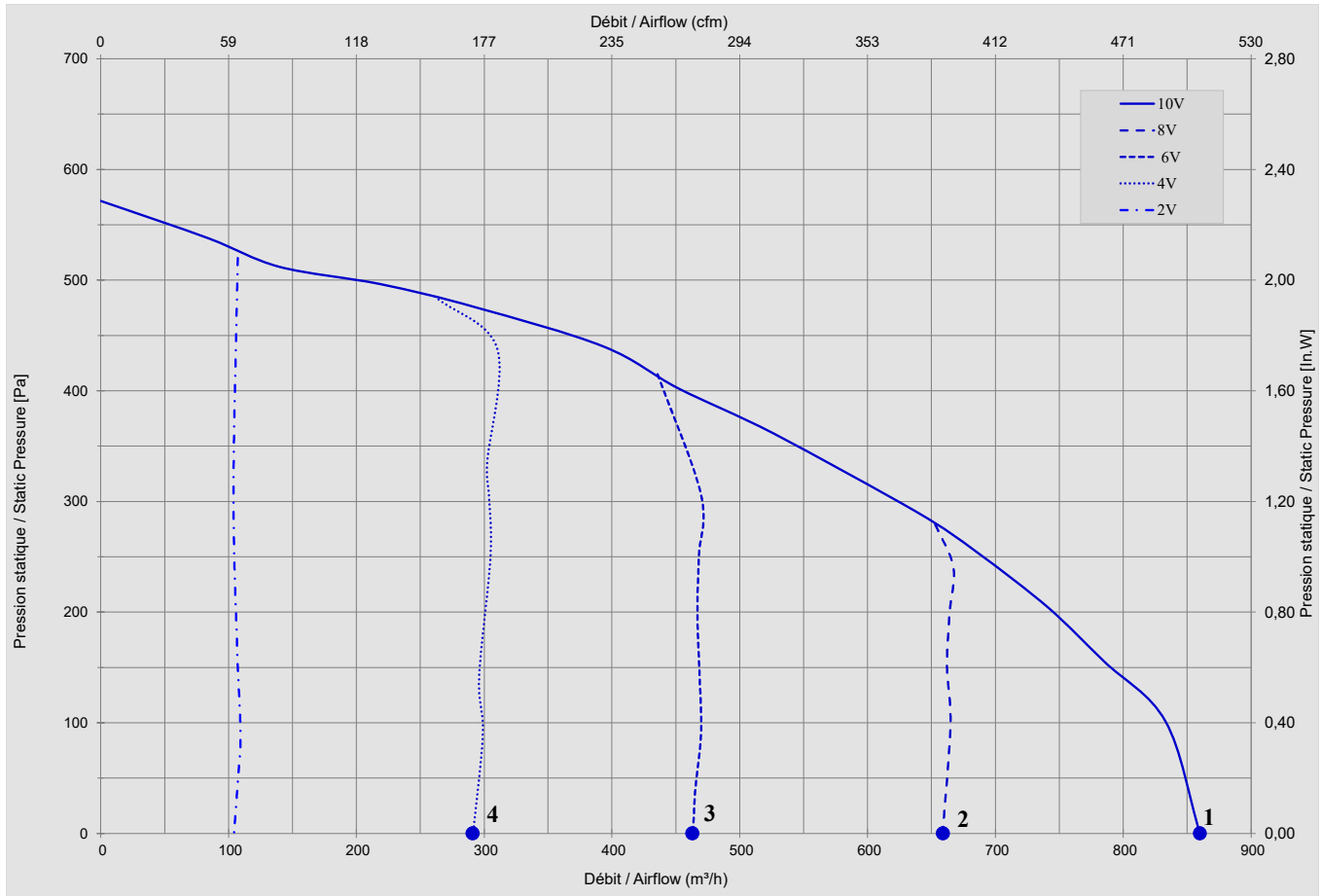
Tension	230 V
Frequency	50/60 Hz
Power ¹	0.141 kW
Airflow ¹	527 m3/h
Pressure ¹	361 Pa
Rotation ¹	2369 RPM
Catégorie de mesure	A
Catégorie de rendement	total
Variateur de vitesse	Yes
Rapport spécifique	1.00

- Designed for standard applications according to the directive EU 2009/125/EC

	Actual	2015
Rendement global	43.1	32.3
Niveau de rendement	55	44

¹ at optimum energy efficiency point

TECHNICAL DATA



	Un (V)	Vctl (Vdc)	F (Hz)	P (W)	n (RPM)	Q (m³/h)	P (Pa)	Q (cfm)	P (In.W)	Lp _{in} (dBA)
1	230	10	50/60	61,0	1140	860	0	506	0,000	60,0
2	230	8	50/60	14,0	930	659	0	388	0,000	56,0
3	230	6	50/60	12,0	315	463	0	273	0,000	48,0
4	230	4	50/60	2,0	125	291	0	171	0,000	

* Air performance measured according to: ISO 5801, installation category C.
Intake-side sound level: according to ISO 3744, LpA measured at 1 m distance from fan axis. The values given are only applicable under the specified measuring conditions and may differ depending on the installation conditions. In the event of deviation

The product is manufactured in accordance with EN 60335-1, UL1004-1, and RoHS directive 2015/863/CE
IP class according to EN 60034-5 to be checked with operation and installation