



# 2GREu15 140x59R (115V) G36-B1 p



## DATA SHEET

release. c - Revision 08-2016

Voltage	Frequency	Input Power	Input Current	Capacitor	Airflow	Rotation speed	Acoustic level	Direction rotation	Admissible Temperature
V	Hz	W	A	μF	m <sup>3</sup> /h	RPM	dBA	↻	Min/Max
115	50	93	0,81	8,0	355	1410	53	R	-40°C / +60°C
115	60	101	0,88	8,0	345	1380	51	R	-40°C / +60°C
115	50				208 CFM				-40°F / 140°F
115	60				203 CFM				-40°F / 140°F



dBA : free blowing

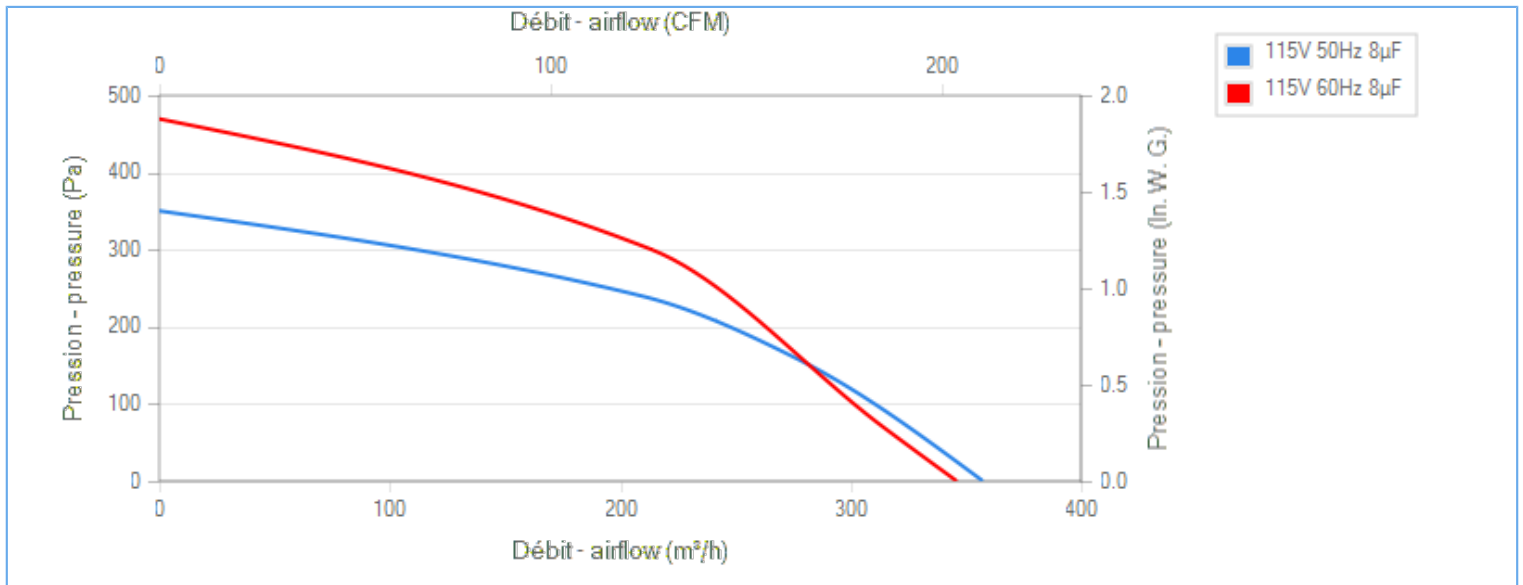
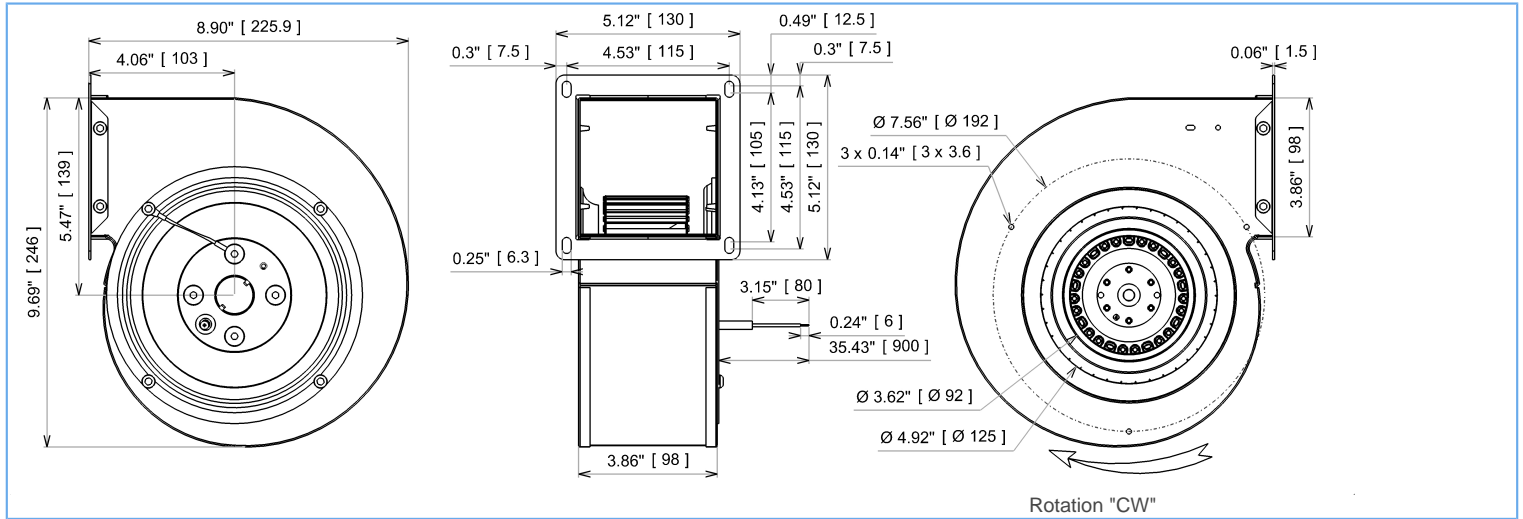
NA : not applicable

ErP 2013

NA

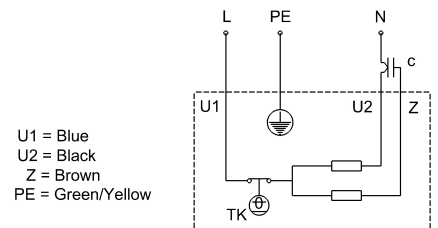
ErP 2015

NA



### Description

- .Weight : 2,5 Kg
- .Ball bearing
- .Class F, thermally protected
- .IP44 protection depending on installation and position as per EN60034-5
- .G2.5 balancing
- .Galvanized steel impeller
- .Rotor : black paint
- .Galvanized steel scroll housing
- .Motor - UL Recognized component





2GREu15 140x59R (115V) G36-B1 p



# DATA SHEET

release. c - Revision 08-2016

## Data in accordance to ErP directive

Voltage	115	V
Frequency	50	Hz
Power	0,082	kW <sup>(1)</sup>
Airflow	209	m <sup>3</sup> /h <sup>(1)</sup>
Pressure	240	Pa <sup>(1)</sup>
Rotation speed	2086	RPM <sup>(1)</sup>
(1) at optimal efficiency point		

ErP directive (EU 2009/125/EC) not applicable :  
Power at optimum energy efficiency point

## Accessories

- 19222
- 19222
- 21325
- 16043

## Measurement setup

Contact ECOFIT

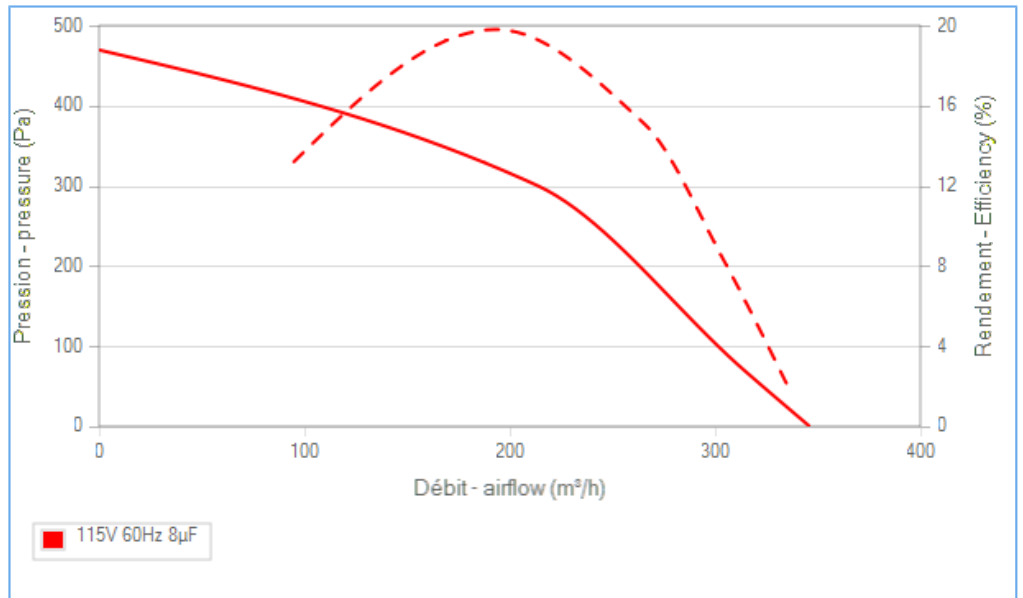
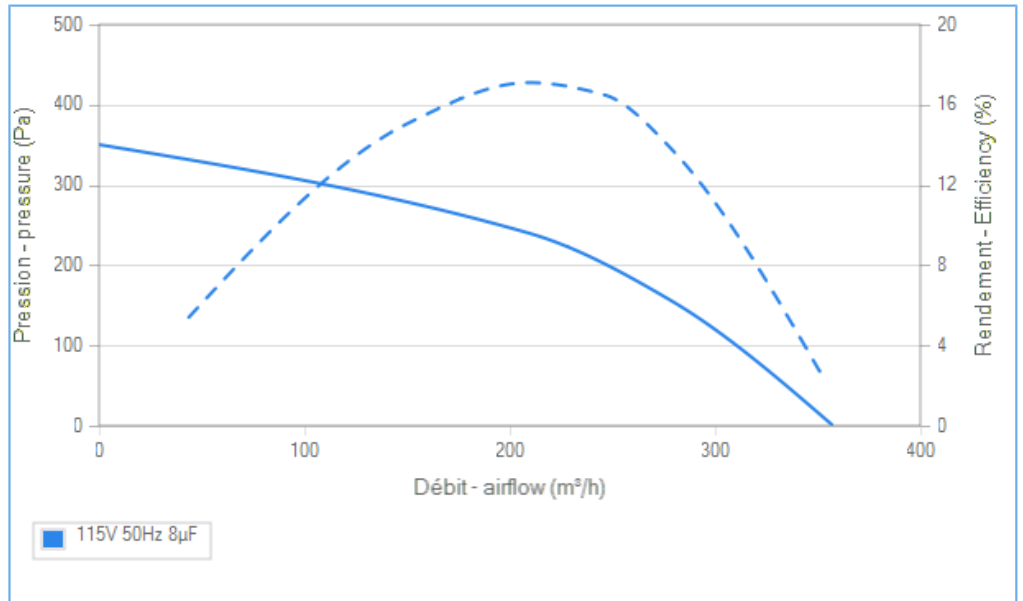
## Documents

Manuel d'utilisation  
[www.ecofit.com/site/normes](http://www.ecofit.com/site/normes)

Operating and recycling manual  
[www.ecofit.com/anglais/normes](http://www.ecofit.com/anglais/normes)



UL2111 (XEWR2,8)  
N° file E135223  
2RS915



Non contractual document. All specifications are subject to change without prior notice. Picture for information only.