

Technical data sheet

Revision f
Revision 05/2023

ECOFIT

by

rosenberg
THE AIR MOVEMENT GROUP
VENDOME

Model
C48-B7 p

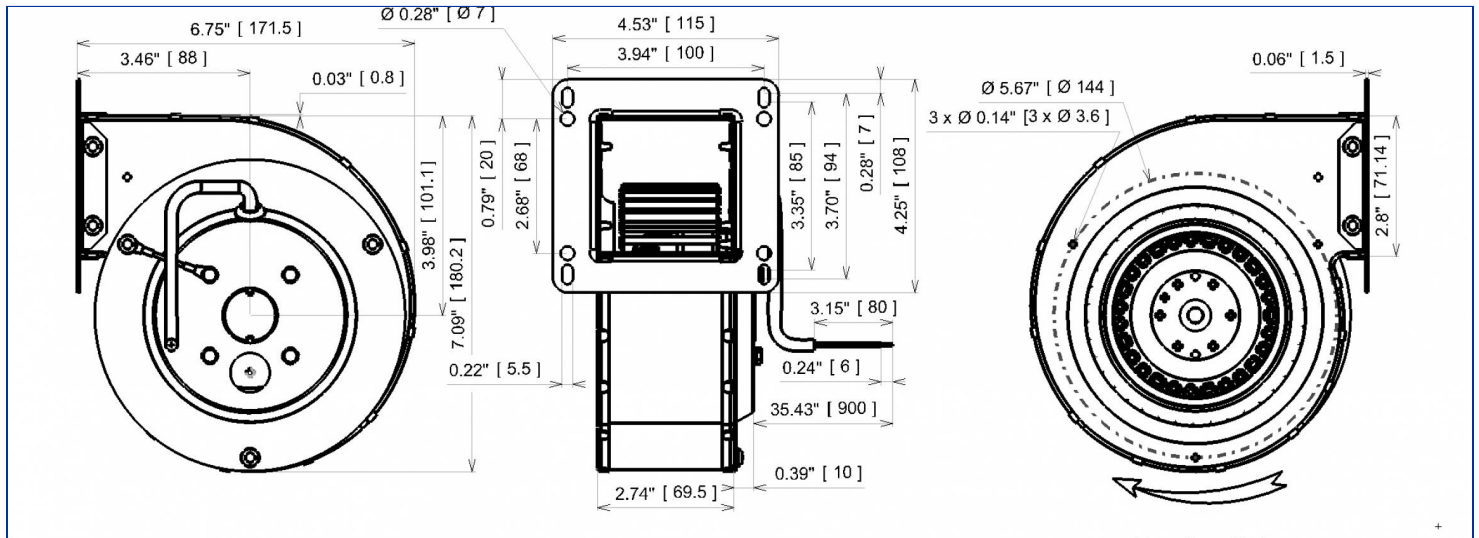


Designation **2GREu15 133x49R (115V)**

Range Single inlet centrifugal fans with single phase asynchronous motor

ELECTRICAL DATA

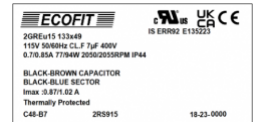
Speed		
Tension (V)	115	115
Frequency (Hz)	50	60
Current (A)	0.70	0.85
Maximum current (A)	0.87	1.02
Power (W)	77	94
Maximum power (W)	77	94
Rotation (RPM)	2050	2055
Cos Φ	0.957	0.962
Temperature min/max (°C)	-40/+70	-40/+70
Capacitor (µF)	7.00	7.00
U_condo (V)	400	400



MARKING & STANDARDS

Conformity

- CE
- UKCA
- UL 2RS915 2111 REC92 MonoPhase (XEW2,8)
File number E135223



The product is manufactured in accordance with EN 60335-1, UL2111, and RoHS directive 2015/863/CE
IP class according to EN 60034-5 to be checked with operation and installation

Issued: 2023-05-02 at 13:43 Documentations and pictures are non contractual, all the data of the technical file and the drawing are subject to change.

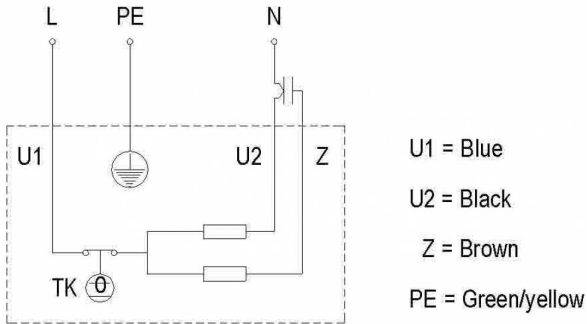
EN - Page 1 / 4

TECHNICAL DATA

Description

- Weight: 2.00 kg
- With Condensat Drain Holes
- Class F
- Protection level: 44 | Protection against ingress of solid with diameter ≥ 1 mm / Protection against ingress of water : splashing
- Motor's protection T150° C UL Automatic reset
- Bearing type: 2 ball bearings 608ZZ
- Balance level: G2.5

Wiring diagram



Finishes

- Galvanized steel impeller
- Rotor : black paint
- Motor - UL Recognized component
- Galvanized steel scroll housing

The product is manufactured in accordance with EN 60335-1, UL2111, and RoHS directive 2015/863/CE
IP class according to EN 60034-5 to be checked with operation and installation

Issued: 2023-05-02 at 13:43 Documentations and pictures are non contractual, all the data of the technical file and the drawing are subject to change.

EN - Page 2 / 4



by



ADDITIONAL DATA

Accessories

- 19227 | Capacitor
- 21236 | Finger guard

Documentations

- Operating and recycling manual
<http://www.ecofit.com/anglais/normes>

Measurement setup

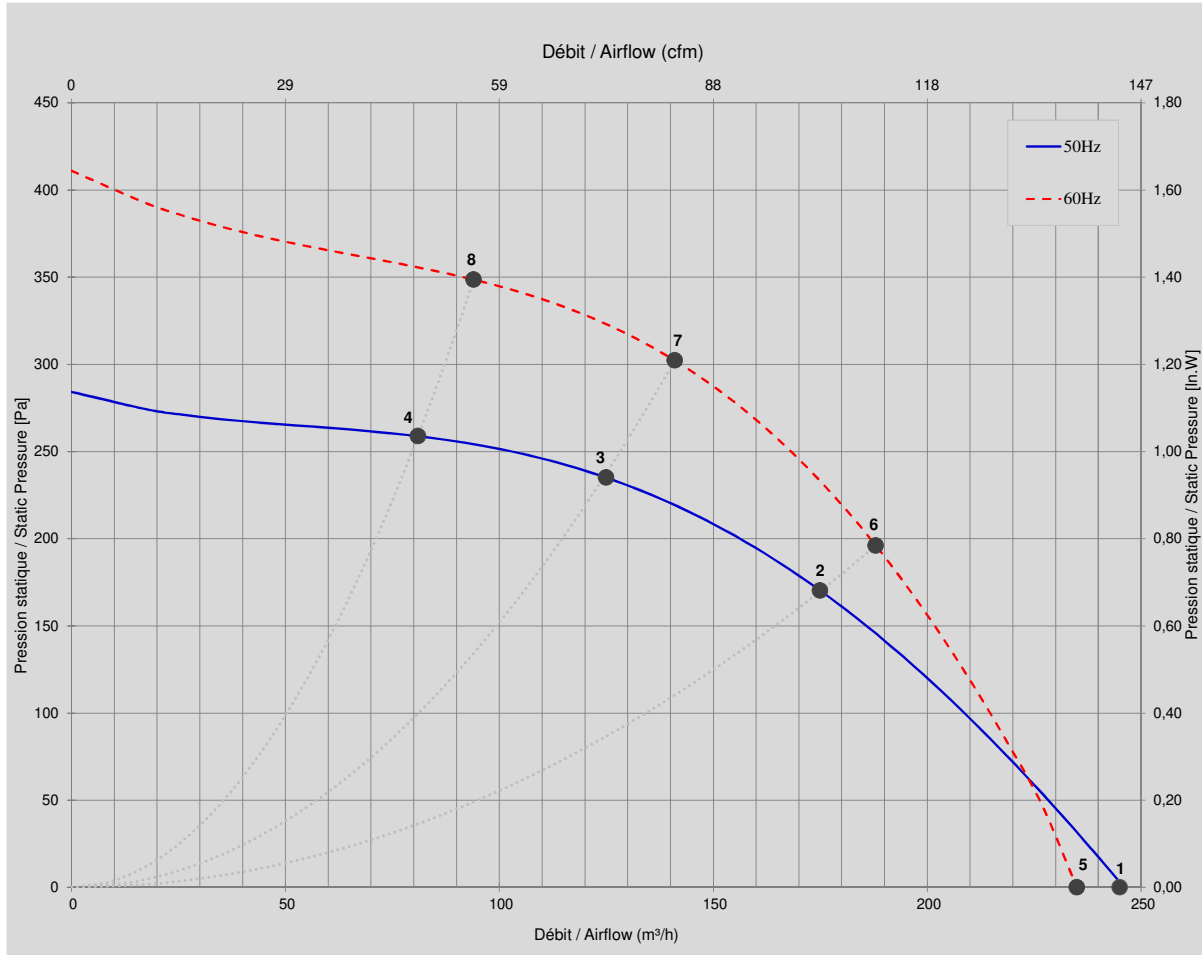
- Scroll 15133-a VOL VR133-70D

ERP DATA

ErP Directive ErP (EU 2009/125/EC) not applicable:

- Power at optimum energy efficiency point <125W

TECHNICAL DATA



Mesures / Measured Values *

	Un (V)	F (Hz)	C (µF)	P (W)	n (RPM)	Q (m³/h)	P (Pa)	Q (cfm)	P (In.W)	Lp _{in} (dBA)
1	115	50	7	77	2050	245	0	144	0,000	64,0
2	115	50	7	62	2501	175	170	103	0,682	62,0
3	115	50	7	55	2679	125	235	74	0,942	61,0
4	115	50	7	50	2762	81	259	48	1,037	62,0
5	115	60	7	94	2055	235	0	138	0,000	63,0
6	115	60	7	83	2686	188	196	111	0,785	65,0
7	115	60	7	74	2984	141	302	83	1,211	64,0
8	115	60	7	67	3135	94	349	55	1,397	65,0

* Air performance measured according to: ISO 5801, installation category C.
Intake-side sound level: according to ISO 3744, LpA measured at 1 m distance from fan axis. The values given are only applicable under the specified measuring conditions and may differ depending on the installation conditions. In the event of deviation

The product is manufactured in accordance with EN 60335-1, UL2111, and RoHS directive 2015/863/CE
IP class according to EN 60034-5 to be checked with operation and installation