

Technical data sheet

Revision f
Revision 10/2023

ECOFIT

by

rosenberg
THE AIR MOVEMENT GROUP
VENDOME

Model
C50-A5 p

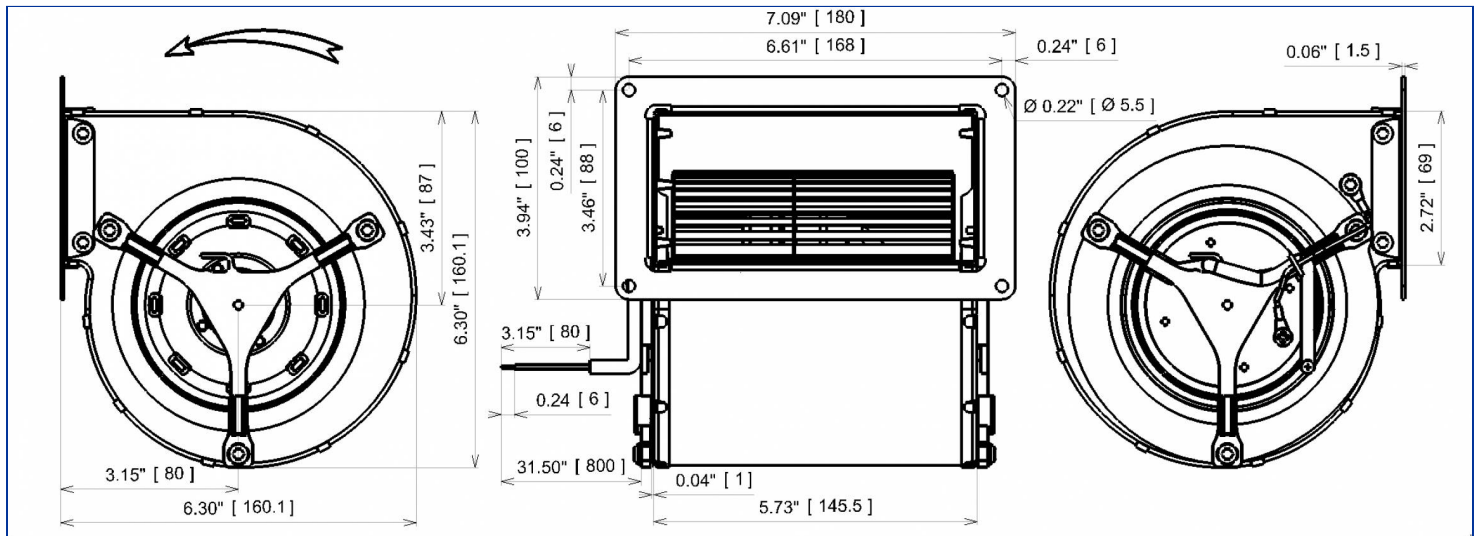


Designation **2GDSu15 120x126L**

Range Double inlet centrifugal fans with single phase asynchronous motor

ELECTRICAL DATA

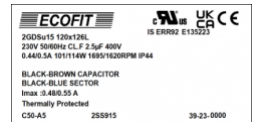
Speed		
Tension (V)	230	230
Frequency (Hz)	50	60
Current (A)	0.44	0.50
Maximum current (A)	0.48	0.55
Power (W)	101	114
Maximum power (W)	101	114
Rotation (RPM)	1695	1620
Cos Φ	0.998	0.991
Temperature min/max (°C)	-40/+70	-40/+70
Capacitor (µF)	2.50	2.50
U_condo (V)	400	400



MARKING & STANDARDS

Conformity

- CE
- UKCA
- UL 2SS915 2111 REC92 MonoPhasé (XEW2,8)
File number E135223



The product is manufactured in accordance with EN 60335-1, UL2111, and RoHS directive 2015/863/CE
IP class according to EN 60034-5 to be checked with operation and installation

Issued: 2023-10-02 at 07:34 Documentations and pictures are non contractual, all the data of the technical file and the drawing are subject to change.

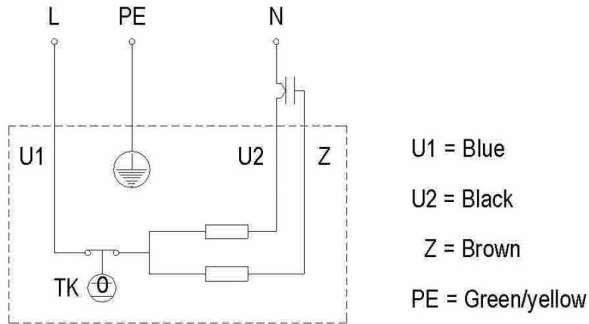
EN - Page 1 / 4

TECHNICAL DATA

Description

- Weight: 2.30 kg
- Without Condensat Drain Holes
- Class F
- Protection level: 44 | Protection against ingress of solid with diameter ≥ 1 mm / Protection against ingress of water : splashing
- Motor's protection T150° C UL Automatic reset
- Bearing type: 2 ball bearings 608ZZ
- Balance level: G2.5

Wiring diagram



Finishes

- Galvanized steel impeller
- Motor - UL Recognized component
- Galvanized scroll and frame

The product is manufactured in accordance with EN 60335-1, UL2111, and RoHS directive 2015/863/CE
IP class according to EN 60034-5 to be checked with operation and installation

Issued: 2023-10-02 at 07:34 Documentations and pictures are non contractual, all the data of the technical file and the drawing are subject to change.

EN - Page 2 / 4



by



ADDITIONAL DATA

Accessories

- 19218 | Capacitor
- 21237 | Finger guard

Documentations

- Operating and recycling manual
<http://www.ecofit.com/anglais/normes>

Measurement setup

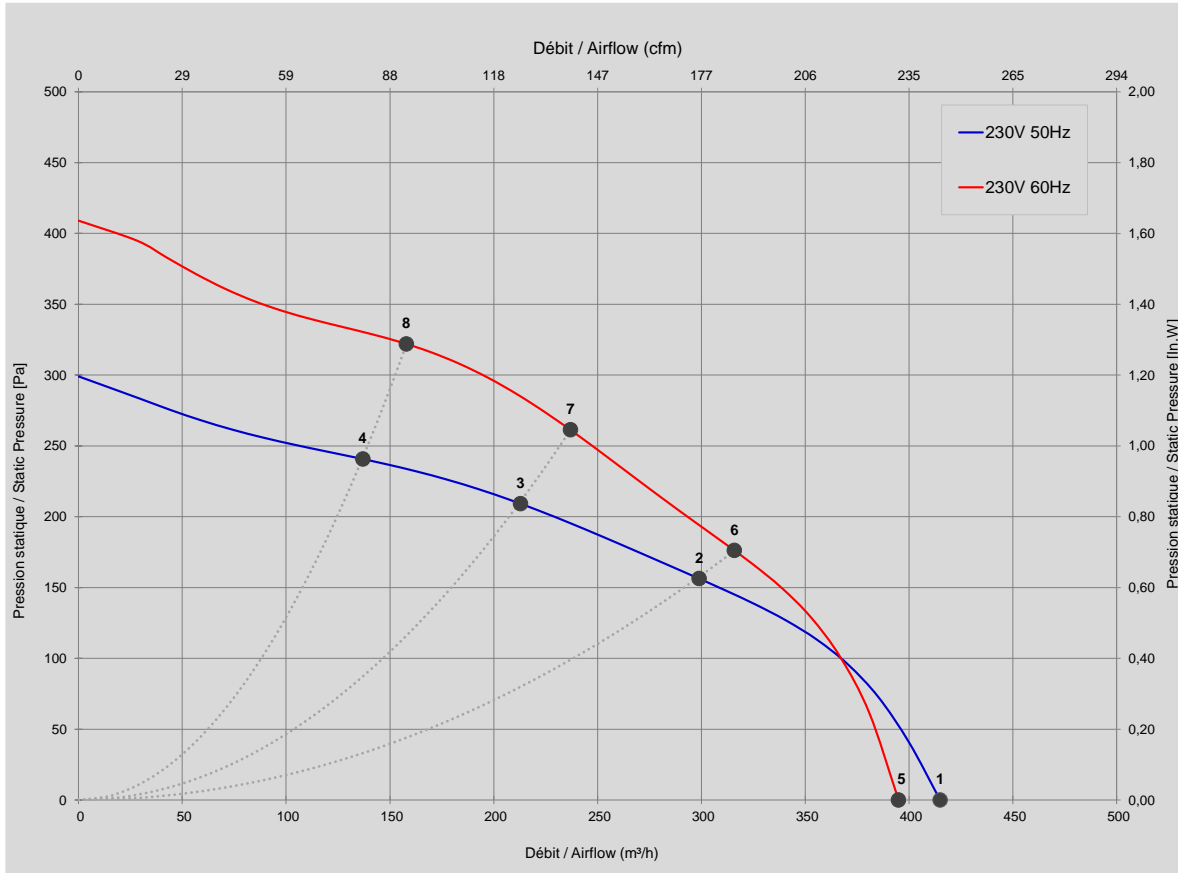
- Scroll 15121-c VOL VSD146

ERP DATA

ErP Directive ErP (EU 2009/125/EC) not applicable:

- Power at optimum energy efficiency point <125W

TECHNICAL DATA



Mesures / Measured Values *

	Un (V)	F (Hz)	C (µF)	P (W)	n (RPM)	Q (m³/h)	P (Pa)	Q (cfm)	P (In.W)	Lp _m (dBA)
1	230	50	2,5	101	1695	415	0	244	0,000	58
2	230	50	2,5	84	2326	299	156	176	0,626	58
3	230	50	2,5	76	2551	213	209	125	0,838	58
4	230	50	2,5	72	2698	137	241	81	0,964	58
5	230	60	2,5	114	1620	395	0	233	0,000	57
6	230	60	2,5	104	2455	316	176	186	0,705	59
7	230	60	2,5	92	2840	237	261	140	1,047	60
8	230	60	2,5	82	3108	158	322	93	1,290	62

* Air performance measured according to: ISO 5801, installation category C.
Intake-side sound level: according to ISO 3744, LpA measured at 1 m distance from fan axis. The values given are only applicable under the specified measuring conditions and may differ depending on the installation conditions.

The product is manufactured in accordance with EN 60335-1, UL2111, and RoHS directive 2015/863/CE
IP class according to EN 60034-5 to be checked with operation and installation