



# EXCEL | MATE CC (Charging Coupler)

[www.amphenolpcd.com.cn](http://www.amphenolpcd.com.cn)













HIGHPOWER @ AMPHENOL  
TRUSTED GLOBALLY

## CONTENTS

---

PRODUCTS INTRODUCTION.....	3
HPC CCS1.....	4
HPC CCS2.....	6
MCS VEHICLE CONNECTOR.....	9
MCS INLET.....	11
IEC TYPE 2 AC FOR EV AND EVSE.....	13
IEC COMBO.....	20
IEC COMBO VEHICLE INLET.....	21
IEC COMBO VEHICLE CONNECTOR.....	25
SAE TYPE1 AC.....	28
NACS AC VEHICLE CONNECTOR.....	31
NACS DC VEHICLE CONNECTOR.....	33
NACS INLET.....	35
SAE COMBO.....	39
SAE COMBO WALL-MOUNTING.....	44
CCS1 VEHICLE INLET VERSION A.....	48
CCS1 VEHICLE INLET VERSION B.....	54
CABLE HARNESS.....	58

## PRODUCTS INTRODUCTION

EV Plug / Vehicle Connector													
REGION	EU			•	•	•						•	•
	US	•	•				•	•	•	•	•		
NAME		CCS1 HPC	NACS DC	CCS2 HPC	CCS2 COMBO	CCS2 THIN HANDLE	MCS	CCS1 COMBO	CCS1 THIN HANDLE	EV TYPE 1 (Potting)	NACS AC	EV TYPE 2 (Potting)	EV TYPE 2
RATED VOLTAGE (Max.)		1000V DC	1000V DC	1000V DC	1000V DC	1000V DC	1500V DC	1000V DC	1000V DC	240V AC	600V AC	480V AC	480V AC
RATED CURRENT	16A												
	20A											•	•
	32A									•		•	•
	40A					•			•		•		
	48A												
	50A									•	•		
	65A				•	•		•	•				
	80A					•			•	•	•		
	125A				•				•				
	150A				•				•				
	200A		•		•				•				
	250A		•		•				•				
	300A				•				•				
	350A						•		•				
	380A			375A	•								
	400A								•				
500A 600A	•	•	•										
1500A							•						
PROTECTION DEGREE		TYPE 3S TYPE 3R IP69	TYPE 3S IP69	IP67 IP69	IP67 IP69	IP55 (mated)	IP67 IP69	TYPE 3S TYPE 3R IP69	TYPE 3S	TYPE 3S	TYPE 3S	IP67 IP69	IP67 IP69
TOUCH-PROOF		IP2XB	IP2XB	IP2XB	IP2XB	IP2XB	IP2XB	IP2XB	IP2XB	IP2XB	IP2XB	IP2XB	IP2XB
CERTIFICATION	CE			•	•	•		•				•	•
	EN17186			•	•							•	•
	EV READY											•	
	UKCA			•	•							•	•
	UL	•						•	•	•			
CABLE RANGE (Power)		2 (AWG)	2x3 to 2x1/0	25 to 35 (mm <sup>2</sup> )	16 to 100 (mm <sup>2</sup> )	6 to 16 (mm <sup>2</sup> )	2x35 to 2x50mm <sup>2</sup>	8 to 2x1/0 (AWG)	10 to 6 (AWG)	10 to 6 (AWG)	10 to 6 (AWG)	2.5 to 6 (mm <sup>2</sup> )	2.5 to 6 (mm <sup>2</sup> )
AMBIENT TEMPERATURE		-30 to 50°C	-40 to 50°C	-30 to 50°C	-30 to 50°C	-30 to 50°C	-40 to 50°C	-40 to 55°C	-30 to 50°C	-30 to 50°C	-40 to 50°C	-30 to 50°C	-30 to 50°C

## EXCEL|MATE HPC CCS1 - TECHNICAL CHARACTERISTICS



### KEY FEATURES:

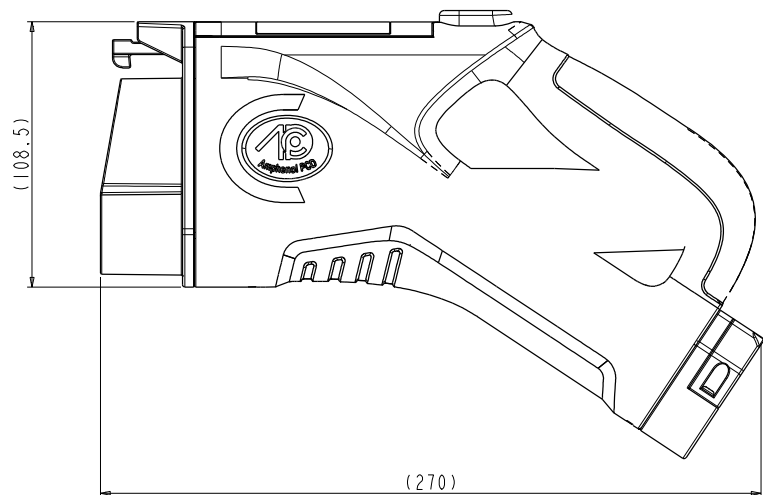
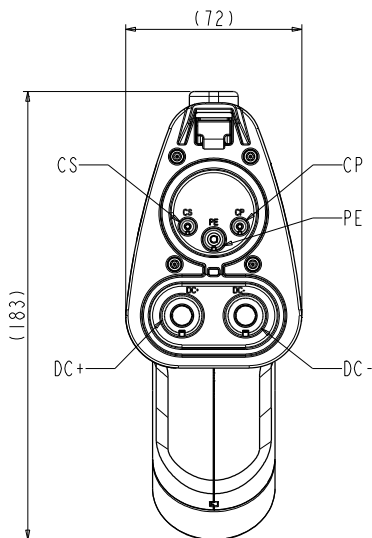
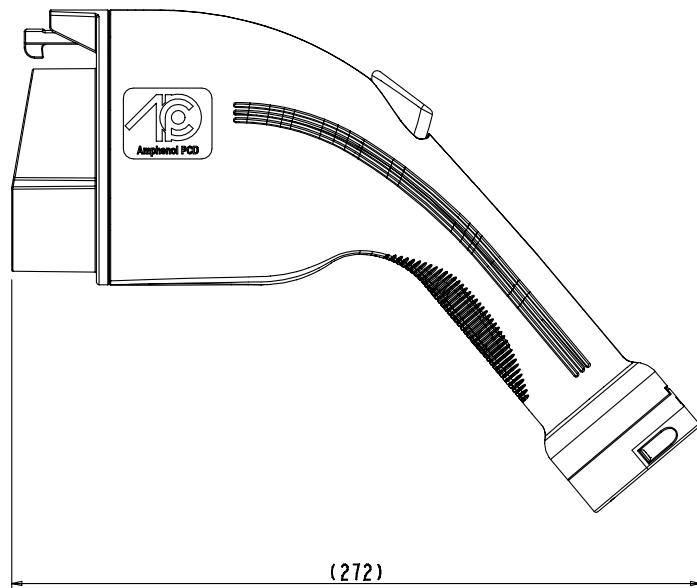
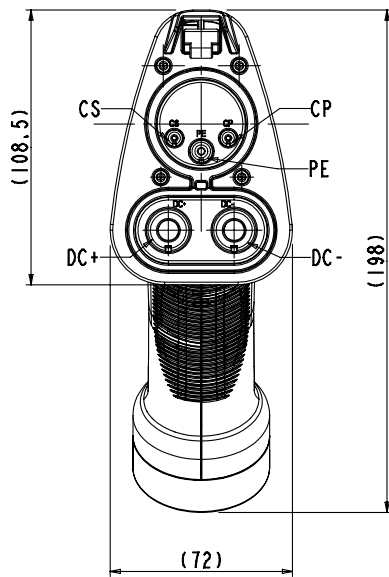
Compliant with:  
SAE J1772  
IEC 62196-3  
UL2251

Cooling system:  
2 feed pipes and 2 outlet pipes  
Working pressure: 0 to 7bar

MECHANICAL	
Mating cycles	> 20,000 cycles (unloaded)
Insertion / withdrawal force	< 100N
ELECTRICAL	
Rated current	600A Max. 850A (Peak)
Rated voltage	1000V DC
Temperature sensor	PT1000 The two power contacts DC+ and DC- are monitored by temperature-dependent resistor sensors
ENVIRONMENTAL	
Protection degree	Type 3S IP69
Ambient temperature	-30°C to 50°C
MATERIAL	
Shell	Thermoplastic
Contact	Copper alloy
Inserts	Thermoplastic
Sealing gasket	Rubber or silicon rubber
Insulator inflammability	UL94V0



## HPC CCS1 VEHICLE CONNECTOR DIMENSIONS



## HPC CCS1 VEHICLE CONNECTOR - PART NUMBERS

P/N	Rated current
HVCO11002 (without handle)	600A
HVCO11012 (with handle)	600A



**KEY FEATURES:**

Compliant with:  
IEC 62196-2  
IEC 62196-3

Cooling system:  
1 feed pipe and 2 outlet pipes  
Working pressure: 0 to 7bar

MECHANICAL	
Mating cycles	> 10,000 cycles (unloaded)
Insertion / withdrawal force	< 100N
ELECTRICAL	
Rated current	600A Max.
Rated voltage	1000V DC
Temperature sensor	PT1000 The two power contacts DC+ and DC- are monitored by temperature-dependent resistor sensors
ENVIRONMENTAL	
Protection degree	IP67 Enclosure, IP69
Ambient temperature	-30°C to 50°C
MATERIAL	
Shell	Thermoplastic
Contact	Copper alloy
Inserts	Thermoplastic
Sealing gasket	Rubber or silicon rubber
Insulator inflammability	UL94V0

## EXCELMATE HPC CCS2 WITH HANDLE - TECHNICAL CHARACTERISTICS



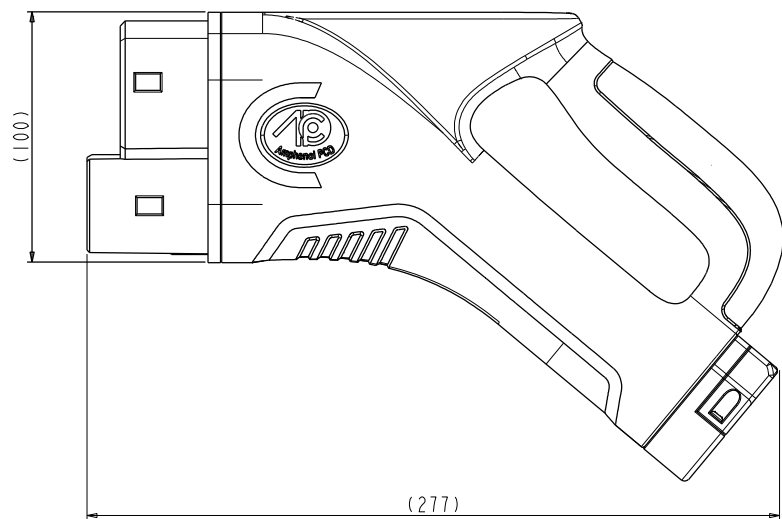
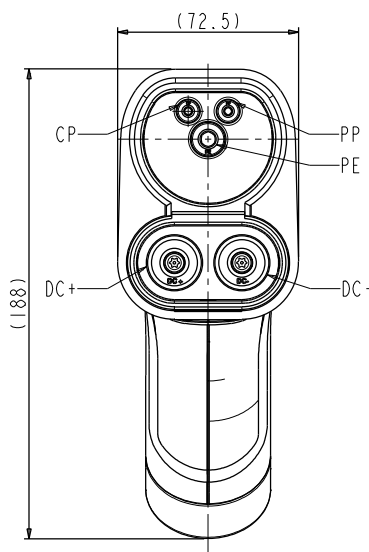
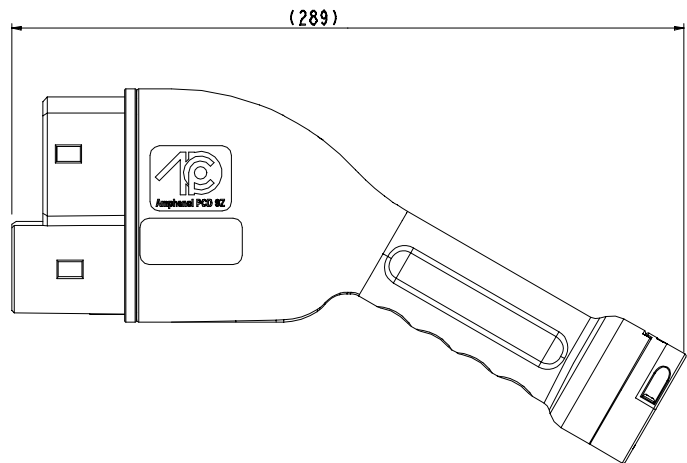
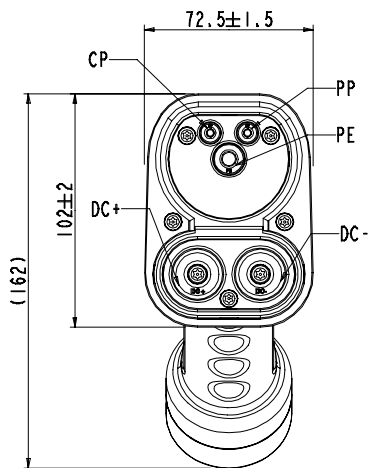
### KEY FEATURES:

Compliant with:  
IEC 62196-2  
IEC 62196-3

Cooling system:  
2 feed pipes and 2 outlet pipes  
Working pressure: 0 to 7bar

MECHANICAL	
Mating cycles	> 10,000 cycles (unloaded)
Insertion / withdrawal force	< 100N
ELECTRICAL	
Rated current	500A (Rated current CE qualified) 600A Max. (Internal test passed) 850A (Peak)
Rated voltage	1000V DC
Temperature sensor	PT1000 The two power contacts DC+ and DC- are monitored by temperature-dependent resistor sensors
ENVIRONMENTAL	
Protection degree	IP67 Enclosure, IP69
Ambient temperature	-30°C to 50°C
MATERIAL	
Shell	Thermoplastic
Contact	Copper alloy
Inserts	Thermoplastic
Sealing gasket	Rubber or silicon rubber
Insulator inflammability	UL94V0

## HPC CCS2 VEHICLE CONNECTOR DIMENSIONS



## HPC CCS2 VEHICLE CONNECTOR - CIRCUIT DIAGRAM

P/N	Rated current
HVCO21001 (without handle)	600A
HVCO21011 (with handle)	600A



**KEY FEATURES:**

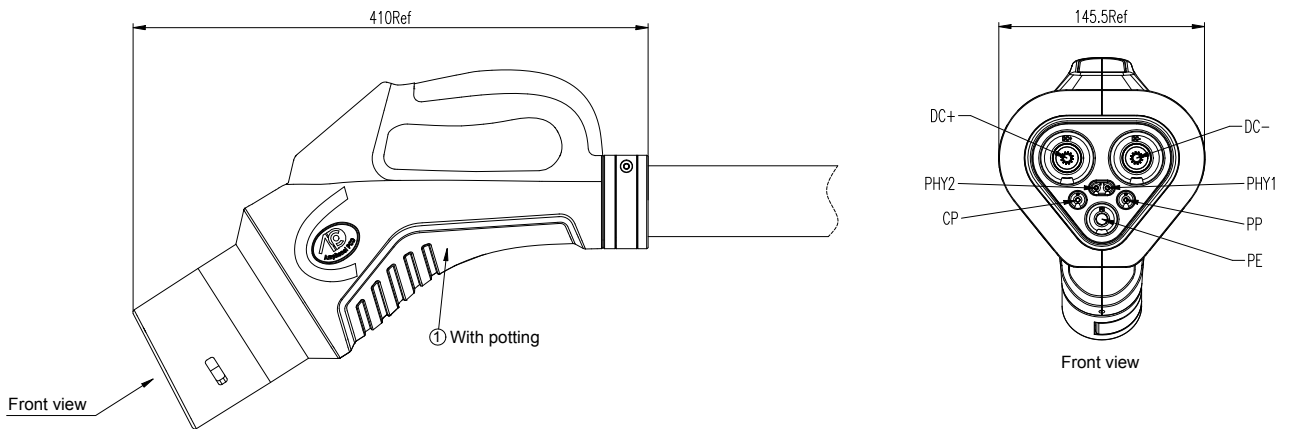
Compliant with:  
IEC TS 63379  
IEC 61851-23-3

Cooling system:  
1 feed pipe and 2 outlet pipes  
Working pressure: 0 to 7bar

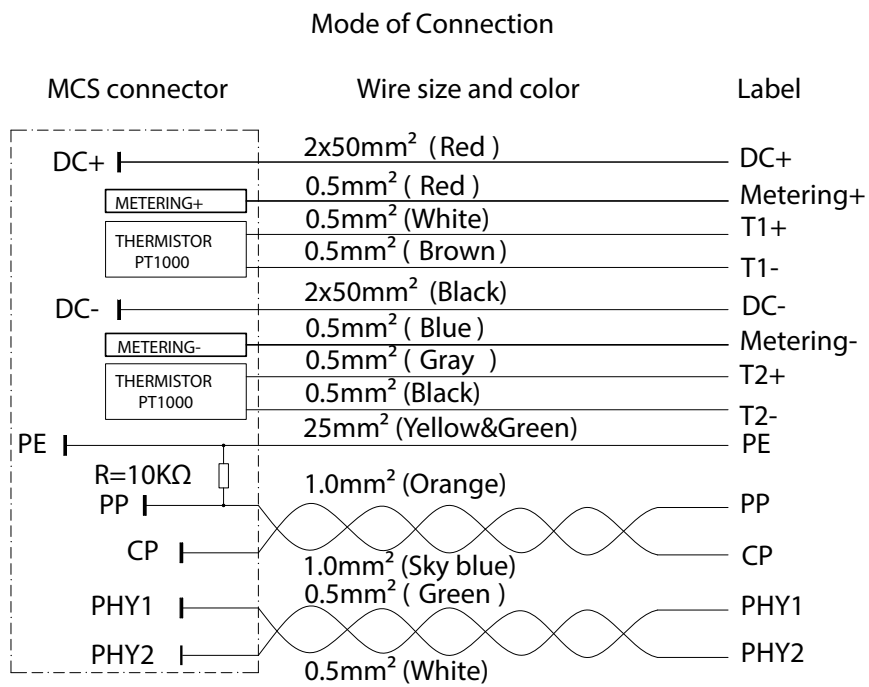
MECHANICAL	
Mating cycles	> 20,000 cycles (unloaded)
Insertion / withdrawal force	< 100N
ELECTRICAL	
Rated current	350A, 1500A
Rated voltage	1500V DC
ENVIRONMENTAL	
Protection degree	IP67, IP69
Ambient temperature	-40°C to 50°C
MATERIAL	
Shell	Thermoplastic
Contact	Copper alloy
Inserts	Thermoplastic
Sealing gasket	Rubber or silicon rubber
Insulator inflammability	UL94V0



## MCS VEHICLE CONNECTOR DIMENSIONS



## MCS VEHICLE CONNECTOR - CIRCUIT DIAGRAM



## MCS VEHICLE CONNECTOR - PART NUMBER

P/N	Rated current
HVCO4M <del>N</del> 1001L	350A
HVCO4M1001L	1500A

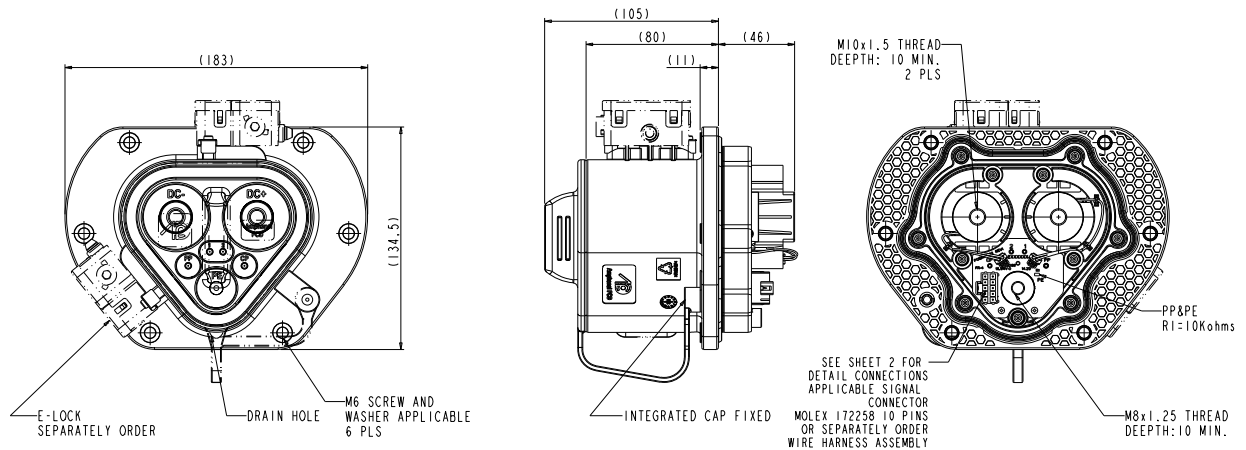


**KEY FEATURES:**

Compliant with:  
IEC TS 63379  
IEC 61851-23-3  
SAE J1772

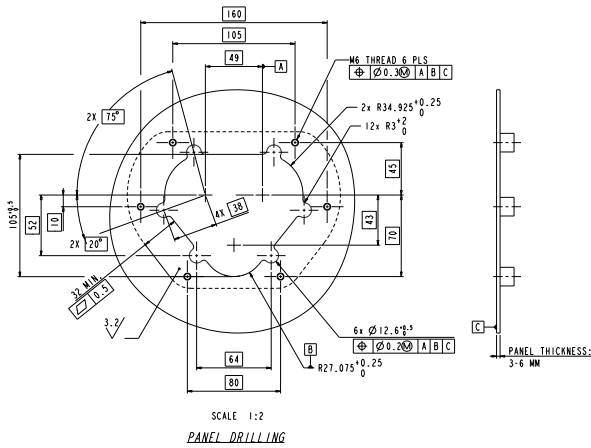
MECHANICAL	
Mating cycles	> 20,000 cycles (unloaded)
Insertion / withdrawal force	< 100N
ELECTRICAL	
Rated current	1000A (natural cooling copper bar) 3000A (liquid cooling copper bar)
Rated voltage	1250V DC
ENVIRONMENTAL	
Protection degree	IP67
Ambient temperature	-30°C to 50°C
MATERIAL	
Shell	Thermoplastic
Contact	Copper alloy
Inserts	Thermoplastic
Sealing gasket	Rubber or silicon rubber
Insulator inflammability	UL94V0

## MCS INLET | DIMENSIONS



## MOUNTING PANEL

## PART NUMBER



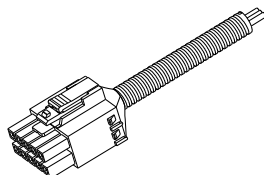
**Part Number**  
**HVCO4FN103**

## Electric lock | AMPHENOL PCD SHENZHEN (12V)

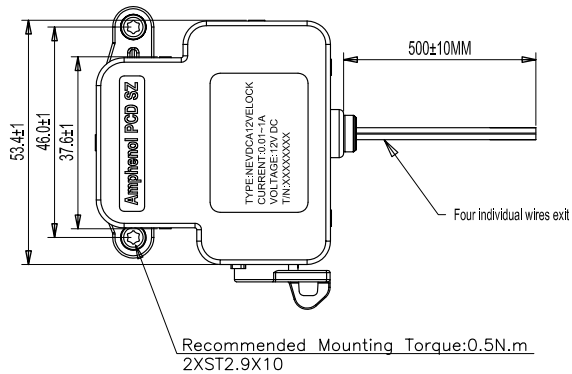
4-wire solution is available for 12V



**P/N: HVELA12SS001**



**Signal cable: P08B005767**



TYPE	RED	BLACK	WHITE	BLUE
UNLOCKING	+	-	SIGNAL (R <sub>U</sub> =+∞Ω)	
LOCKING	-	+	SIGNAL (R <sub>L</sub> =0Ω)	



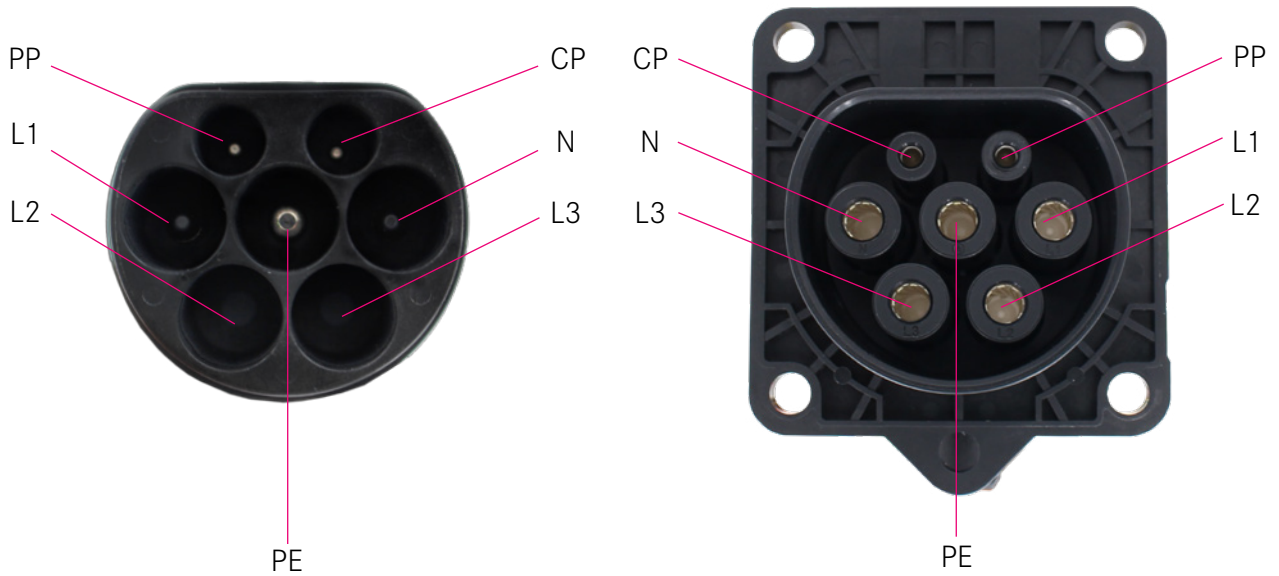
**KEY FEATURES:**

Compliant with:  
IEC 62196-2  
IEC 61851-1

Plug: EN17186  
Vehicle connector:  
CE, EV Ready & UKCA

MECHANICAL	
Mating cycles	> 10,000 cycles (unloaded)
ELECTRICAL	
Rated current	See page 15 & 16
Rated voltage	See page 15 & 16
ENVIRONMENTAL	
Protection degree	IP44 (plugged in) IP55 (with lids) IP67 (connector enclosure)
Ambient temperature	-30°C to 50°C
MATERIAL	
Shell	Thermoplastic
Contact	Copper alloy
Inserts	Thermoplastic
Sealing gasket	Rubber or silicon rubber
Insulator inflammability	UL94V0

## INSERT ARRANGEMENTS



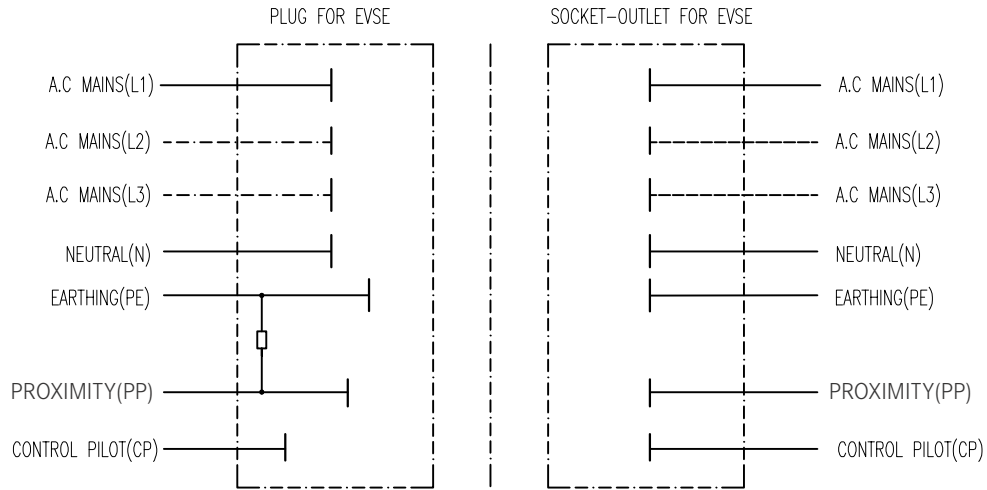
## CONFIGURATION

A.C. Type 2		Functions
1-Phase	3-Phase	
250V   20A, 32A	480V   20A, 32A	L1 (Mains 1)
-	480V   20A, 32A	L2 (Mains 2)
-	480V   20A, 32A	L3 (Mains 3)
250V   20A, 32A	480V   20A, 32A	N (Neutral)
Rated for fault		PE (Protective Ground/Earth)
30V   2A		CP (Control pilot)
30V   2A		PP (Proximity)



# AC TYPE 2 COUPLER FOR EVSE SIDE

## Circuit diagram



## Charging components

LXXXX: Cable length (unit in mm)



Socket-outlet (Shutter version)				
Type 2 / Mode 3	32A	3-Phase	HVCOSFS706LXXXX	-
	32A	1-Phase	HVCOSFS506LXXXX	-
	32A	3-Phase	HVCOSFS706NTLXXXX	NTC
	32A	1-Phase	HVCOSFS506NTLXXXX	NTC
	32A	3-Phase	HVCOSFS706PTLXXXX	PT1000
	32A	1-Phase	HVCOSFS506PTLXXXX	PT1000



Socket-outlet				
Type 2 / Mode 3	32A	3-Phase	HVCOIFS706LXXXX	-
	32A	1-Phase	HVCOIFS506LXXXX	-
	32A	3-Phase	HVCOIFS706NTLXXXX	NTC
	32A	1-Phase	HVCOIFS506NTLXXXX	NTC
	32A	3-Phase	HVCOIFS706PTLXXXX	PT1000
	32A	1-Phase	HVCOIFS506PTLXXXX	PT1000

Compliant with IEC 62196-2 standard 2-II a. Electric lock available

Configuration:

250V | 32A | 1-phase  
480V | 32A | 3-phase

More features: Protection cap, water drainage design, rear mount



Plug			
Type 2 / Mode 3	20A	1-Phase	HVCOIMBSR6PS502LXXXX
	20A	3-Phase	HVCOIMBSR6PS702LXXXX
	32A	1-Phase	HVCOIMBSR6PF504LXXXX
	32A	3-Phase	HVCOIMBSR6PF704LXXXX
	32A	1-Phase	HVCOIMBSR6PF506LXXXX
	32A	3-Phase	HVCOIMBSR6PF706LXXXX

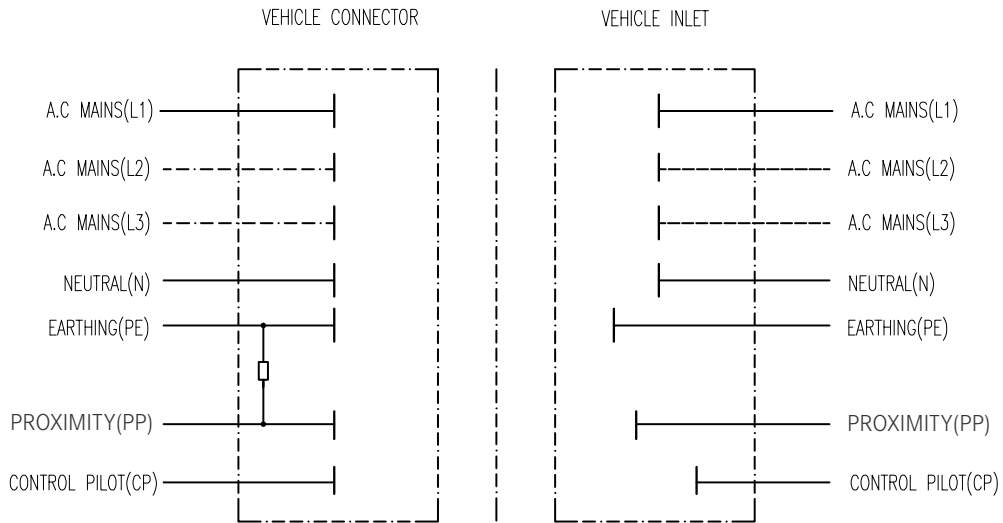
Compliant with IEC 62196-2 standard sheet 2-II b & EN17186.

Configuration:

250V | 20A or 32A | 1-phase  
480V | 20A or 32A | 3-phase

# AC TYPE 2 COUPLER FOR EV SIDE

## Circuit diagram



## Charging components

LXXXX: Cable length (unit in mm)



Type 2 / Mode 3			Socket-inlet
32A	3-Phase		HVCOIFR6SF706NT LXXXX
32A	1-Phase		HVCOIFR6SF506NT LXXXX
20A	3-Phase		HVCOIFR6SS702NT LXXXX
20A	1-Phase		HVCOIFR6SS502NT LXXXX

Compliant with IEC 62196-2 standard sheet 2-II b.

Configuration:

- 250V | 32A | 1-phase
- 480V | 32A | 3-phase
- 250V | 20A | 1-phase
- 480V | 20A | 3-phase



Type 2 / Mode 3			Vehicle connector	
20A	1-Phase	Wire range	2.5mm <sup>2</sup>	HVCOIMBR6PS502 LXXXX
20A	3-Phase		2.5mm <sup>2</sup>	HVCOIMBR6PS702 LXXXX
32A	1-Phase	Wire range	6mm <sup>2</sup>	HVCOIMBR6PF506 LXXXX
32A	3-Phase		6mm <sup>2</sup>	HVCOIMBR6PF706 LXXXX
32A	1-Phase	Wire range	4mm <sup>2</sup>	HVCOIMBR6PF504 LXXXX
32A	3-Phase		4mm <sup>2</sup>	HVCOIMBR6PF704 LXXXX

Compliant with IEC 62196-2 standard sheet 2-II e & EN17186.

Configuration:

- 250V | 20A or 32A | 1-phase
- 480V | 20A or 32A | 3-phase



Type 2 / Mode 3			Vehicle connector (Shutter version)	
20A (Potted)	1-Phase	Wire range	2.5mm <sup>2</sup>	HVCOSMR6PF502 LXXXX
32A (Potted)	1-Phase		4mm <sup>2</sup>	HVCOSMR6PF504 LXXXX
32A (Potted)	1-Phase	Wire range	6mm <sup>2</sup>	HVCOSMR6PF506 LXXXX
20A (Potted)	3-Phase		2.5mm <sup>2</sup>	HVCOSMR6PF702 LXXXX
32A (Potted)	3-Phase	Wire range	4mm <sup>2</sup>	HVCOSMR6PF704 LXXXX
32A (Potted)	3-Phase		6mm <sup>2</sup>	HVCOSMR6PF706 LXXXX

Compliant with IEC 62196-2 standard sheet 2-II e & EN17186.

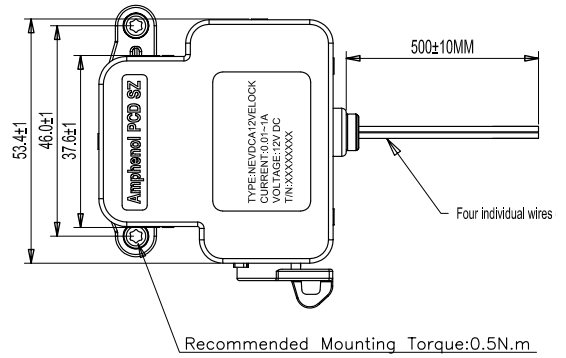
Configuration:

- 250V | 32A | 1-phase
- 480V | 32A | 3-phase

## LOCKING ACTUATOR

### Electric lock | AMPHENOL PCD SHENZHEN (12V)

4 wire solution is available.



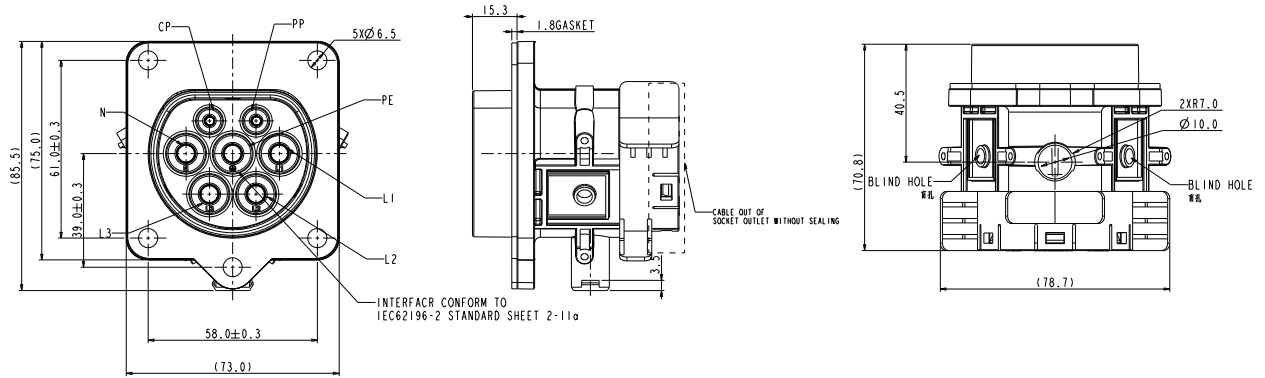
P/N (12V):  
**NEVDCA12VELOCKL0500**

TYPE	RED	BLACK	WHITE	BLUE
UNLOCKING	+	-	SIGNAL( $R_U=1k\Omega$ )	
LOCKING	-	+	SIGNAL( $R_L=11k\Omega$ )	

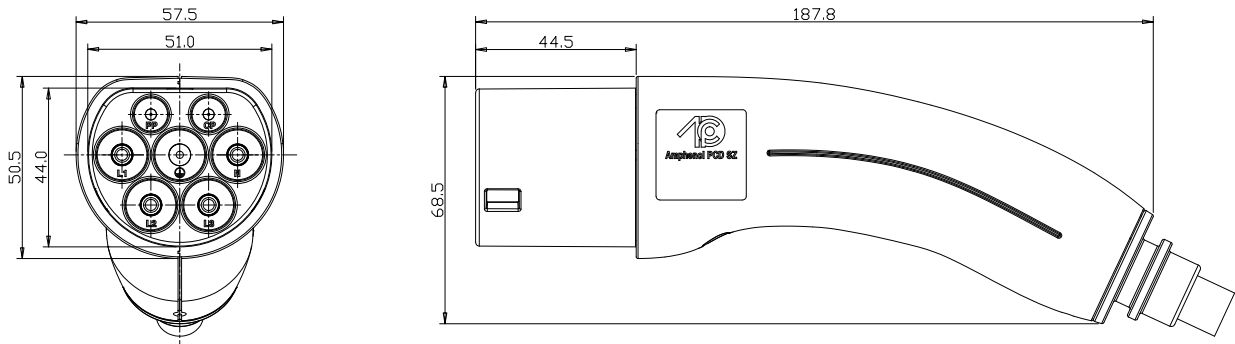
## PROTECTION CAP WITH HINGED LID

P/N		DRAWING		
HVCOISLIDXBXX	<p>Press</p>			
HVCOISLIDXCXX	<p>Pull</p>			

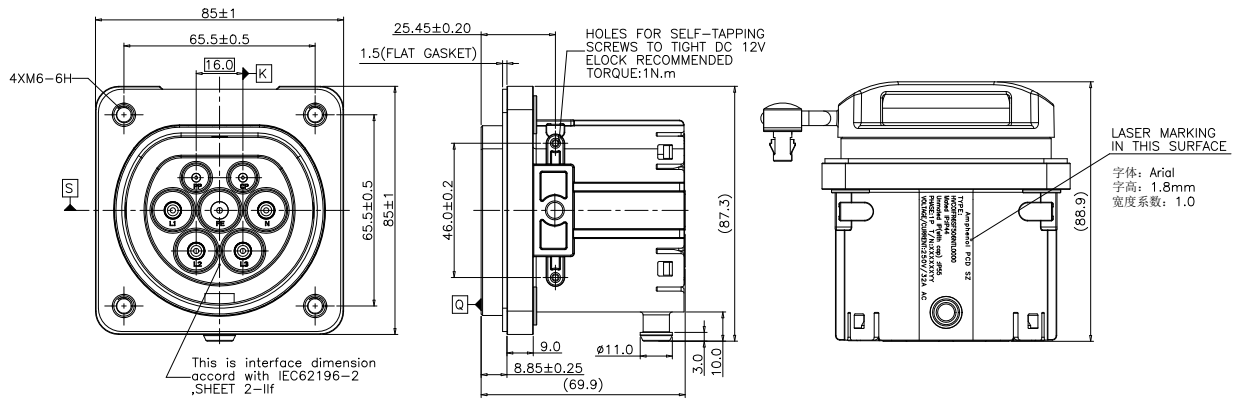
## SOCKET-OUTLET DIMENSIONS (EVSE)



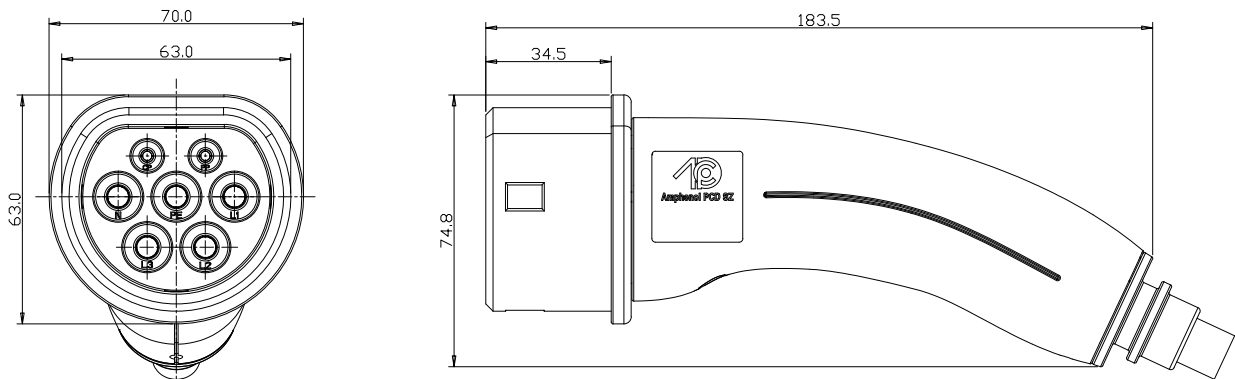
## PLUG DIMENSIONS (EVSE)



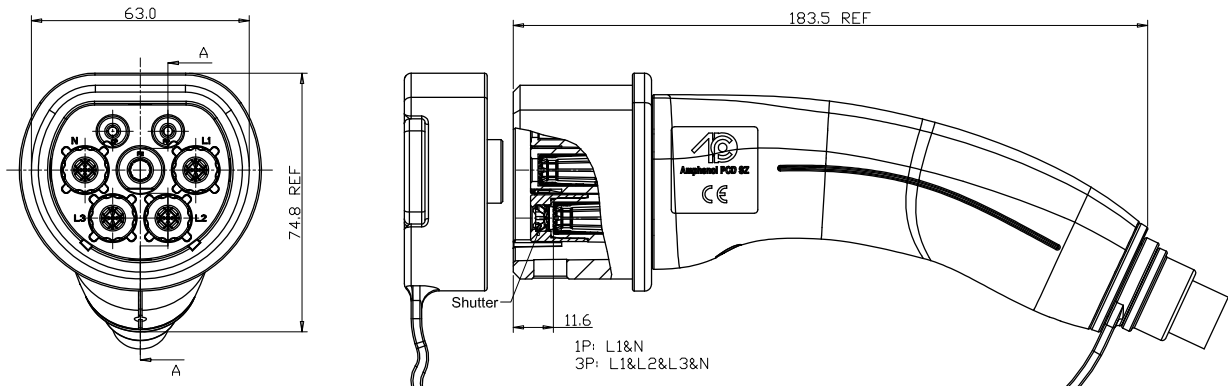
## SOCKET-INLET DIMENSIONS



## VEHICLE CONNECTOR DIMENSIONS



## POTTED VEHICLE CONNECTOR DIMENSIONS

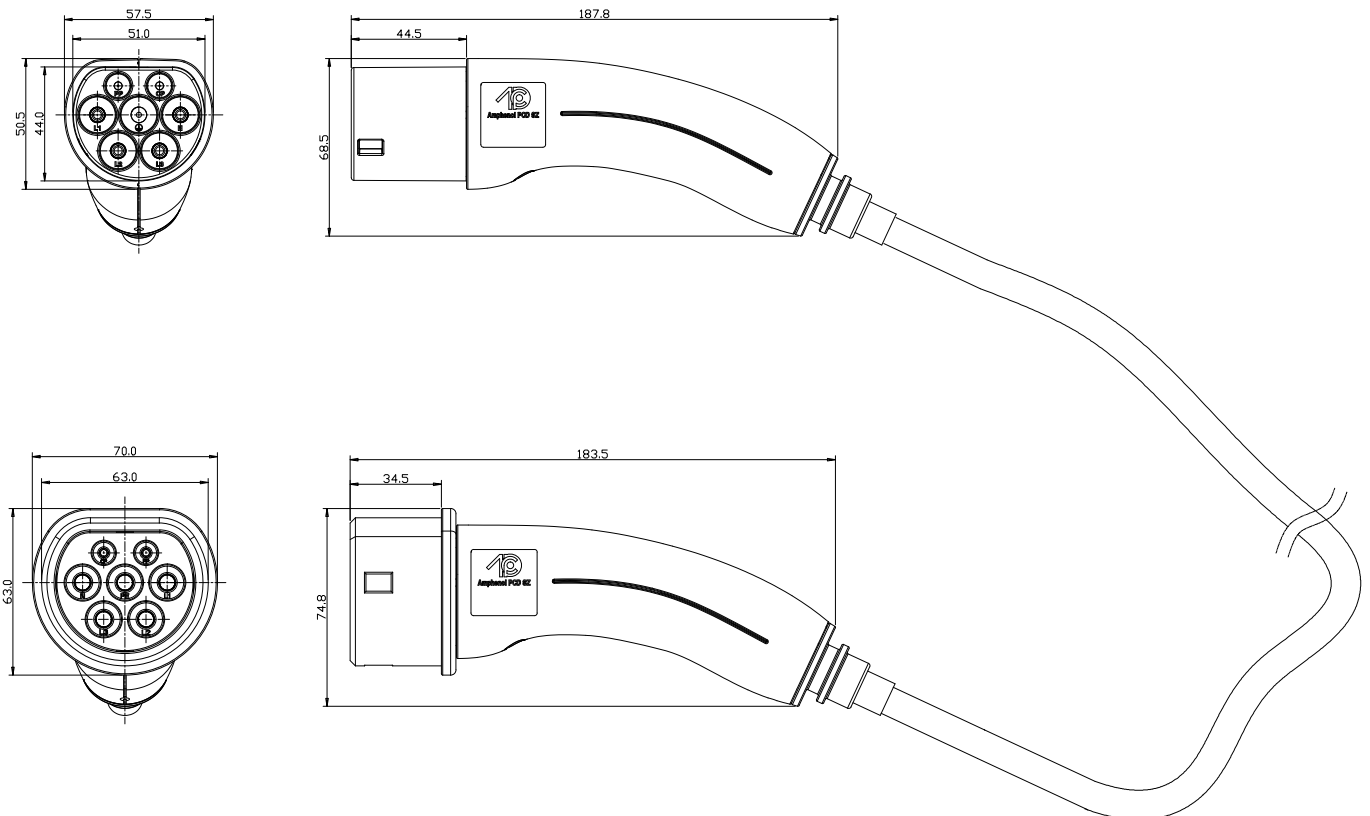


## PLUG (EVSE) + VEHICLE CONNECTOR (EV) DIMENSIONS - MODE 3



Part Number		
16/20A	1-Phase	HVCOIMBSCR6PS502LXXXX
16/20A	3-Phase	HVCOIMBSCR6PS702LXXXX
32A	1-Phase	HVCOIMBSCR6PF504LXXXX
32A	3-Phase	HVCOIMBSCR6PF704LXXXX
32A	1-Phase	HVCOIMBSCR6PF506LXXXX
32A	3-Phase	HVCOIMBSCR6PF706LXXXX

LXXXX: Cable length (unit in mm)







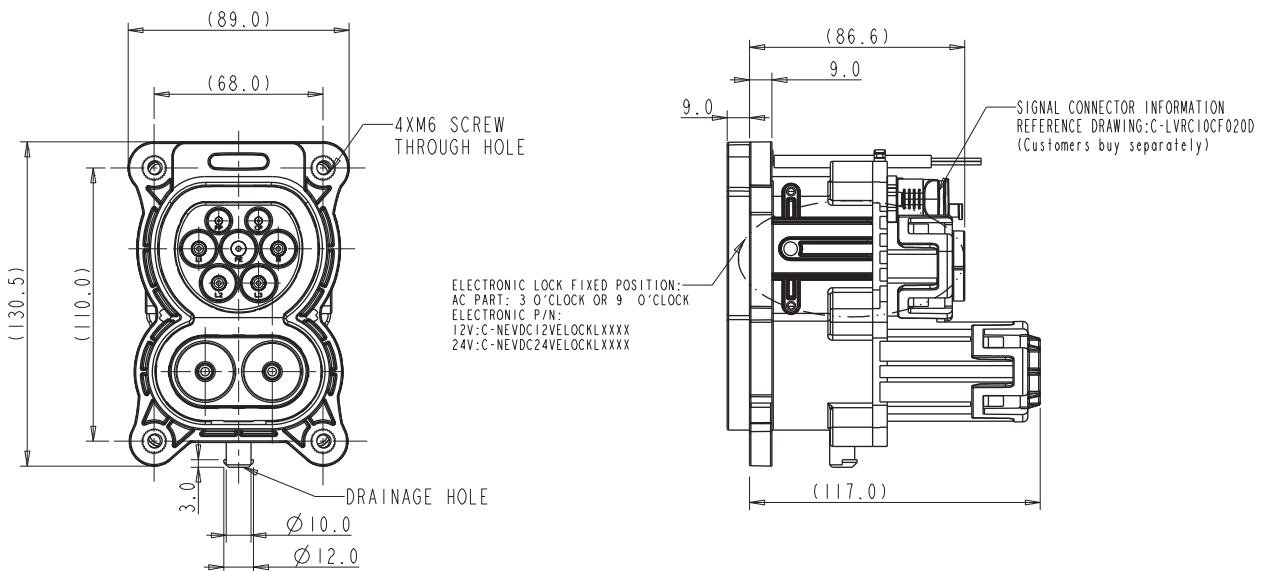
**KEY FEATURES:**

Compliant with:  
IEC 62196-2  
IEC 62196-3

Vehicle connector:  
EN17186, CE, UKCA

MECHANICAL	
Mating cycles	Inlet: > 10,000 cycles (unloaded) Vehicle Connector: > 20,000 cycles (unloaded)
Insertion / withdrawal force	< 100N
ELECTRICAL	
Rated current	See page 23 and 25
Rated voltage	See page 23 and 25
Temperature sensor (Optional)	The two power contacts DC+ and DC- are monitored by temperature-dependent resistor sensors
ENVIRONMENTAL	
Protection degree	IP44 (plugged in) IP55 (with lids) IP67 (connector enclosure)
Ambient temperature	-30°C to 50°C
MATERIAL	
Shell	Thermoplastic
Contact	Copper alloy
Inserts	Thermoplastic
Sealing gasket	Rubber or silicon rubber
Insulator inflammability	UL94V0

## IEC COMBO VEHICLE INLET DIMENSIONS (VERSION A)



## IEC COMBO ELECTRICAL SPECIFICATIONS

Combined interface		Functions
1-phase	3-phase	
250V   32A, 63A	480V   32A, 63A	L1 (Mains 1) - Optional
-	480V   32A, 63A	L2 (Mains 2) - Optional
-	480V   32A, 63A	L3 (Mains 3) - Optional
250V   32A, 63A	480V   32A, 63A	N (Neutral) - Optional
Rated for fault		PE (Protective Ground/Earth)
30V   2A		CP (Control pilot)
30V   2A		PP (Proximity)
1000V   150A, 200A, 250A, 300A		DC+ (High power d.c.)
1000V   150A, 200A, 250A, 300A		DC- (High power d.c.)

# IEC COMBO VEHICLE INLET WITH LED DIMENSIONS (VERSION B - PCBA)

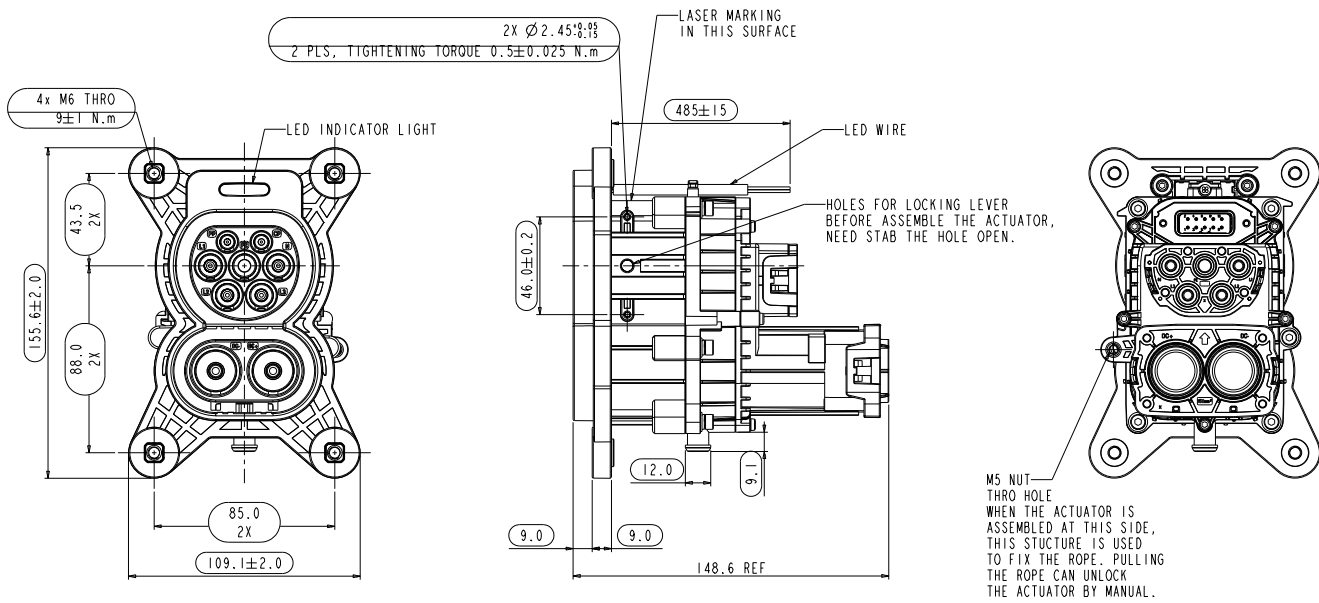
Rear mount without protection cap



Rear mount with protection cap



Part Number:  
P02B000051



Signal connector with cable assembly



P/N	Positions
P08B002345	5 POS
P08B002344	8 POS
P08B002343	9 POS

## VERSION A

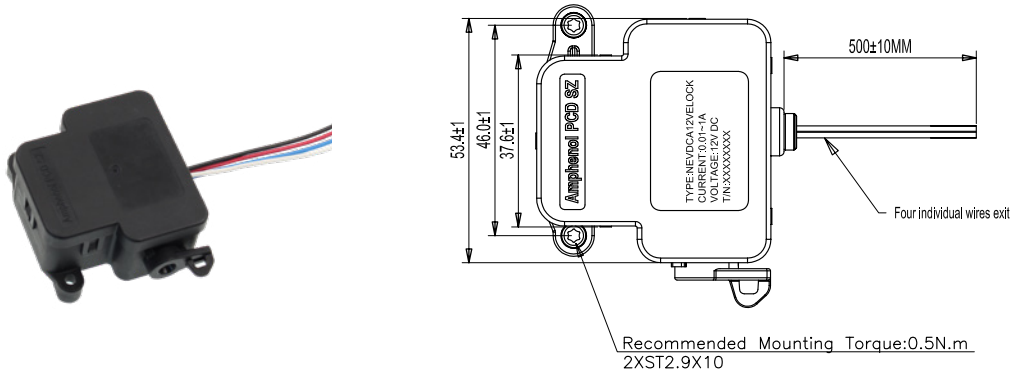
P/N	AC		DC		LED	Thermistor
	Rated current (A)	Cable size (mm <sup>2</sup> )	Rated current (A)	Cable size (mm <sup>2</sup> )		
HVCOCFC11A	1 x 32	6	150	35	12V	PT1000(DC)+NTC(AC)
HVCOCFD11A	3 x 32	6	150	35	12V	PT1000(DC)+NTC(AC)
HVCOCFC08A	1 x 32	6	200	50	12V	PT1000(DC)+NTC(AC)
HVCOCFD08A	3 x 32	6	200	50	12V	PT1000(DC)+NTC(AC)
HVCOCFC05A	1 x 32	6	250	70	12V	PT1000(DC)+NTC(AC)
HVCOCFD05A	3 x 32	6	250	70	12V	PT1000(DC)+NTC(AC)
HVCOCFC02A	1 x 32	6	300	95	12V	PT1000(DC)+NTC(AC)
HVCOCFD02A	3 x 32	6	300	95	12V	PT1000(DC)+NTC(AC)

## VERSION B - PCBA

P/N	Rated current (AC)	Rated current (DC)	Phase	AC cable size	DC cable size	Temperature sensor (DC) Recommended
HVCOCF0210DN	32A	500A	3	6mm <sup>2</sup>	150mm <sup>2</sup>	PT1000
HVCOCF0212DN	63A	500A	3	16mm <sup>2</sup>	150mm <sup>2</sup>	PT1000
HVCOCF0213DN	32A	400A	3	6mm <sup>2</sup>	120mm <sup>2</sup>	PT1000
HVCOCF0215DN	63A	400A	3	16mm <sup>2</sup>	120mm <sup>2</sup>	PT1000
HVCOCF0216DN	32A	300A	3	6mm <sup>2</sup>	95mm <sup>2</sup>	PT1000
HVCOCF0218DN	63A	300A	3	16mm <sup>2</sup>	95mm <sup>2</sup>	PT1000
HVCOCF0219DN	32A	200A	3	6mm <sup>2</sup>	70mm <sup>2</sup>	PT1000
HVCOCF0221DN	63A	200A	3	16mm <sup>2</sup>	70mm <sup>2</sup>	PT1000
HVCOCF0222DN	32A	500A	1	6mm <sup>2</sup>	150mm <sup>2</sup>	PT1000
HVCOCF0224DN	63A	500A	1	16mm <sup>2</sup>	150mm <sup>2</sup>	PT1000
HVCOCF0225DN	32A	400A	1	6mm <sup>2</sup>	120mm <sup>2</sup>	PT1000
HVCOCF0227DN	63A	400A	1	16mm <sup>2</sup>	120mm <sup>2</sup>	PT1000
HVCOCF0228DN	32A	300A	1	6mm <sup>2</sup>	95mm <sup>2</sup>	PT1000
HVCOCF0230DN	63A	300A	1	16mm <sup>2</sup>	95mm <sup>2</sup>	PT1000
HVCOCF0231DN	32A	200A	1	6mm <sup>2</sup>	70mm <sup>2</sup>	PT1000
HVCOCF0233DN	63A	200A	1	16mm <sup>2</sup>	70mm <sup>2</sup>	PT1000
HVCOCF0234DN	-	500A	-	-	150mm <sup>2</sup>	PT1000
HVCOCF0235DN	-	400A	-	-	120mm <sup>2</sup>	PT1000
HVCOCF0236DN	-	300A	-	-	95mm <sup>2</sup>	PT1000
HVCOCF0237DN	-	200A	-	-	70mm <sup>2</sup>	PT1000

## Electric lock | AMPHENOL PCD SHENZHEN (12V, 24V)

4-wire solution is available for both 12V and 24V.



P/N (12V): **NEVDCA12VELOCK**

TYPE	RED	BLACK	WHITE	BLUE
UNLOCKING	+	-	SIGNAL( $R_U=1k\Omega$ )	
LOCKING	-	+	SIGNAL( $R_L=11k\Omega$ )	

P/N (24V): **NEVDCA24VELOCK**

TYPE	RED	BLACK	WHITE	BLUE
UNLOCKING	+	-	SIGNAL( $R_U=+\infty\Omega$ )	
LOCKING	-	+	SIGNAL( $R_L=0\Omega$ )	



9 o'clock



3 o'clock



## IEC COMBO VEHICLE CONNECTOR



P/N	Rated current (DC)	DC cable size	PE cable size
HVCOCMTR8PF200AML	200A	2 x 25mm <sup>2</sup>	4mm <sup>2</sup>
HVCOCMTR8PF250AML	250A	2 x 35mm <sup>2</sup>	4mm <sup>2</sup>
HVCOCMTR8PF350AML	350A	2 x 50mm <sup>2</sup>	4mm <sup>2</sup>
HVCOCMTR8PF380AML	380A	2 x 50mm <sup>2</sup>	6mm <sup>2</sup>

## IEC COMBO VEHICLE CONNECTOR - 40A, 65A, 80A



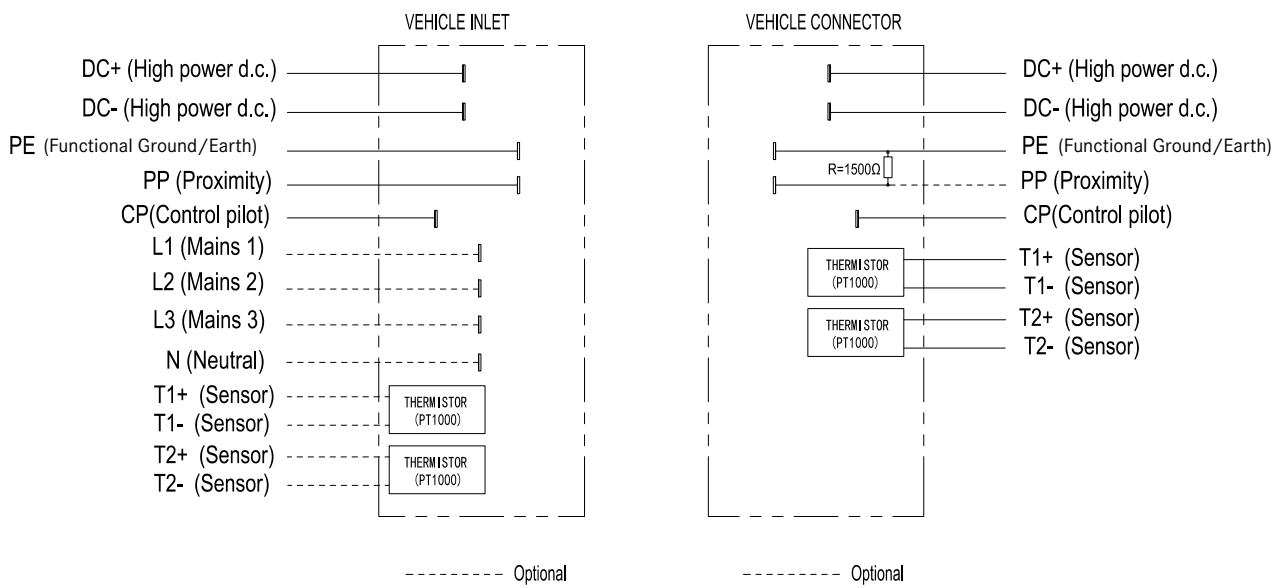
Mating cycles:	> 10,000 cycles (unloaded)
Insertion / withdrawal force:	< 100N
Rated current:	80A@16mm <sup>2</sup>
	65A@10mm <sup>2</sup>
	40A@6mm <sup>2</sup>
Rated voltage:	1000V (DC)
Standards:	IEC62196.1, IEC62196.3
Temperature sensor:	PT1000
Waterproof:	IP55 (mated)
Ambient temperature:	-30 to 50°C
ROHS:	Yes

P/N	Rated current
HVCOCMCTR8PF506LXXXX	40A
HVCOCMCTR8PF510LXXXX	65A
HVCOCMCTR8PF516LXXXX	80A

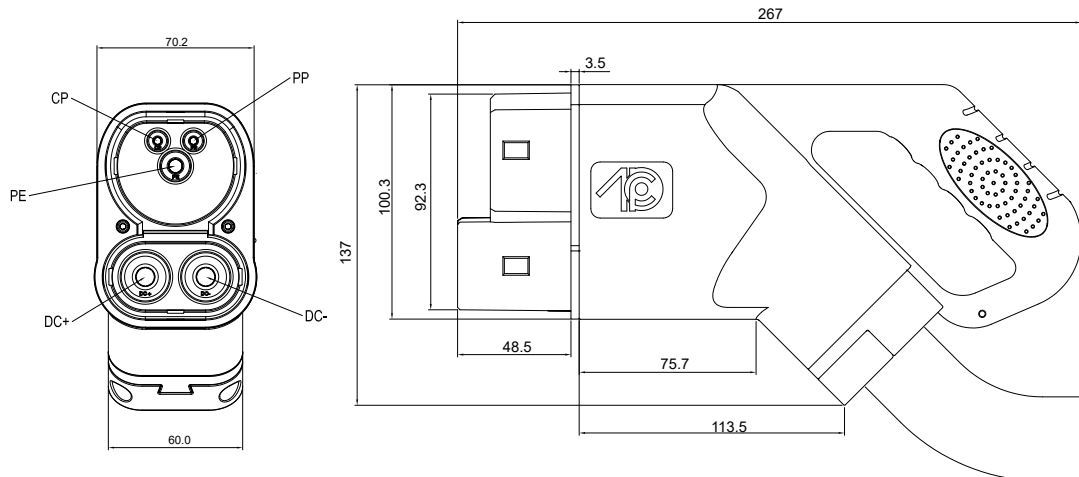
## IEC COMBO ELECTRICAL SPECIFICATIONS

Combined interface	Functions
Rated for fault	PE (Functional Ground/Earth)
30V   2A	CP (Control pilot)
30V   2A	PP (Proximity)
1000V   200A, 250A, 300A, 350A, 380A	DC+ (High power d.c.)
1000V   200A, 250A, 300A, 350A, 380A	DC- (High power d.c.)

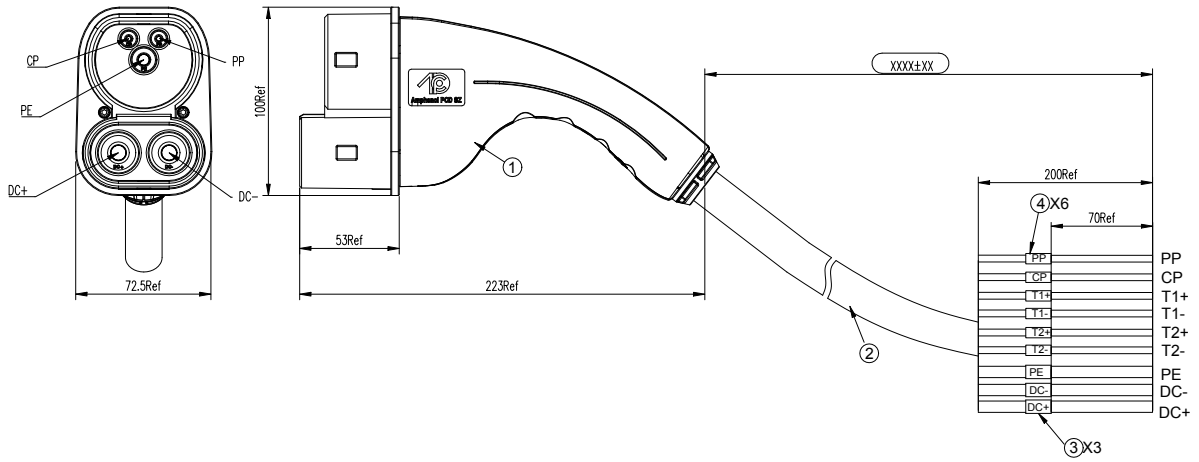
## CIRCUIT DIAGRAMS



## IEC COMBO VEHICLE CONNECTOR DIMENSIONS



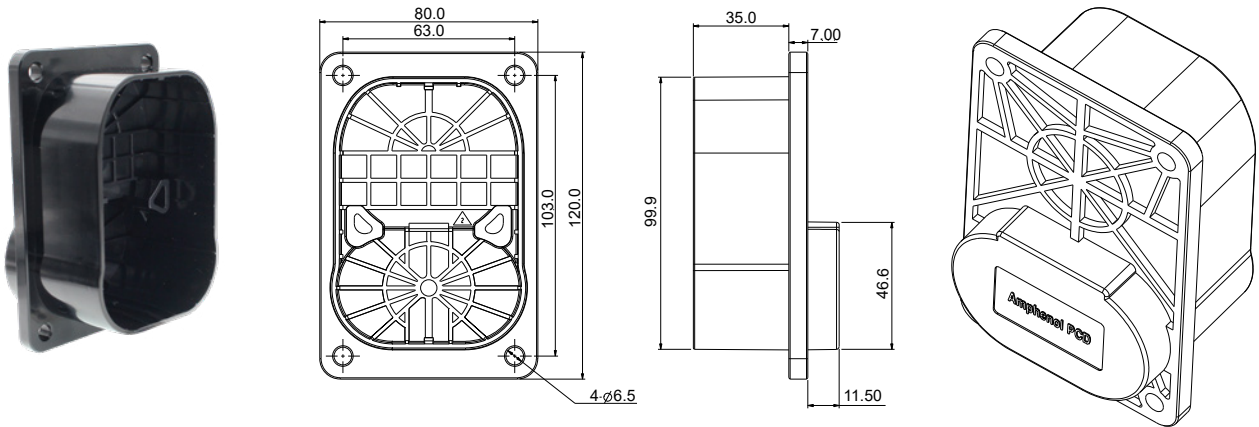
## IEC COMBO VEHICLE CONNECTOR - 40A, 80A



## HOLDER FOR PLUG

P/N: **C-C220027208**

(Connectors do not include, please order seperately)



## EXCEL|MATE CC SAE TYPE1 AC CONNECTOR - TECHNICAL CHARACTERISTICS

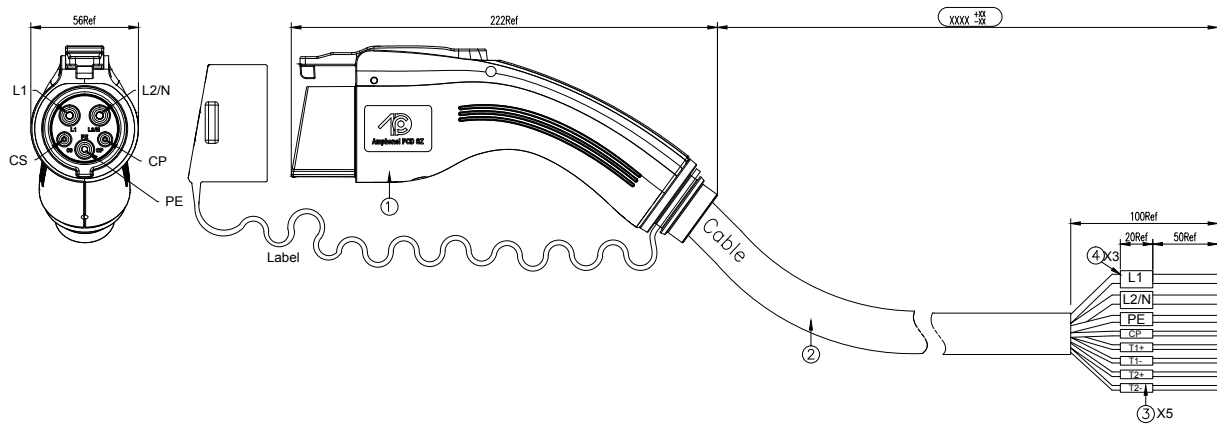


### KEY FEATURES:

Compliant with:  
SAE J1772, IEC 62196-1

MECHANICAL	
Mating cycles	> 10,000 cycles
Insertion / withdrawal force	100N Max
ELECTRICAL	
Rated current	L1, L2 : 16A, 32A, 48A/50A, 80A CS, CP: 2A
Rated voltage	L1, L2 : 240V AC CS, CP: 30V
Withstand voltage	2000V AC
Insulation resistance	> 100MΩ (500V DC)
ENVIRONMENTAL	
Protection degree	Type 3S
Ambient temperature	-30°C to 50°C
MATERIAL	
Shell	Thermoplastic
Shell color	Black
Contact	Copper alloy
Inserts	Thermoplastic
Sealing gasket	Rubber or silicon rubber
Insulator inflammability	UL94V0

## SAE TYPE1 AC CONNECTOR DIMENSIONS



## SAE TYPE1 AC CONNECTOR - PART NUMBER

Shell color: Black

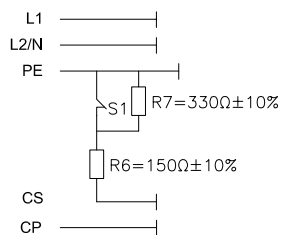
LXXXX: Cable length (unit in mm)



### POTTED VERSION

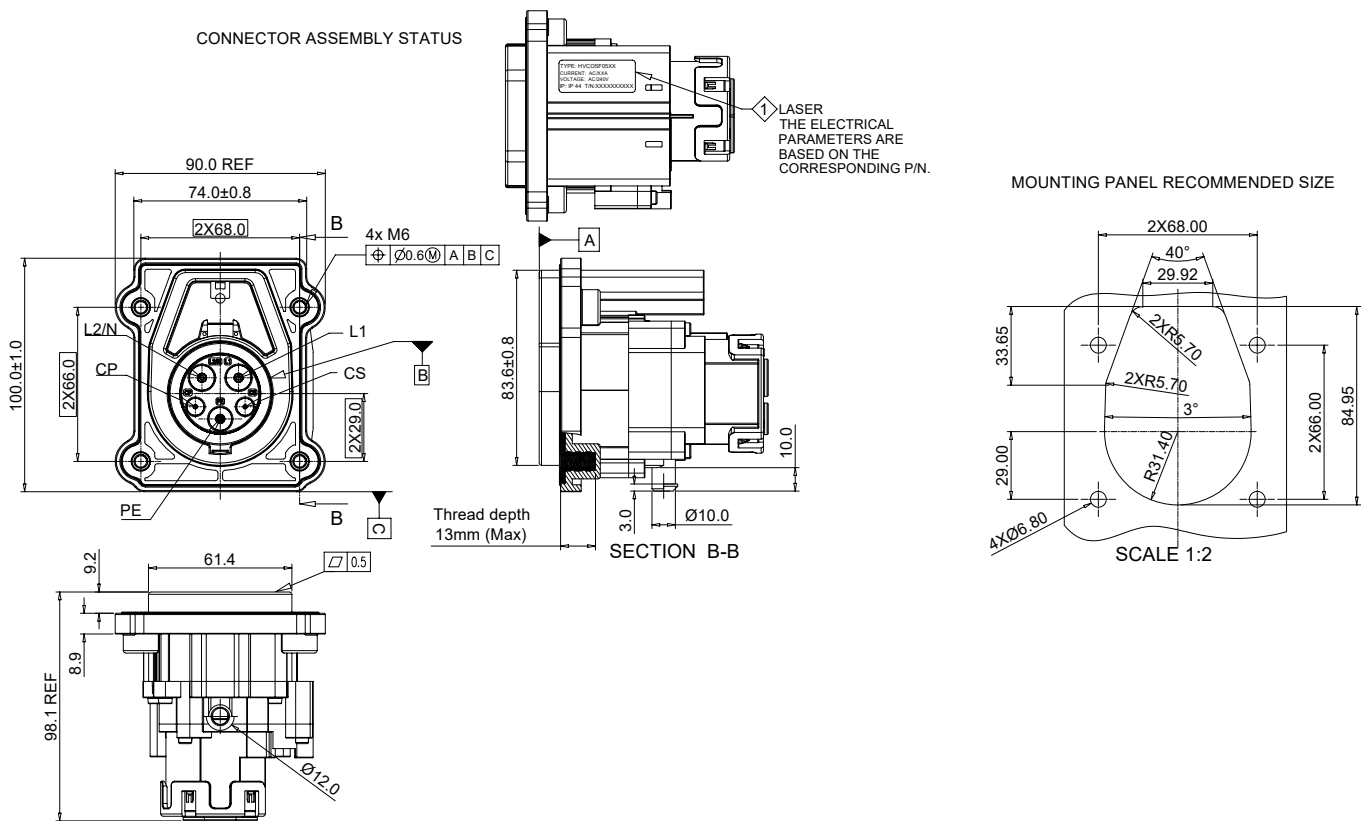
	Part Number	Sensor
32A	HVCOSAEMACBPF506LXXXX	N/A
32A	HVCOSAEMACBPF506NLXXXX	NTC
32A	HVCOSAEMACBPF506PLXXXX	PT1000
50A	HVCOSAEMACBPF510NLXXXX	NTC
50A	HVCOSAEMACBPF510PLXXXX	PT1000
80A	HVCOSAEMACBPF516NLXXXX	NTC
80A	HVCOSAEMACBPF516PLXXXX	PT1000

## CIRCUIT DIAGRAMS & CABLE SIZE

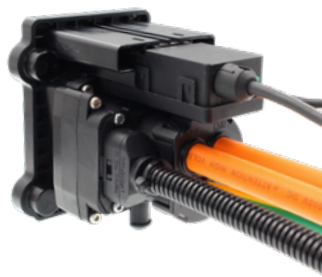


	Cable size		
Current	80A	50A	32A
L1, L2/N	6 AWG	8 AWG	10 AWG
PE	8 AWG	10 AWG	10 AWG
CS, CP	18 AWG		

## SAE TYPE1 AC SOCKET DIMENSIONS



## SAE TYPE1 AC SOCKET - PART NUMBER



### ELECTRIC LOCK

P/N (12V): HVEL12GS002S2



Part Number	Rated Current	Cable Spec for L1 & L2/N PIN	Cable Spec for PE PIN
HVCOSF0500	L1 & L2/N : <b>16A</b>	2.5mm <sup>2</sup> (14AWG) shielded cable O.D.: 4.2 to 4.7mm	2.5mm <sup>2</sup> (14AWG) unshielded cable O.D.: 3.3 to 3.6mm
HVCOSF0500S1	L1 & L2/N : <b>16A</b>	2.5mm <sup>2</sup> (14AWG) shielded cable O.D.: 4.8 to 5.2mm	2.5mm <sup>2</sup> (14AWG) shielded cable O.D.: 4.8 to 5.2mm
HVCOSF0501	L1 & L2/N : <b>32A</b>	6mm <sup>2</sup> (10AWG) shielded cable O.D.: 6.0 to 6.5mm	6mm <sup>2</sup> (10AWG) unshielded cable O.D.: 4.6 to 5.3mm
HVCOSF0502	L1 & L2/N : <b>48A</b>	10mm <sup>2</sup> (8AWG) shielded cable O.D.: 8.2 to 8.8mm	10mm <sup>2</sup> (8AWG) unshielded cable O.D.: 5.9 to 6.5mm
HVCOSF0503	L1 & L2/N : <b>80A</b>	16mm <sup>2</sup> (6AWG) shielded cable O.D.: 9.6 to 10.2mm	16mm <sup>2</sup> (6AWG) unshielded cable O.D.: 7.7 to 8.3mm
HVCOSF0504	L1 & L2/N : <b>80A</b>	25mm <sup>2</sup> (4AWG) shielded cable O.D.: 11.6 to 12.2mm	25mm <sup>2</sup> (4AWG) unshielded cable O.D.: 9.4 to 10mm

Both processes, **crimping** and **ultrasonic welding** are available.

## EXCEL|MATE NACS AC - TECHNICAL CHARACTERISTICS

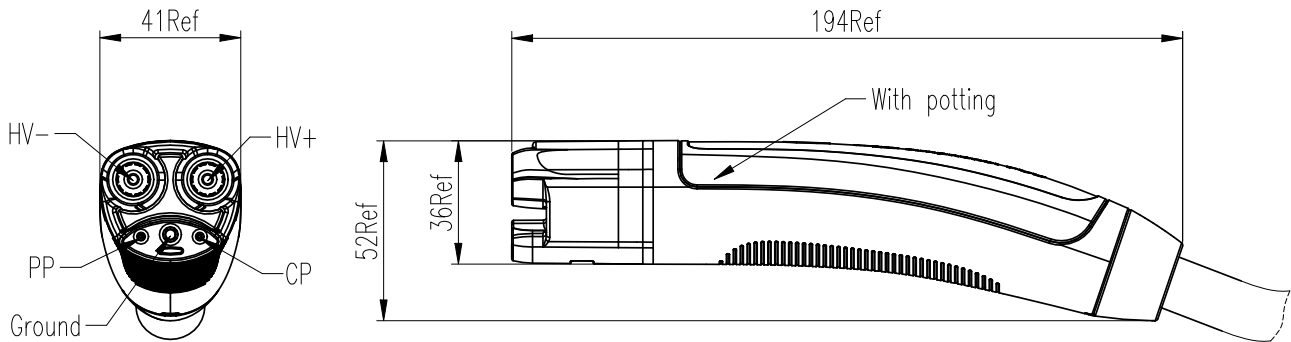


### KEY FEATURES:

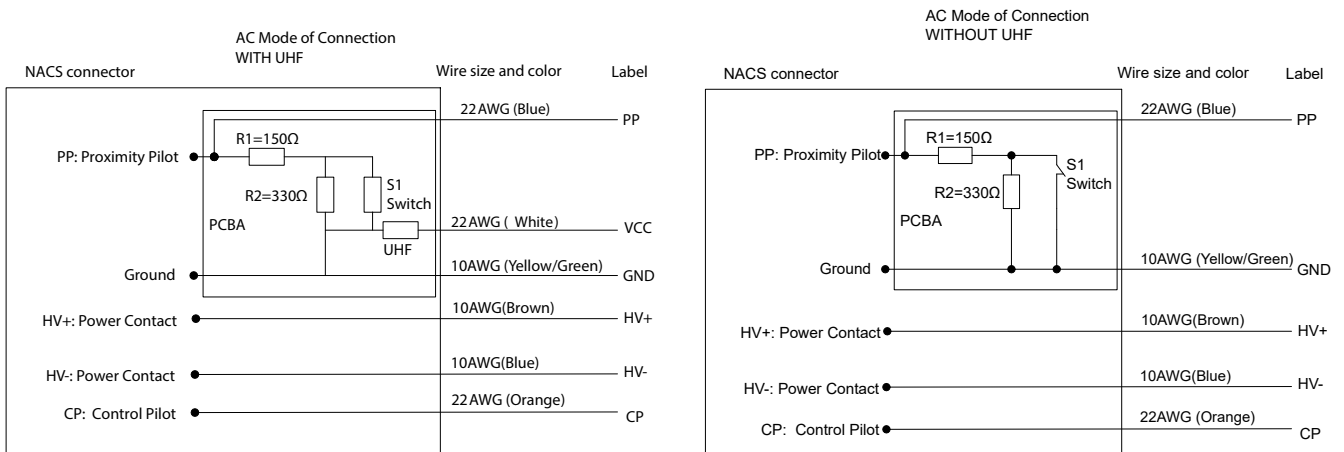
Compliant with:  
SAE J1772  
SAE J3400  
UL2251

MECHANICAL	
Mating cycles	> 10,000 cycles (unloaded)
Insertion / withdrawal force	< 100N
ELECTRICAL	
Rated current	40A, 50A, 80A
Rated voltage	600V AC
ENVIRONMENTAL	
Protection degree	Type 3S IP67
Ambient temperature	-40°C to 50°C
MATERIAL	
Shell	Thermoplastic
Contact	Copper alloy
Inserts	Thermoplastic
Sealing gasket	Rubber or silicon rubber
Insulator inflammability	UL94V0

## NACS AC VEHICLE CONNECTOR DIMENSIONS



## NACS AC VEHICLE CONNECTOR - CIRCUIT DIAGRAMS



## NACS AC VEHICLE CONNECTOR - PART NUMBER

	HVCO	N1MA	XXA	X	LXXXX	X
<b>NACS AC Vehicle Connector</b>						
<b>Rated current DC:</b>						
<b>40A:</b> 40A						
<b>50A:</b> 50A						
<b>80A:</b> 80A						
<b>Temperature sensor:</b>						
<b>N:</b> NTC (Unit in mm)						
<b>P:</b> PT1000 (Unit in mm)						
<b>N/A:</b> No sensor						
<b>Cable accessories:</b>						
<b>XXXX:</b> Cable accessories or customer code						
<b>UHF:</b>						
<b>U:</b> Yes (315MHZ)						
<b>N/A:</b> No						



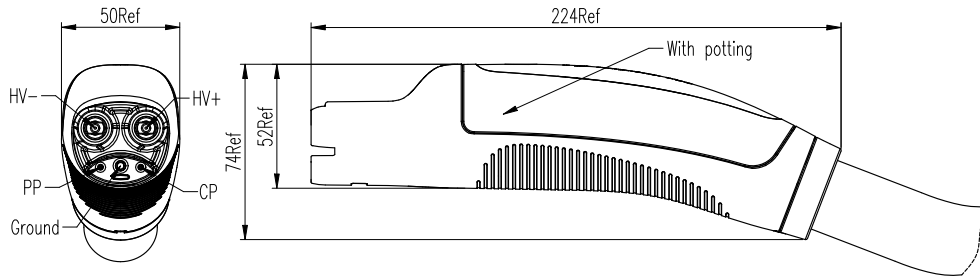


**KEY FEATURES:**

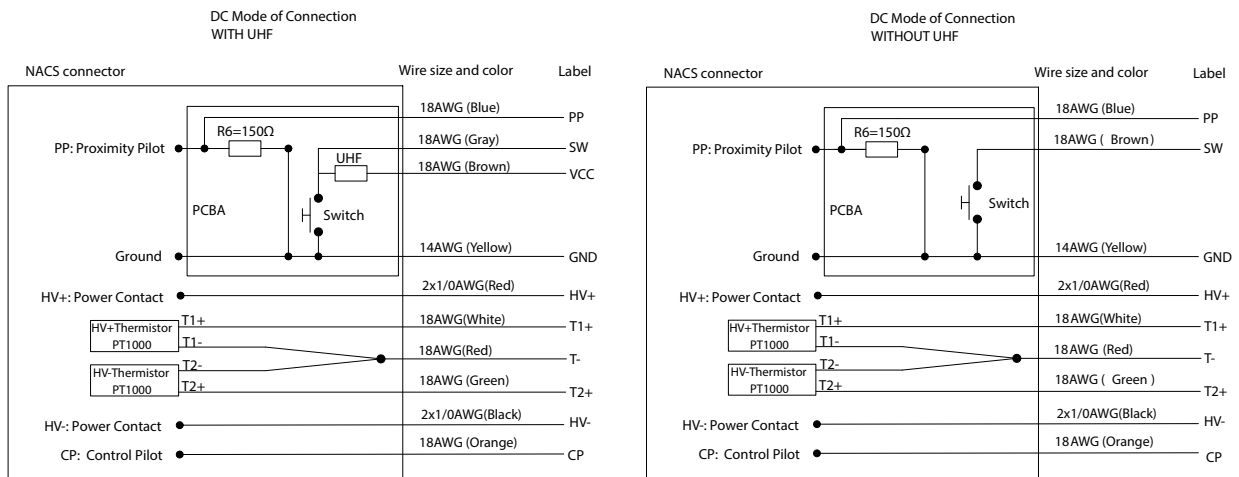
Compliant with:  
SAE J3400  
UL2251

MECHANICAL	
Mating cycles	> 20,000 cycles (unloaded)
Insertion / withdrawal force	< 100N
ELECTRICAL	
Rated current	200A, 250A, 375A, 600A
Rated voltage	1000V DC
ENVIRONMENTAL	
Protection degree	IP69 IP67
Ambient temperature	-40°C to 50°C -40°C to 40°C (for 375A)
MATERIAL	
Shell	Thermoplastic
Contact	Copper alloy
Inserts	Thermoplastic
Sealing gasket	Rubber or silicon rubber
Insulator inflammability	UL94V0

## NACS DC VEHICLE CONNECTOR DIMENSIONS



## NACS DC VEHICLE CONNECTOR - CIRCUIT DIAGRAMS



## NACS DC VEHICLE CONNECTOR - PART NUMBERS

	HVCO	N1M	X	XXA	X	LXXXX	X
--	------	-----	---	-----	---	-------	---

**NACS DC Vehicle Connector**

**PCBA:**

**B:** Electric circuit B

**C:** Electric circuit C

**Rated current DC:**

**80A:** 80A

**200A:** 200A

**250A:** 250A

**375A:** 375A

**Temperature sensor:**

**N:** NTC (Unit in mm)

**P:** PT1000 (Unit in mm)

**N/A:** No sensor

**Cable accessories:**

**XXXX:** Cable accessories or customer code

**UHF:**

**U:** Yes (315MHZ)

**N/A:** No

LXXXX: Cable length (unit in mm)

Liquid-cooled NACS 600A	Standard	UHF	Temperature sensor
HVCON2MB600APLXXXX	SAE J3400 Diagram 4	-	PT1000
HVCON2MB600APLXXXXU	SAE J3400 Diagram 4	315MHZ	PT1000
HVCON2MC600APLXXXX	SAE J3400 Diagram 3	-	PT1000

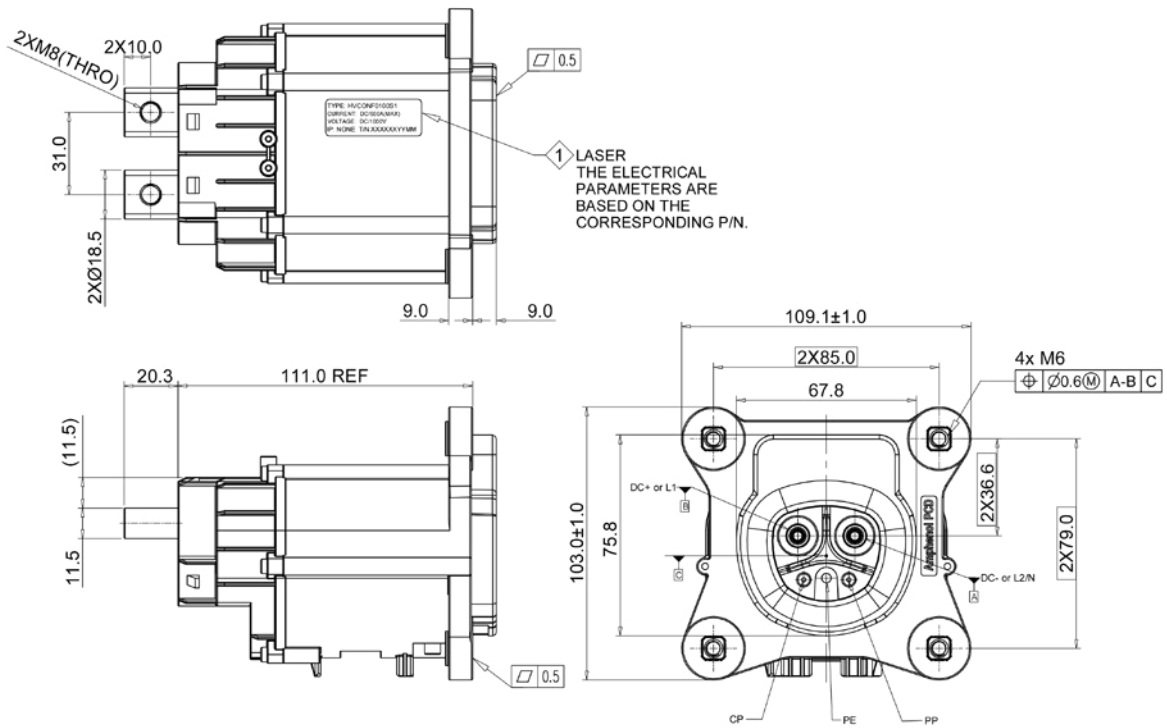


**KEY FEATURES:**

Compliant with:  
 IEC 62196-1  
 IEC 62196-2  
 IEC 62196-3  
 UL2251  
 SAE J1772

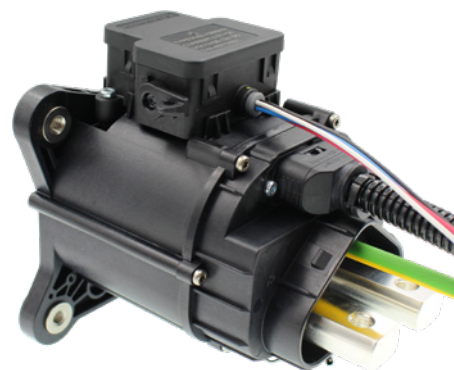
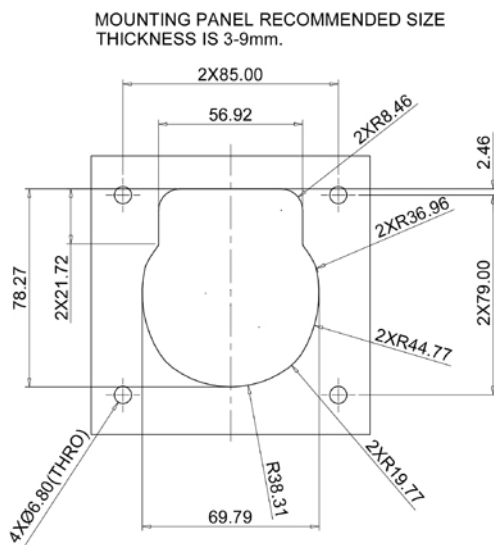
MECHANICAL	
Mating cycles	> 10,000 cycles (unloaded)
Insertion / withdrawal force	< 100N
ELECTRICAL	
Rated current	600A Max
Rated voltage	1000V DC
Temperature sensor	PT1000 The two power contacts DC+ and DC- are monitored by temperature-dependent resistor sensors
ENVIRONMENTAL	
Ambient temperature	-30°C to 50°C
MATERIAL	
Shell	Thermoplastic
Contact	Copper alloy
Inserts	Thermoplastic
Sealing gasket	Rubber or silicon rubber
Insulator inflammability	UL94V0

## NACS INLET BUSBAR VERSION | DIMENSIONS



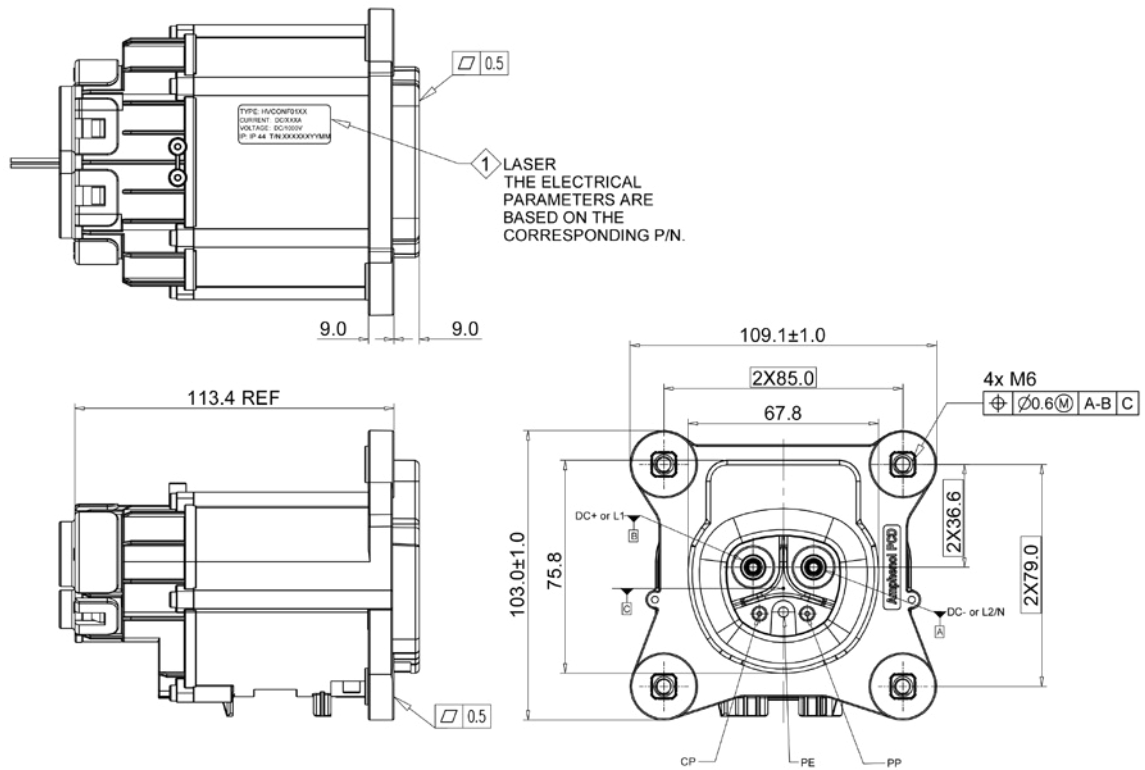
## MOUNTING PANEL

## PART NUMBER



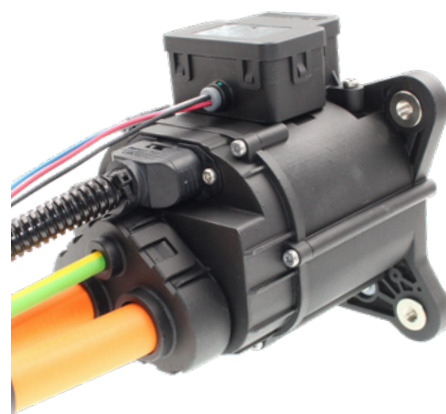
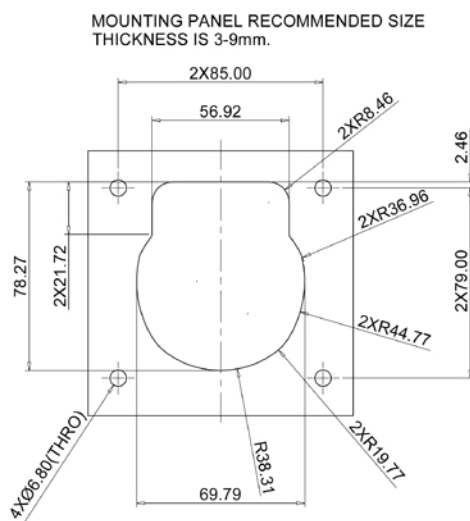
Part Number  
HVCONF0100S1

## NACS INLET CRIMPING VERSION | DIMENSIONS



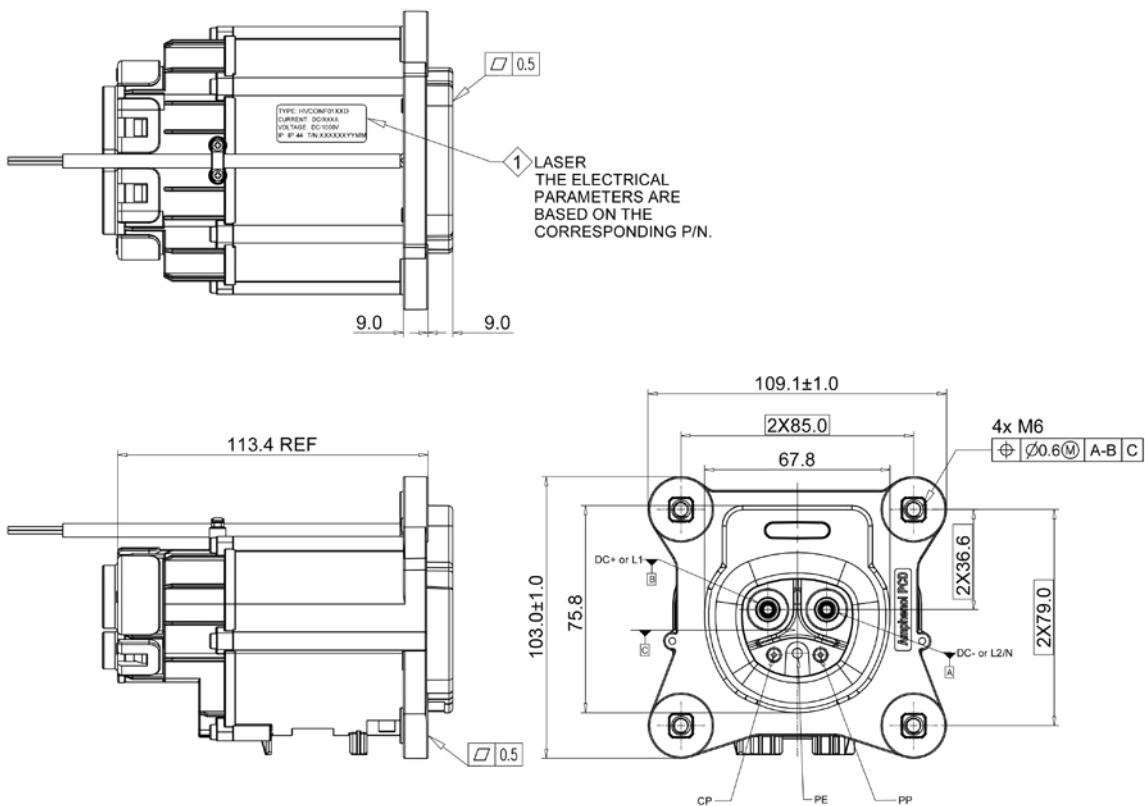
## MOUNTING PANEL

## PART NUMBER



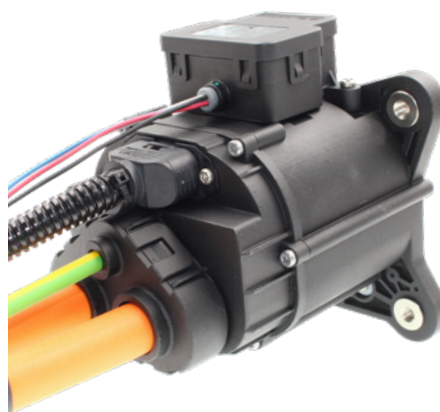
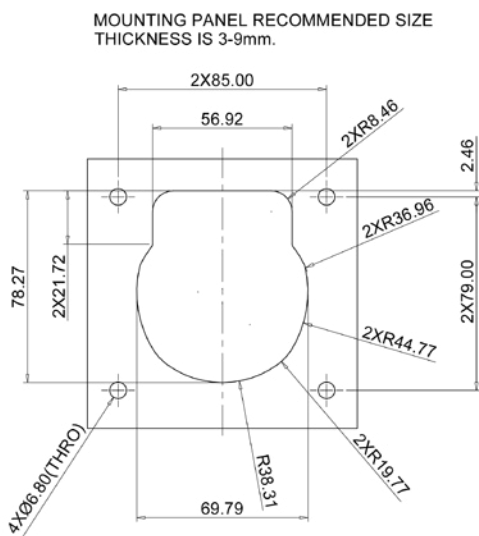
Part Number  
 HVCONF01XX

NACS INLET CRIMPING VERSION | WITH LED DIMENSIONS



MOUNTING PANEL

PART NUMBER



Part Number  
HVCONF01XXD



## EXCELMATE CC SAE COMBO - TECHNICAL CHARACTERISTICS

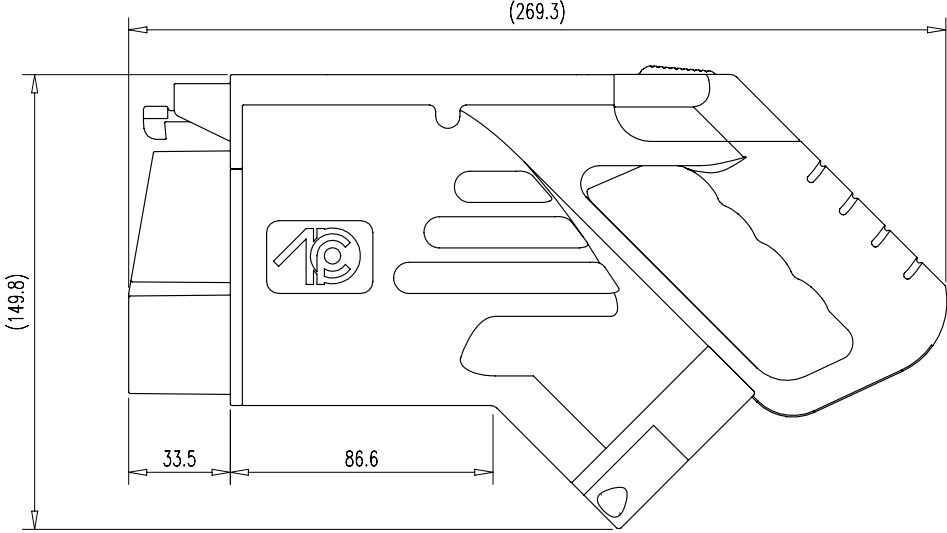
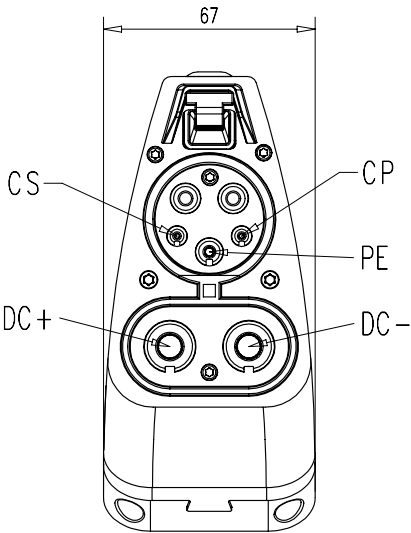


### KEY FEATURES:

Compliant with:  
SAE J1772  
IEC 62196-3  
UL2251

MECHANICAL	
Mating cycles	> 10,000 cycles (unloaded)
Insertion / withdrawal force	< 100N
ELECTRICAL	
Rated current	400A Max
Rated voltage	1000V DC
Temperature sensor	PT1000 The two power contacts DC+ and DC- are monitored by temperature-dependent resistor sensors
ENVIRONMENTAL	
Protection degree	Type 3S
Ambient temperature	-40°C to 55°C
MATERIAL	
Shell	Thermoplastic
Contact	Copper alloy
Inserts	Thermoplastic
Sealing gasket	Rubber or silicon rubber
Insulator inflammability	UL94V0

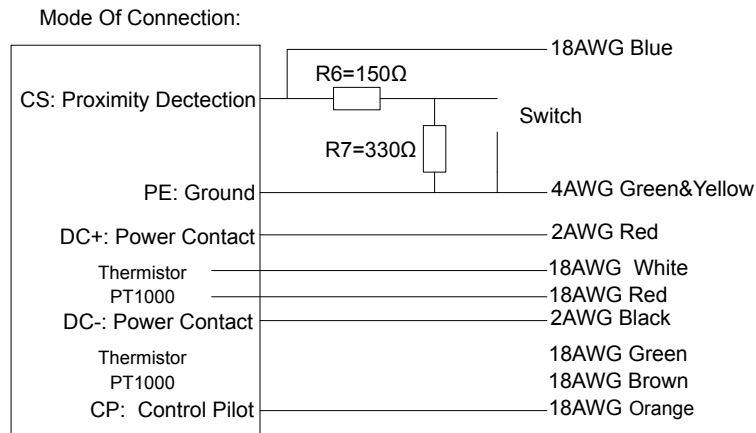
SAE COMBO VEHICLE CONNECTOR DIMENSIONS



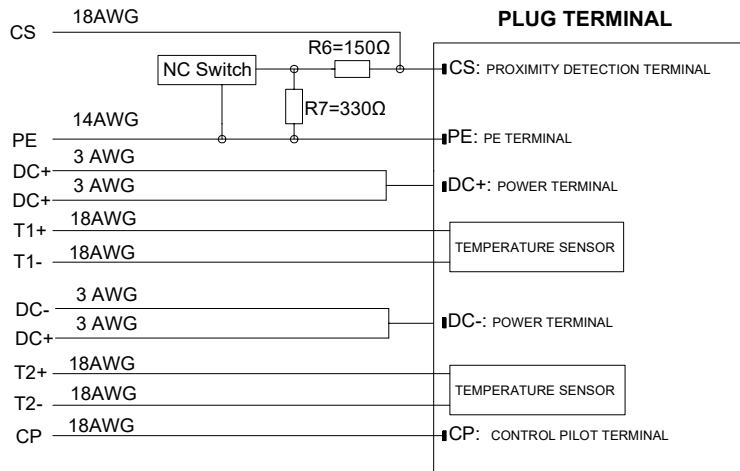


# SAE COMBO VEHICLE CONNECTOR - CIRCUIT DIAGRAMS

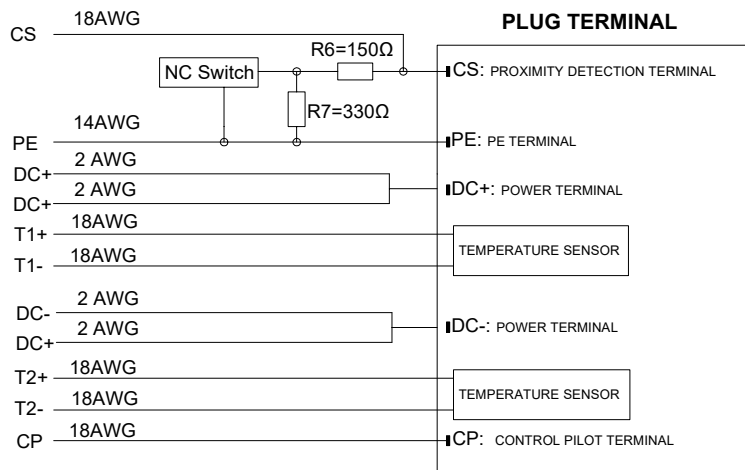
## 150A



## 200A

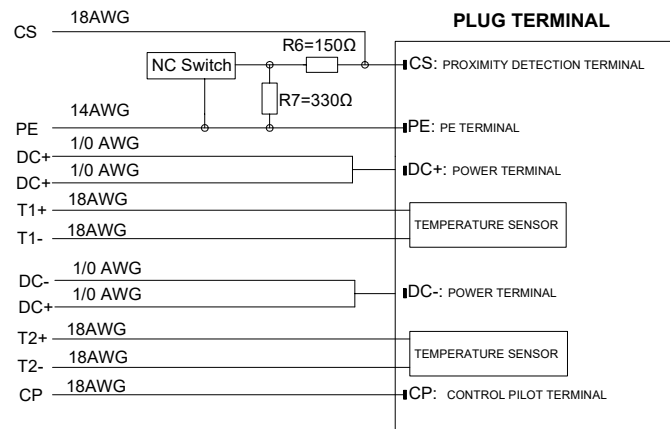


## 250A

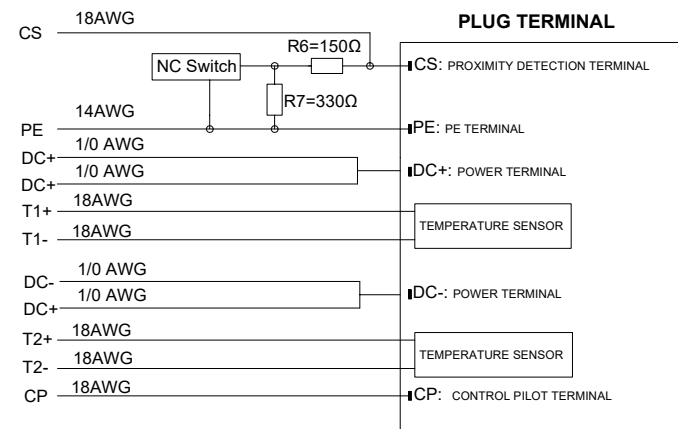


## SAE COMBO VEHICLE CONNECTOR - CIRCUIT DIAGRAMS

350A



400A



## HOW TO ORDER | SAE COMBO

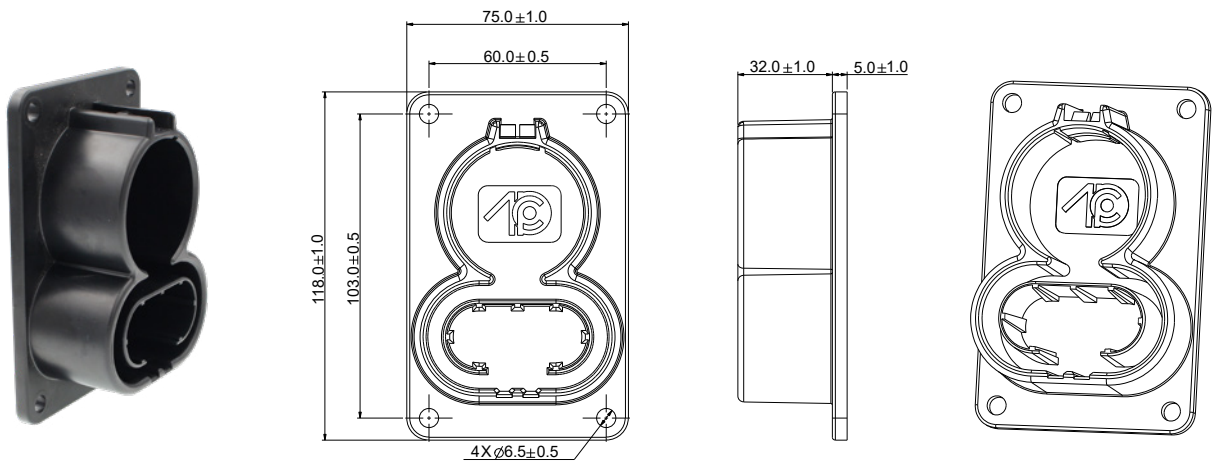
### SAE Combo Vehicle Connector

P/N	Rated current (DC)	DC cable size	PE cable size
HVCOSAEM150AML	150A	2 AWG	4 AWG
HVCOSAEM200AM2L	200A	2 x 3 AWG	14 AWG
HVCOSAEM250AML	250A	2 x 2 AWG	14 AWG
HVCOSAEM350AML	350A	2 x 1/0 AWG	14 AWG
HVCOSAEM400AML	400A	2 x 1/0 AWG	14 AWG

## HOLDER FOR PLUG

P/N: **C-P03BP00156**

(Connectors do not include, please order seperately)



## EXCEL|MATE CC SAE COMBO WALL-MOUNTING - TECHNICAL CHARACTERISTICS

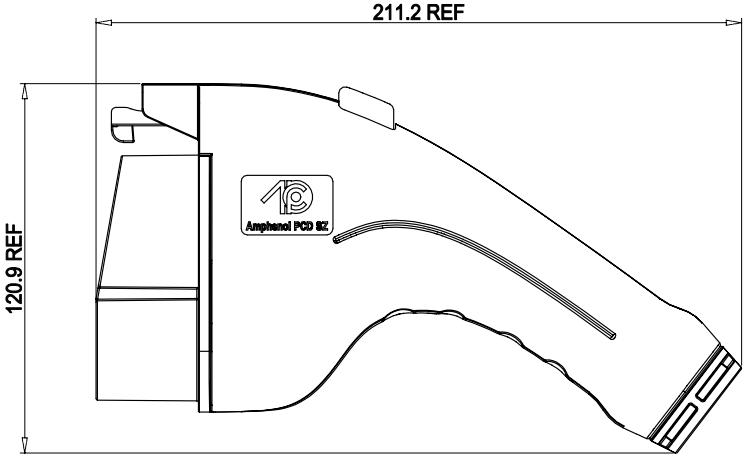
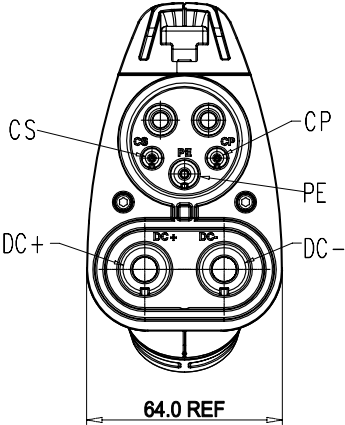


### KEY FEATURES:

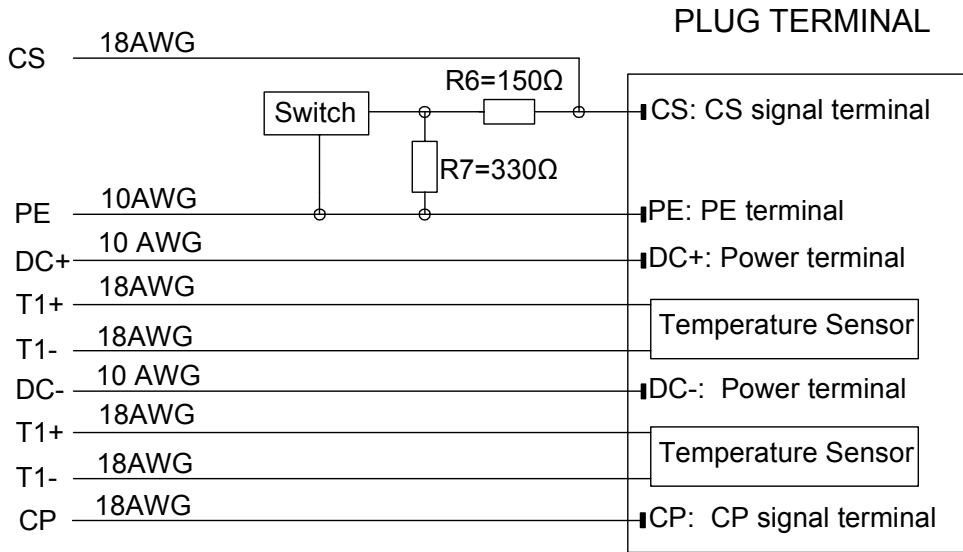
Compliant with:  
SAE J1772  
IEC 62196-3  
UL2251

MECHANICAL	
Mating cycles	> 10,000 cycles (unloaded)
Insertion / withdrawal force	< 100N
ELECTRICAL	
Rated current	40A, 65A, 80A
Rated voltage	1000V DC
Temperature sensor	PT1000 The two power contacts DC+ and DC- are monitored by temperature-dependent resistor sensors
ENVIRONMENTAL	
Protection degree	Type 3S IP67
Ambient temperature	-30°C to 50°C
MATERIAL	
Shell	Thermoplastic
Contact	Copper alloy
Inserts	Thermoplastic
Sealing gasket	Rubber or silicon rubber
Insulator inflammability	UL94V0

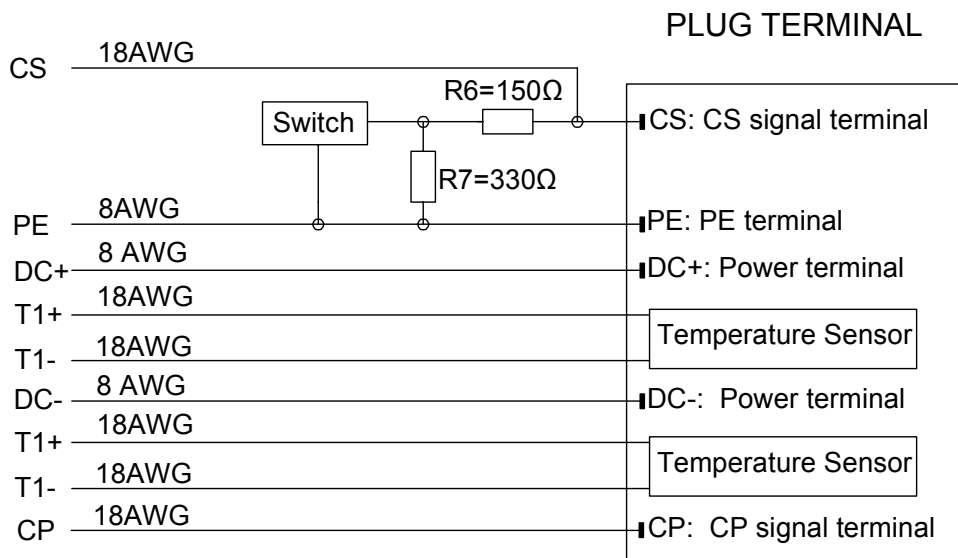
CC SAE COMBO WALL-MOUNTING VEHICLE CONNECTOR DIMENSIONS



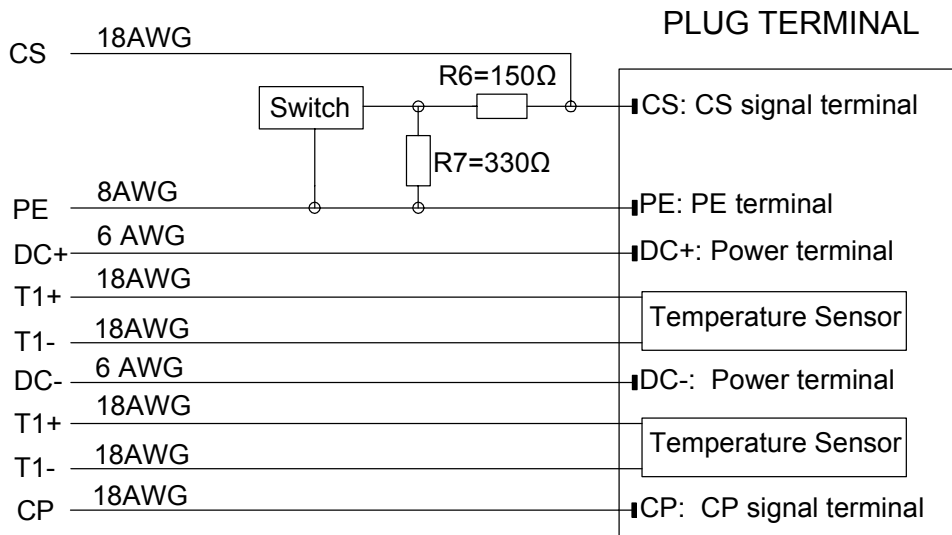
40A



65A



80A



## HOW TO ORDER | SAE COMBO WALL-MOUNTING

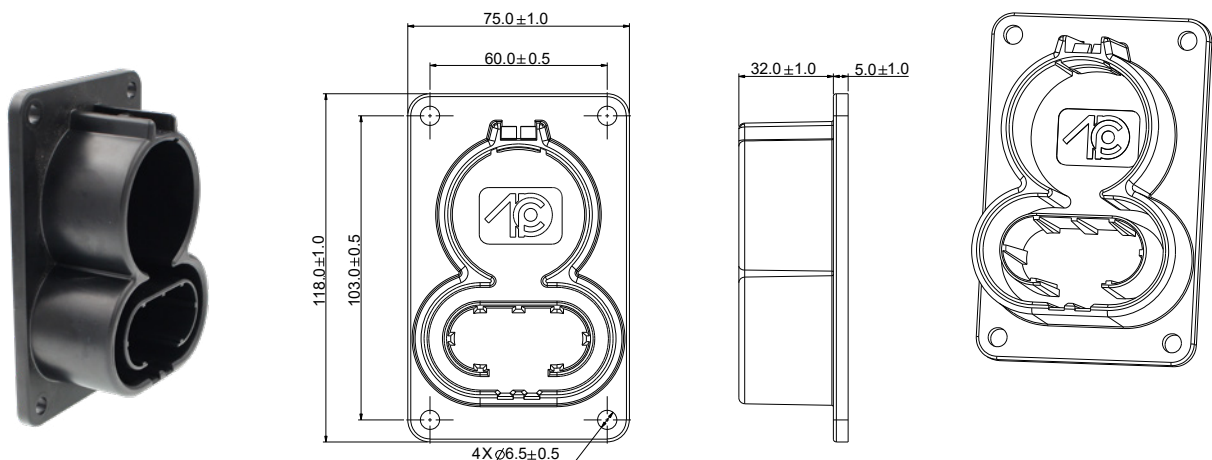
### SAE Combo Vehicle Connector

	HVCO	SAE	M	D	40A	LXXXX	XXXX
<b>SAE:</b> SAE Combo							
<b>Connector type:</b> <b>M:</b> Vehicle Connector							
<b>Connector version:</b> <b>D:</b> Mini DC Combo Gun							
<b>Rated current DC:</b> <b>40A:</b> 40A <b>65A:</b> 65A <b>80A:</b> 80A							
<b>Cable length:</b> <b>LXXXX:</b> Cable length (Unit in mm)							
<b>Cable accessories:</b> <b>XXXX:</b> Cable accessories or customer code							

## HOLDER FOR PLUG

P/N: **C-P03BP00156**

(Connectors do not include, please order seperately)





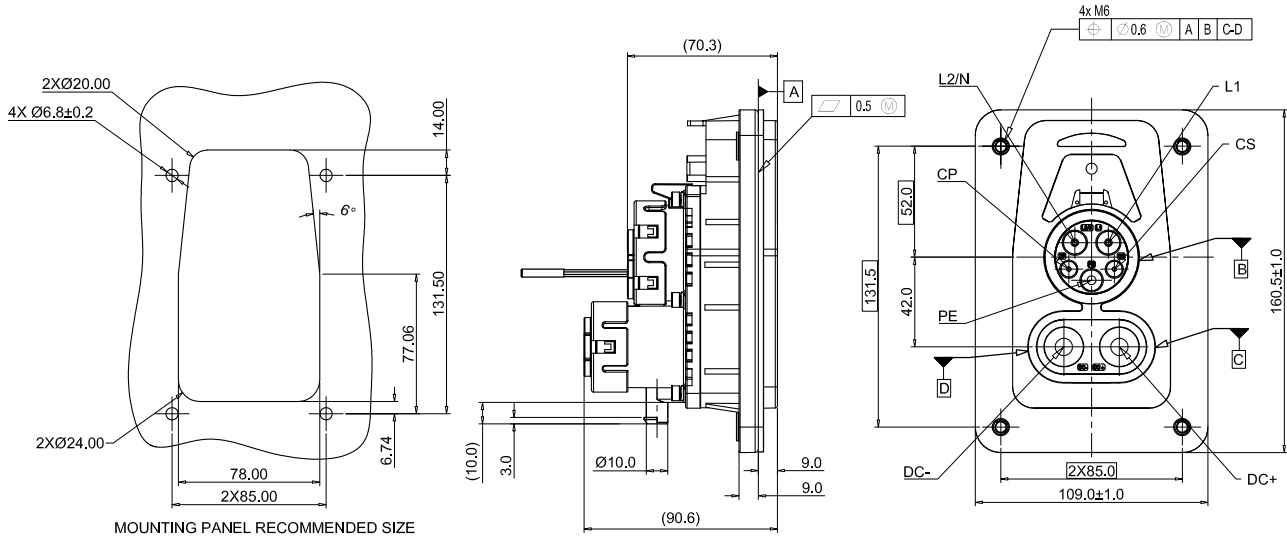
**KEY FEATURES:**

Compliant with:  
 IEC 62196-1  
 IEC 62196-2  
 IEC 62196-3  
 UL2251  
 SAE J1772

MECHANICAL	
Mating cycles	> 10,000 cycles (unloaded)
Insertion / withdrawal force	< 100N
ELECTRICAL	
Rated current	300A Max
Rated voltage	1000V DC
Temperature sensor	PT1000 The two power contacts DC+ and DC- are monitored by temperature-dependent resistor sensors
ENVIRONMENTAL	
Protection degree	IP44( plugged in), IP55 (road position), IP67 (inner area of inlet)
Ambient temperature	-30°C to 50°C
MATERIAL	
Shell	Thermoplastic
Contact	Copper alloy
Inserts	Thermoplastic
Sealing gasket	Rubber or silicon rubber
Insulator inflammability	UL94V0



## CCS1 VEHICLE INLET VERSION A | AC+DC DIMENSIONS



Rated voltage and current	Functions
240V   48A	L1
240V   48A	L2/N
-	PE (Protective Ground/Earth)
1000V   300A, 200A, 150A, 125A, 65A	DC+
1000V   300A, 200A, 150A, 125A, 65A	DC-
30V   2A	CP (Control pilot)
30V   2A	PP (Proximity)

## CCS1 Vehicle inlet AC + DC

### Socket-inlet



Part Number		
AC	DC	Part Number
240V / 48A	1000V / 200A	HVCOSF003
240V / 48A	1000V / 125A	HVCOSF005
240V / 48A	1000V / 65A	HVCOSF007
240V / 48A	1000V / 300A	HVCOSF009
240V / 48A	1000V / 150A	HVCOSF013

Compliant with IEC 62196-1/2/3, UL2251 and SAE J1772

Configuration:

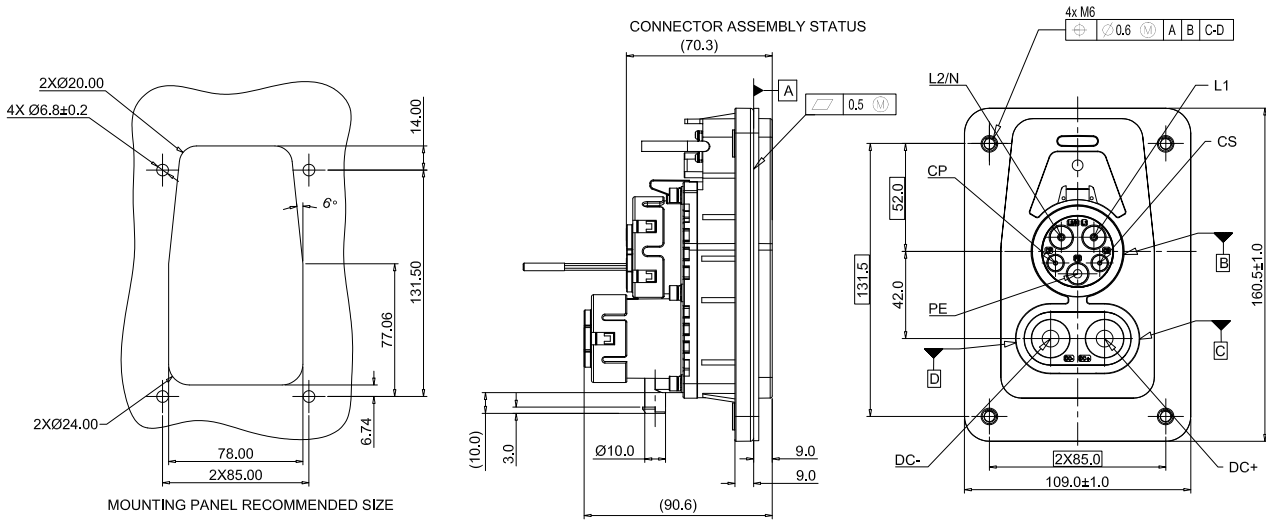
240V | 48A | 1-phase

1000V | 65A, 125A, 150A, 200A or 300A | 3-phase

Electric lock available

12 o'clock

## CCS1 VEHICLE INLET VERSION A | AC+DC WITH LED DIMENSIONS



Rated voltage and current	Functions
240V   48A	L1
240V   48A	L2/N
-	PE (Protective Ground/Earth)
1000V   300A, 200A, 150A, 125A, 65A	DC+
1000V   300A, 200A, 150A, 125A, 65A	DC-
30V   2A	CP (Control pilot)
30V   2A	PP (Proximity)

## CCS1 Vehicle inlet AC + DC

### Socket-inlet



Part Number		
AC	DC	Part Number
240V / 48A	1000V / 200A	HVCOSF003D
240V / 48A	1000V / 125A	HVCOSF005D
240V / 48A	1000V / 65A	HVCOSF007D
240V / 48A	1000V / 300A	HVCOSF009D
240V / 48A	1000V / 150A	HVCOSF013D

Compliant with IEC 62196-1/2/3, UL2251 and SAE J1772

Configuration:

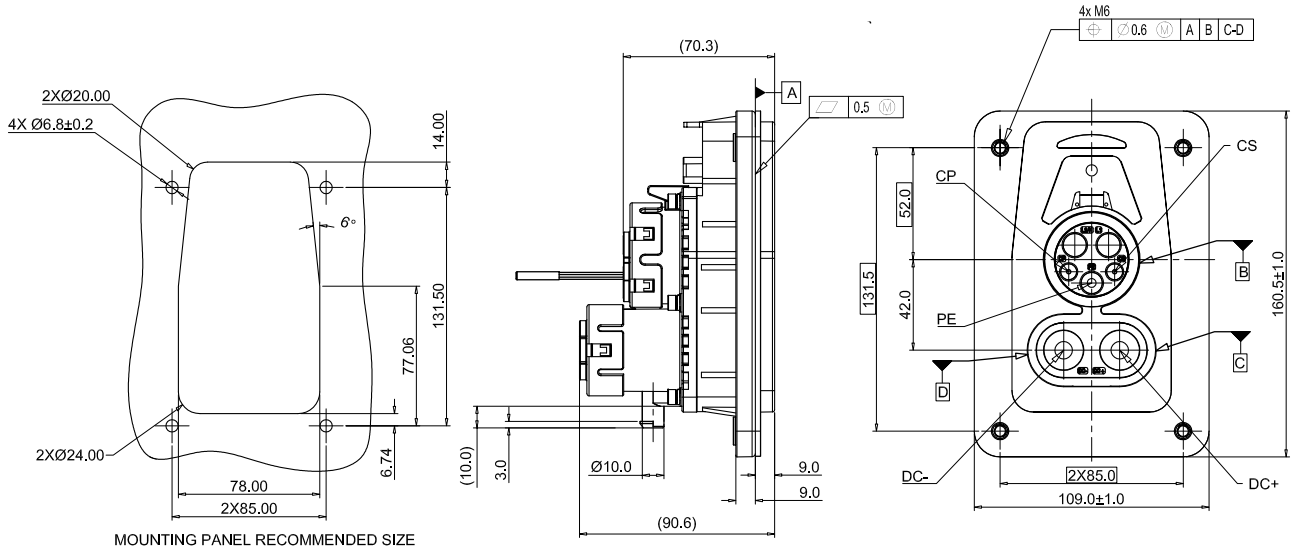
240V | 48A | 1-phase

1000V | 65A, 125A, 150A, 200A or 300A | 3-phase

Electric lock available

12 o'clock

## CCS1 VEHICLE INLET VERSION A | DC DIMENSIONS



Rated voltage and current	Functions
-	PE (Protective Ground/Earth)
1000V   300A, 200A, 150A, 125A, 65A	DC+
1000V   300A, 200A, 150A, 125A, 65A	DC-
30V   2A	CP (Control pilot)
30V   2A	PP (Proximity)

## CCS1 Vehicle inlet DC

### Socket-inlet



Part Number	
DC	Part Number
1000V / 200A	HVCOSF004
1000V / 125A	HVCOSF006
1000V / 65A	HVCOSF008
1000V / 300A	HVCOSF010
1000V / 150A	HVCOSF014

Compliant with IEC 62196-1/2/3, UL2251 and SAE J1772

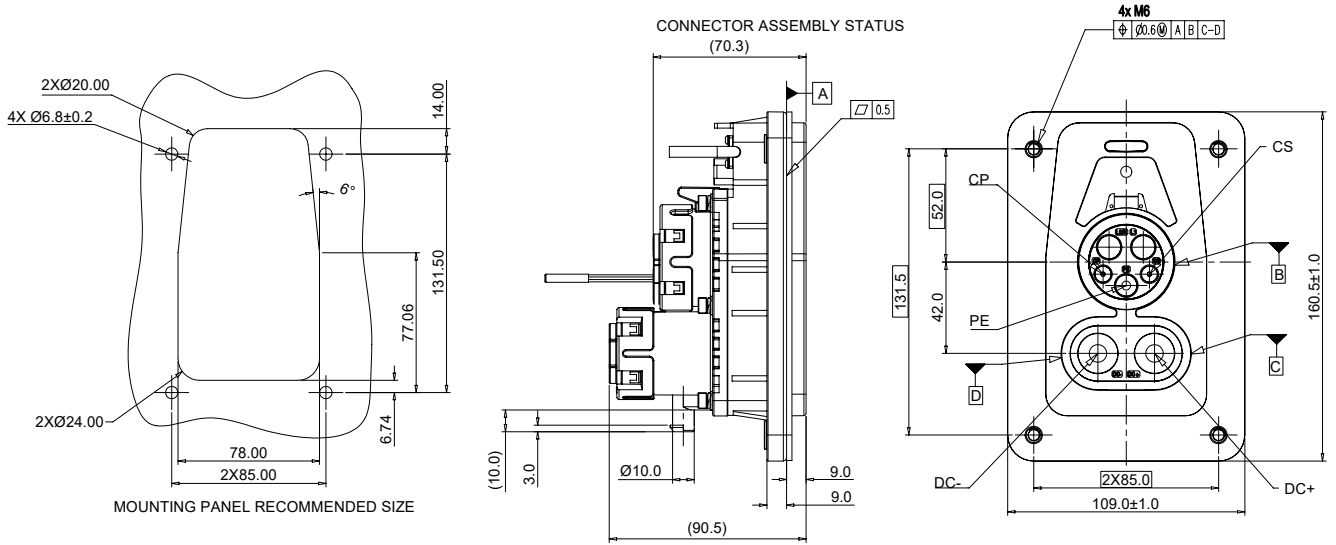
Configuration:

1000V | 65A, 125A, 150A, 200A or 300A | 3-phase

Electric lock available

12 o'clock

## CCS1 VEHICLE INLET VERSION A | DC WITH LED DIMENSIONS



Rated voltage and current	Functions
-	PE (Protective Ground/Earth)
1000V   300A, 200A, 150A, 125A, 65A	DC+
1000V   300A, 200A, 150A, 125A, 65A	DC-
30V   2A	CP (Control pilot)
30V   2A	PP (Proximity)

### CCS1 Vehicle inlet DC

#### Socket-inlet



Part Number	
DC	Part Number
1000V / 200A	HVCOSF004D
1000V / 125A	HVCOSF006D
1000V / 65A	HVCOSF008D
1000V / 300A	HVCOSF010D
1000V / 150A	HVCOSF014D

Compliant with IEC 62196-1/2/3, UL2251 and SAE J1772

Configuration:

1000V | 65A, 125A, 150A, 200A or 300A | 3-phase

Electric lock available

12 o'clock

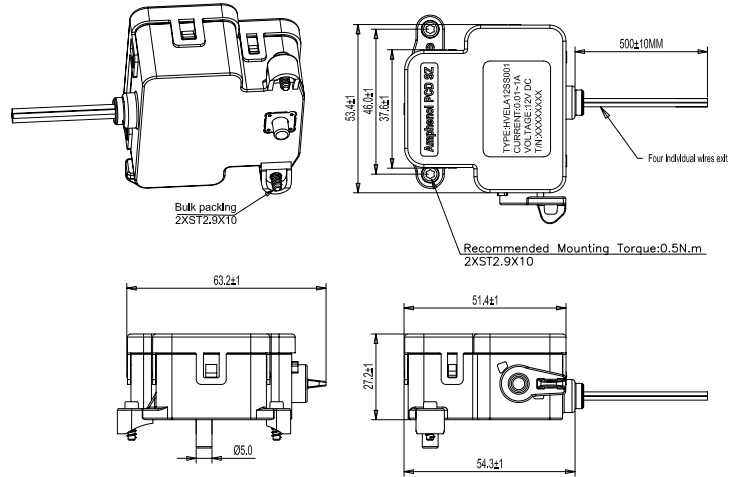
## LOCKING ACTUATOR

### Electric lock | AMPHENOL PCD SHENZHEN (12V)

4-wire solution is available for 12V



P/N (12V): **HVELA12SS001**



TYPE	RED	BLACK	WHITE	BLUE
UNLOCKING	+	-	SIGNAL( $R_U=1K\Omega$ )	
LOCKING	-	+	SIGNAL( $R_L=11K\Omega$ )	

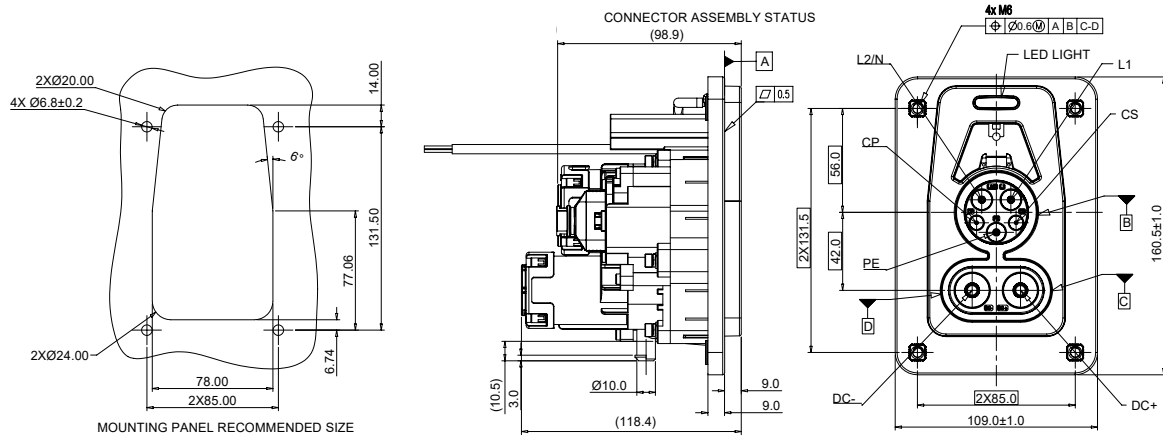


**KEY FEATURES:**

Compliant with:  
 IEC 62196-1  
 IEC 62196-2  
 IEC 62196-3  
 UL2251  
 SAE J1772

MECHANICAL	
Mating cycles	> 10,000 cycles (unloaded)
Insertion / withdrawal force	< 100N
ELECTRICAL	
Rated current	80A AC Max 300A to 500A DC (peak:800A)
Rated voltage	240V AC 1000V DC
Temperature sensor	PT1000 The two power contacts DC+ and DC- are monitored by temperature-dependent resistor sensors
ENVIRONMENTAL	
Protection degree	IP44( plugged in), IP55 (road position), IP67 (inner area of inlet)
Ambient temperature	-30°C to 50°C
MATERIAL	
Shell	Thermoplastic
Contact	Copper alloy
Inserts	Thermoplastic
Sealing gasket	Rubber or silicon rubber
Insulator inflammability	UL94V0

## CCS1 VEHICLE INLET VERSION B | AC+DC DIMENSIONS



Rated voltage and current	Functions
240V   80A, 48A	L1
240V   80A, 48A	L2/N
-	PE (Protective Ground/Earth)
1000V   500A, 400A, 300A	DC+
1000V   500A, 400A, 300A	DC-
30V   2A	CP (Control pilot)
30V   2A	PP (Proximity)

## CCS1 Vehicle inlet AC + DC

### Socket-inlet



Part Number		
AC	DC	Part Number
240V / 80A	1000V / 500A	HVCOSF040D
240V / 80A	1000V / 400A	HVCOSF041D
240V / 80A	1000V / 300A	HVCOSF042D
240V / 48A	1000V / 500A	HVCOSF046D
240V / 48A	1000V / 400A	HVCOSF047D
240V / 48A	1000V / 300A	HVCOSF048D

Compliant with IEC 62196-1/2/3, UL2251 and SAE J1772

Configuration:

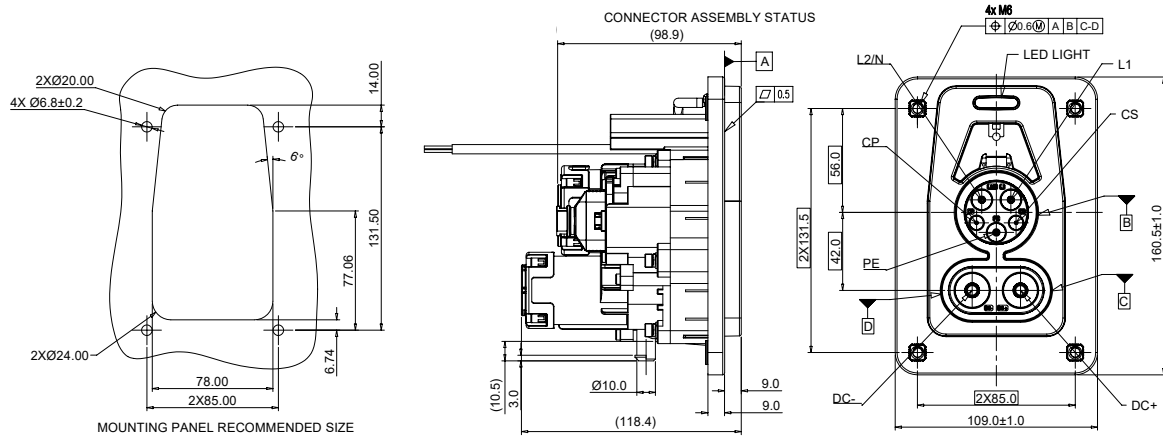
240V | 48A or 80A | 1-phase

1000V | 300A, 400A or 500A

Electric lock available

12 o'clock

CCS1 VEHICLE INLET VERSION B | DC WITH LED DIMENSIONS



Rated voltage and current	Functions
-	PE (Protective Ground/Earth)
1000V   500A, 400A, 300A	DC+
1000V   500A, 400A, 300A	DC-
30V   2A	CP (Control pilot)
30V   2A	PP (Proximity)

CCS1 Vehicle inlet DC

Socket-inlet



Part Number	
DC	Part Number
1000V / 500A	HVCOSF043D
1000V / 400A	HVCOSF044D
1000V / 300A	HVCOSF045D

Compliant with IEC 62196-1/2/3, UL2251 and SAE J1772

Configuration:  
1000V | 300A, 400A or 500A

Electric lock available

12 o'clock



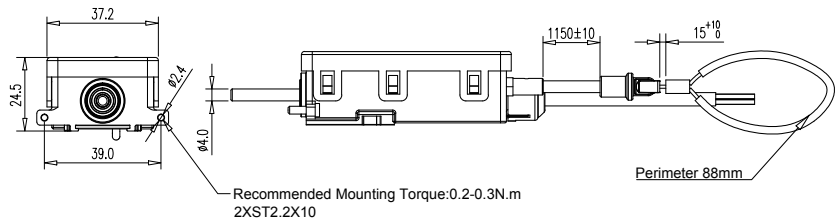
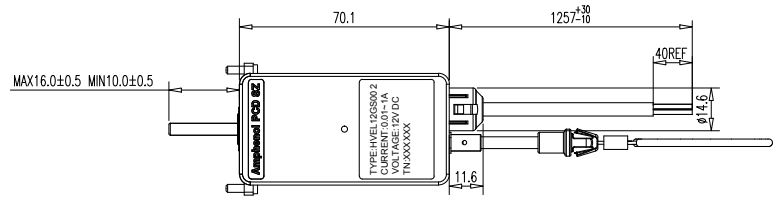
## LOCKING ACTUATORS

### Electric lock | AMPHENOL PCD SHENZHEN (12V)

4-wire solution is available for 12V



P/N (12V): **HVEL12GS002**



TYPE	RED	BLACK	WHITE	BLUE
UNLOCKING	+	-	SIGNAL ( $R_U = +\infty \Omega$ )	
LOCKING	-	+	SIGNAL ( $R_L = 0 \Omega$ )	

# CABLE HARNESS



Accessory		Compatible connectors				Harness
SIGNAL	E-lock	NEVDCA12VELOCKL0500;NEVDCA24VELOCKL0500				
	LED	ATM04-12PA				
	Signal					
A	Wire Range	Compatible connectors				Harness
32A	2 x 6mm <sup>2</sup>	HVSL362	EX402/EX492	HVSL630	HVG492	(2 to 5)
	3 x 6mm <sup>2</sup>	HVSL633	EX403	HVSL364		
	4 x 6mm <sup>2</sup>	HVSL364				
	5 x 6mm <sup>2</sup>	HVSL365	HVSL635B	HVSL366		
63A	2 x 16mm <sup>2</sup>	HVSL362	HVSL600	HVBIR6		
	3 x 16mm <sup>2</sup>	HVSL364	HVSL600	HVBIR6		
	4 x 16mm <sup>2</sup>	HVSL364				
	5 x 16mm <sup>2</sup>	N/A				
DC	125A	HVSLP800	HVSL800/8003	HVBIR8	HVPT	
	200A	HVSLP1000 HVSL1000	HVPT/HVPTM	HVBIR10 CHD10	CHD14	
	300A	HVSL1200	HVSL1400		CHD14	



Accessory		Compatible connectors				Harness
SIGNAL	E-lock	NEVDCA12VELOCKL0500;NEVDCA24VELOCKL0500				
	LED	P08B002343/4/5				
	Signal	ATM04-12PA				
A	Wire Range	Compatible connectors				Harness
32A	2 x 6mm <sup>2</sup>	HVSL362	EX402/EX492	HVSL630	HVG492	(2 to 5)
	3 x 6mm <sup>2</sup>	HVSL633	EX403	HVSL364		
	4 x 6mm <sup>2</sup>	HVSL364				
	5 x 6mm <sup>2</sup>	HVSL365	HVSL635B	HVSL366		
63A	2 x 16mm <sup>2</sup>	HVSL362	HVSL600	HVBIR6		
	3 x 16mm <sup>2</sup>	HVSL364	HVSL600	HVBIR6		
	4 x 16mm <sup>2</sup>	HVSL364				
	5 x 16mm <sup>2</sup>	N/A				
300A	2 x 95mm <sup>2</sup>	HVSL1200	HVSL1400	CHD14	HVPTM	
400A	2 x 120mm <sup>2</sup>			CHD14		
500A	2 x 150mm <sup>2</sup>	HVPTM		CHD14		



Accessory		Compatible connectors				Harness
SIGNAL	E-lock	NEVDCA12VELOCKL0500;NEVDCA24VELOCKL0500				
	LED	ATM04-12PA				
	Signal					
A	Wire Range	Compatible connectors				Harness
32A	2 x 6mm <sup>2</sup>	HVSL362	EX402/EX492	HVSL630	HVG492	(2 to 5)
	3 x 6mm <sup>2</sup>	HVSL633	EX403	HVSL364		
	4 x 6mm <sup>2</sup>	HVSL364				
	5 x 6mm <sup>2</sup>	HVSL365	HVSL635B	HVSL366		
63A	2 x 16mm <sup>2</sup>	HVSL362	HVSL600	HVBIR6		
	3 x 16mm <sup>2</sup>	HVSL364	HVSL600	HVBIR6		
	4 x 16mm <sup>2</sup>	HVSL364				
	5 x 16mm <sup>2</sup>	N/A				
DC	150A	HVSLP800	HVSL800/8003	HVBIR8	CHD10	
	200A	HVSLP1000 HVSL1000	HVPT/HVPTM	HVBIR10 CHD10	CHD14	
	250A	HVSL1200	HVSL1400		CHD14	
	300A	HVSLP1200			CHD14	

# CABLE HARNESS

		Accessory	Compatible connectors		Harness			
SIGNAL		LED	N/A					
		E-lock		NEVDCA12VELOCKL0500				
		Signal				ATM04-6P		
AC	32A	A	Wire Range	Compatible connectors		 (2 to 5)		
			2 x 6mm <sup>2</sup>	HVSL362	EX402/EX492		HVSL630	HVG492
			3 x 6mm <sup>2</sup>	HVSL633	EX403		HVSL364	
			4 x 6mm <sup>2</sup>	HVSL364				
		5 x 6mm <sup>2</sup>	HVSL365	HVSL365B	HVSL366			
	16A 20A		2 x 2.5mm <sup>2</sup>	HVSL282	EX402			
			3 x 2.5mm <sup>2</sup>	HVSL280	EX403		HVSL633	
			4 x 2.5mm <sup>2</sup>	HVSL364	HVG404			
			5 x 2.5mm <sup>2</sup>	HVSL365	HVSL365B		HVSL366	
				HVSL365	HVSL365B		HVSL366	



		Accessory	Compatible connectors		Harness				
SIGNAL		E-lock	HVELA12SS001	HVELA24SS001					
		LED	ATM04-12PA						
		Signal				ATM04-12PA			
AC	48A	A	Wire Range	Compatible connectors		 (2 to 3)			
			2 x 10mm <sup>2</sup>	HVSL362	HEV060		EX492		
		3 x 10mm <sup>2</sup>	HVSL364						
	125A		2 x 50mm <sup>2</sup>	HVSLP800	HVSL800/8003		HVBIR8	HVPT	
		200A		2 x 70mm <sup>2</sup>	HVSLP1000		HVPT/HVPTM	HVBIR10	CHD14
				300A	2 x 95mm <sup>2</sup>		HVSL1200	HVSL1400	CHD14



		Accessory	Compatible connectors		Harness			
SIGNAL		E-lock	HVEL12GS002	HVEL24GS002				
		LED	ATM04-12PA					
		Signal	P08B002343/4/5			ATM04-12PA		
AC	48A	A	Wire Range	Compatible connectors		 (2 to 3)		
			2 x 10mm <sup>2</sup>	HVSL362	HEV060		EX492	
		3 x 10mm <sup>2</sup>	HVSL364					
	80A		2 x 25mm <sup>2</sup>	HVSLP800	HVSL800/8003		HVSL600	HVBIR6
			3 x 25mm <sup>2</sup>	HVSL800	HVSL600		HVBIR6	
	300A 400A 500A		2 x 95mm <sup>2</sup>	HVSL1200	HVSL1400		CHD14	HVPTM
			2 x 120mm <sup>2</sup>				CHD14	HVPTM
			2 x 150mm <sup>2</sup>	HVPTM			CHD14	CHD14



# CABLE HARNESS



Accessory		Compatible connectors				Harness
E-lock		HVSLA12SS001     HVSLA24SS001				
LED (optional)		P08B002343/4/5     ATM04-12PA				
Signal						
A	Wire Range	Compatible connectors				Harness
32A	2 x 6mm <sup>2</sup>	HVSL362	EX402/EX492	HVSL630		(2 to 3)
	3 x 6mm <sup>2</sup>	HVSL633	EX403	HVSL364		
48A	2 x 10mm <sup>2</sup>	HVSL362	EX492			
	3 x 10mm <sup>2</sup>	HVSL364				
63A	2 x 16mm <sup>2</sup>	HVSL362	HVSL5600			
	3 x 16mm <sup>2</sup>	HVSL364	HVSL5600			
80A	2 x 25mm <sup>2</sup>	HVSLP800	HVSL5600	HVSL5800	HVBIR6	
	3 x 25mm <sup>2</sup>	HVSL800	HVSL5600		HVBIR6	
125A	2 x 50mm <sup>2</sup>	HVSLP800	HVSL800/8003	HVBIR8	HVPT	(2)
200A	2 x 70mm <sup>2</sup>	HVSLP1000 HVSL1000	HVSL1200 HVSLP1200	CHD10 HVBIR10	CHD14	
300A	2 x 95mm <sup>2</sup>	HVSL1200 HVSLP1200	HVSL1400		CHD14	



SIGNAL  
AC

Accessory		Compatible connectors				Harness
E-lock		HVSL12GS002S2				
Signal		P08B002343/4/5     ATM04-12PA				
A	Wire Range	Compatible connectors				Harness
16A	2 x 2.5mm <sup>2</sup>	HVSL282	EX402			(2 to 3)
	3 x 2.5mm <sup>2</sup>	HVSL280	EX403	HVSL633	HVSL364	
32A	2 x 6mm <sup>2</sup>	HVSL362	EX402/EX492	HVSL630		
	3 x 6mm <sup>2</sup>	HVSL633	EX403	HVSL364		
48A	2 x 10mm <sup>2</sup>	HVSL362	EX492			
	3 x 10mm <sup>2</sup>	HVSL364				
63A	2 x 16mm <sup>2</sup>	HVSL362	HVSL5600			
	3 x 16mm <sup>2</sup>	HVSL364	HVSL5600			
80A	2 x 25mm <sup>2</sup>	HVSLP800	HVSL5600	HVSL5800	HVBIR6	
	3 x 25mm <sup>2</sup>	HVSL800	HVSL5600		HVBIR6	



## CABLE HARNESS



HVCONF0100S1



NACS Inlet



HVCONF01XX (D)

Accessory		Compatible connectors		Harness
E-lock		HVEL12NS001		
Signal		P08B002347 5POS		
A	Wire Range	Compatible connectors		Harness
200A	2 x 50mm <sup>2</sup>	HVSLP800                      HVSL800/8003                      HVBIR8                      CHD10                      HVPT		
250A	2 x 70mm <sup>2</sup>	HVSLP1000                      HVSL1000                      HVPT/HVPTM                      HVBIR10                      CHD10                      CHD14		
350A	2 x 95mm <sup>2</sup>	HVSL1200                      HVSL1400                      CHD14		

SIGNAL

Accessory		Compatible connectors		Harness
E-lock		N/A		
Signal		P08B002343/4/5                      ATM04-12PA		
A	Wire Range	Compatible connectors		Harness
200A	2 x 70mm <sup>2</sup>	CHD14/CHD10                      HVSLP1000                      HVSL1000                      HVBIR10                      HVPT/HVPTM		(2)
300A	2 x 95mm <sup>2</sup>	CHD14                      HVPTM                      HVSL1400                      HVSL1200		
400A	2 x 120mm <sup>2</sup>	CHD14                      HVPTM                      HVSL1400		
500A	2 x 150mm <sup>2</sup>	CHD14                      HVPTM		

GB/T inlet DC



HVCOGF01XX

SIGNAL

Accessory		Compatible connectors		Harness	
LED		N/A			
E-lock		NEVDCA12VELOCKL0500HS1                      ATM04-6P			
Signal					
A	P/N	Compatible Part Numbers and Terminals		Harness	
32A Gen 2	HVCOSFS Shutter	3-Phase	HVCOSFS706		
		1-Phase	HVCOSFS506		
	HVCOIFS	3-Phase	HVCOIFS706		
		1-Phase	HVCOIFS506		
32A Gen 3 Flange lowered	HVCOSLFS Shutter	3-Phase	HVCOSLFS706		
		1-Phase	HVCOSLFS506		
	HVCOILFS	3-Phase	HVCOILFS706		
		1-Phase	HVCOILFS706		

Socket-outlet Type 2



AC

Amphenol PCD Shenzhen

Building C  
Dagang Industrial Zone  
Guangming District  
Shenzhen 518132  
China

Tel.: +86 755-8173-8000  
Email: [inquiry@amphenolpcd.com.cn](mailto:inquiry@amphenolpcd.com.cn)

[www.amphenolpcd.com.cn](http://www.amphenolpcd.com.cn)

Notes:

Amphenol PCD Shenzhen has made every effort to ensure that the information contained in this catalog is accurate at the time of publication. Specifications or information stated in this publication are subject to change without notice.

Amphenol PCD Shenzhen reserves the right to clarify this catalog.