

EX 402B


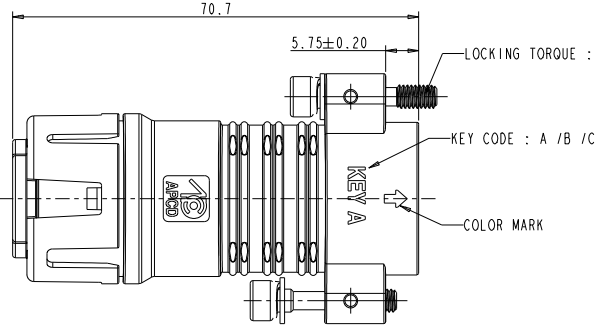
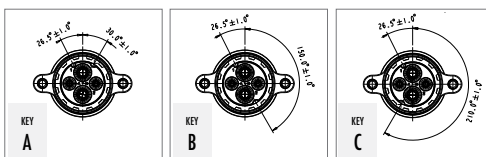
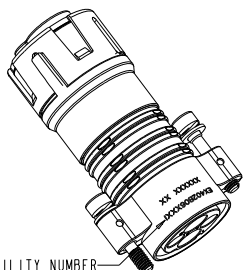
Metal housing: grey color
Contacts: copper alloy, silver plating

Specifications

Current rate (2.5mm ² shield cable):	23A@ ambient temperature 70°C
Current rate (4mm ² shield cable):	32A@ ambient temperature 70°C
Rating voltage:	1000V DC
Operating temperature:	-40 to 125°C
Dielectric withstanding voltage:	3000V AC (RMS)
Insulation resistance:	200MΩ Min.


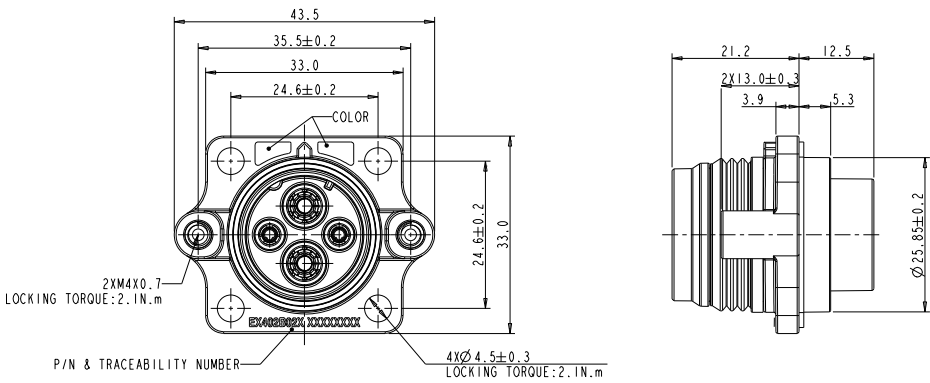
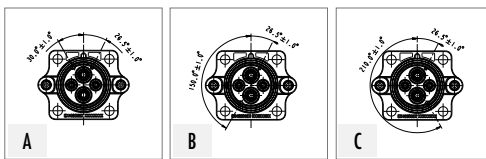
Durability:	50 cycles
Shielding:	Yes
Waterproof (mated):	IP68, IP6K9K
Touch-proof:	IP2XB
Salt Spray:	500H
Ambient temperature:	-40 to 70°C
ROHS:	Yes

Plug

EX402B	06	X	X	XX	I
A: coding A (Red)	0: without HVIL	2: wire OD = 4.7 +0/-0.5mm			
B: coding B (Black)	1: with shorted	4: wire OD = 5.8 +0/-0.5mm			
C: coding C (Yellow)	2: with HVIL				

Receptacle

EX402B	02	X
A: coding A (Red color)		
B: coding B (Black color)		
C: coding C (Yellow color)		

EX 403B

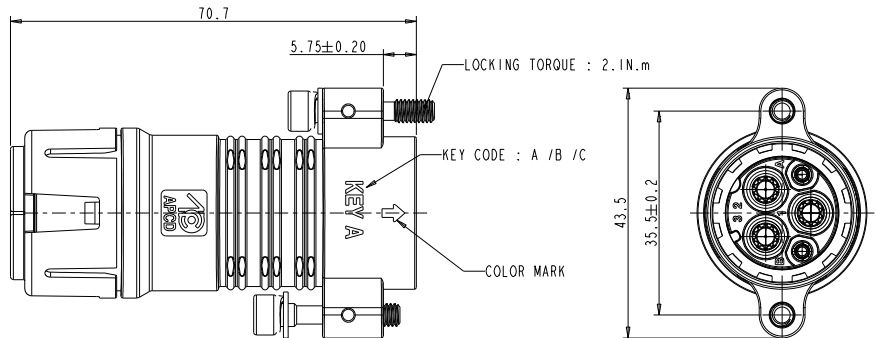
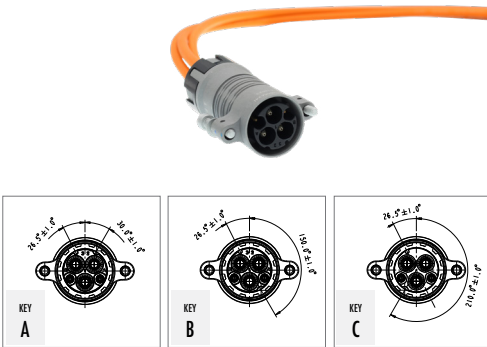
Metal housing: grey color
Contacts: copper alloy, silver plating

Specifications

Current rate (2.5mm ² shield cable):	23A@ ambient temperature 70°C
Current rate (4mm ² shield cable):	32A@ ambient temperature 70°C
Rating voltage:	1000V DC
Operating temperature:	-40 to 125°C
Dielectric withstanding voltage:	3000V AC (RMS)
Insulation resistance:	200MΩ Min.

Durability:	50 cycles
Shielding:	Yes
Waterproof (mated):	IP68, IP6K9K
Touch-proof:	IP2XB
Salt Spray:	500H
Ambient temperature:	-40 to 70°C
ROHS:	Yes

Plug

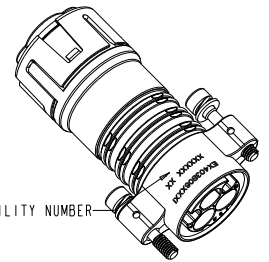
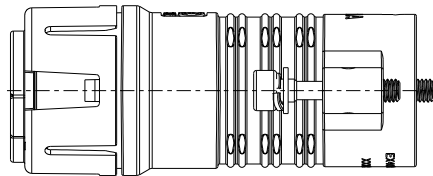


EX403B	06	X	X	XX	I
--------	----	---	---	----	---

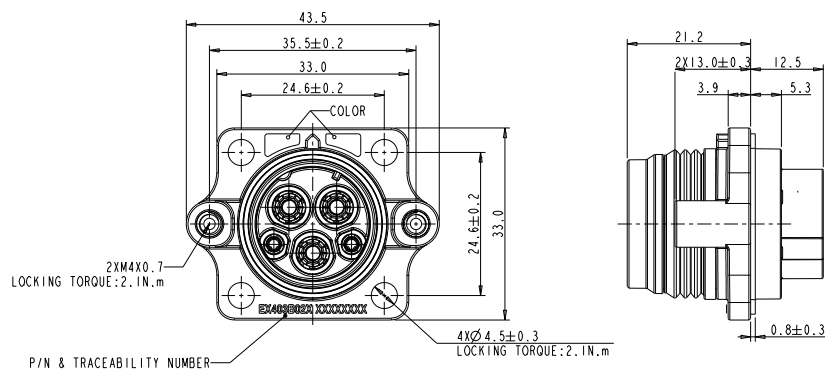
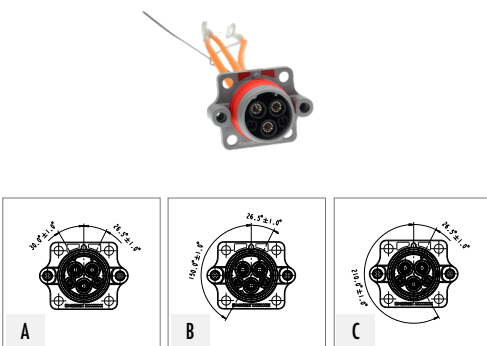
A: coding A (Red)
B: coding B (Black)
C: coding C (Yellow)

0: without HVIL
1: with shorted HVIL
2: with HVIL

2: wire OD = 4.7 +0/-0.5mm
4: wire OD = 5.8 +0/-0.5mm

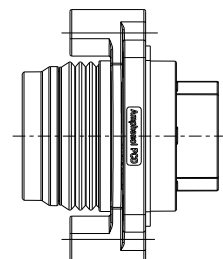
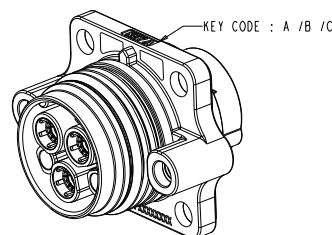


Receptacle



EX403B	02	X
--------	----	---

A: coding A (Red color)
B: coding B (Black color)
C: coding C (Yellow color)



EX 404B

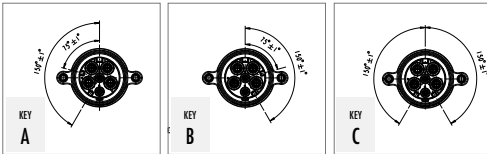
Metal housing: grey color
Contacts: copper alloy, silver plating

Specifications

Current rate (2.5mm ² shield cable):	23A@ ambient temperature 70°C
Current rate (4mm ² shield cable):	32A@ ambient temperature 70°C
Rating voltage:	1000V DC
Operating temperature:	-40 to 125°C
Dielectric withstanding voltage:	3000V AC (RMS)
Insulation resistance:	200MΩ Min.

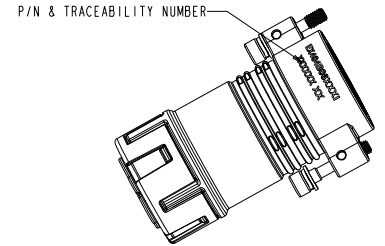
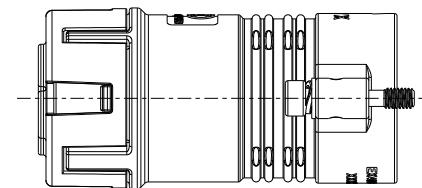
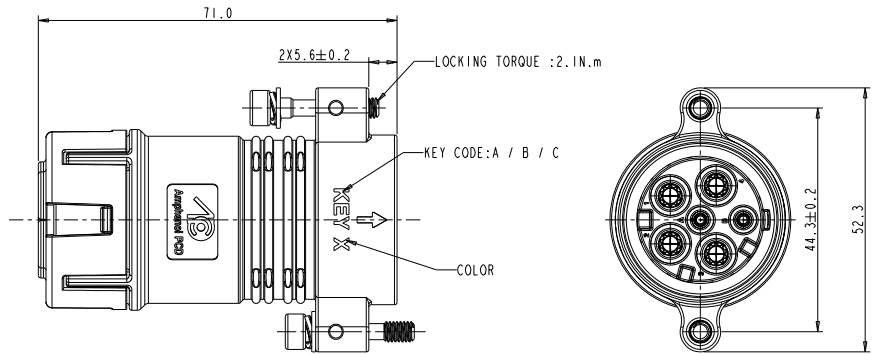
Durability:	50 cycles
Shielding:	Yes
Waterproof (mated):	IP68, IP6K9K
Touch-proof:	IP2XB
Salt Spray:	500H
Ambient temperature:	-40 to 70°C
ROHS:	Yes

Plug

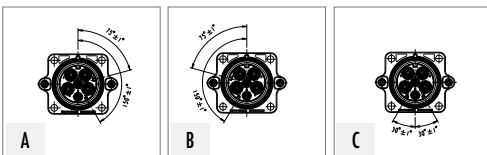
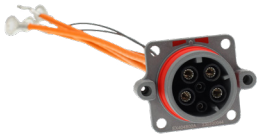


EX404B	06	X	X	XX	I
--------	----	---	---	----	---

A: coding A (Red) 0: without HVIL 2: wire OD = 4.7 +0/-0.5mm
 B: coding B (Black) 1: with shorted 4: wire OD = 5.8 +0/-0.5mm
 C: coding C (Yellow) 2: with HVIL



Receptacle



EX404B	02	X
--------	----	---

A: coding A (Red color)
 B: coding B (Black color)
 C: coding C (Yellow color)

