



Marine

- AIS
- Audio System
- Autopilot System
- Chartplotter
- Sailing Instruments
- Lighting System
- Multi-Function Display
- IP and Infrared CCTV & Cameras
- Shipyards & Cruise



Heavy Equipment

- Display
- Electronic Toll System
- Lidar & Radar
- Measurement Systems
- Telematics & Tracking
- Control System
- Camera & Monitoring
- Automotive Diagnostics
- Agriculture Electronic Equipment
- ADAS (Advanced Driver Assistance Systems)



Medical Equipment

- Medical Displays
- Non-invasive Devices



Remote Video Response Center

- CCTV / Dome / IP Camera
- Encoders
- Junction Box
- Monitoring Station
- Alarm System
- Automatic LPRS



Automotive Diagnostics

- Remote Vehicle Diagnostics



Industrial Automation

- Communication System
- Industrial Control
- Industrial Forklifts
- Industrial Network
- Industrial PC & Displays



Renewable Energy

- Communication System



Autonomous

- Central Computer
- GPS
- Lidar
- Video Cameras



Rugged IT

- Communication Devices
- Rugged Notebook
- Rugged Tablet



Railway Mass Transit

- In-entertainment Systems
- In-Vehicle Information
- Navigation / GPS
- Vehicle Monitoring
- Indication Display



UAV

- Commercial Drone
- Consumer Drone
- Military Drone



Transportation

- Bus GPS
- Vehicle Camera



Lifts & Materials Handling

- Forklift
- Industrial Lift
- Materials Handling



Test Equipment

- Floor Scales
- Heavy-duty scales
- Precision surveying



Broadband Wireless Access

- Communication System

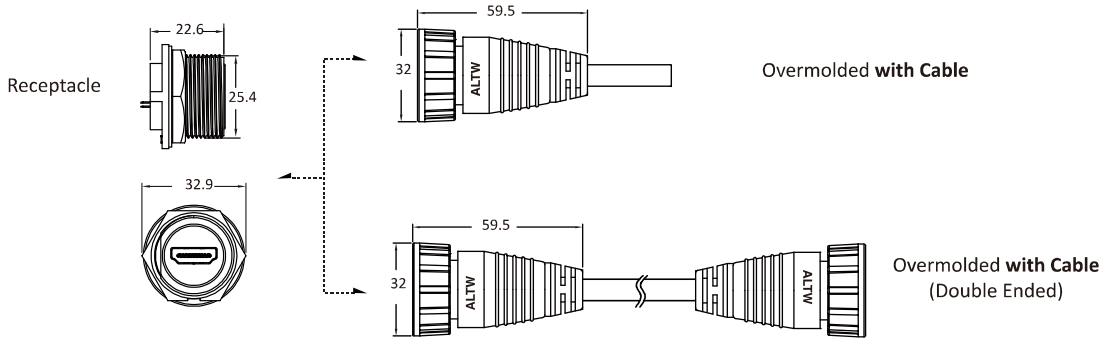
# Product Range Overview

Sub-Series Name	Circular	Rectangular	Mini-HDMI*
Mating Style	Screw Thread	Push Lock With Latch	Screw Thread
Plastic Version	✓	✓	✓
No. of Contacts	19	19	19
Plating of Contacts	Gold Plated	Gold Plated	Gold Plated
Operating Voltage (AC/DC)	30V (AC)	30V (AC)	30V (AC)
Nominal Current	0.5A	0.5A	0.5A
Operating Temperature	<ul style="list-style-type: none"> <li>• Receptacle: -20°C ~ 85°C</li> <li>• Overmolded with Cable: -20°C ~ 85°C</li> </ul>		
Fasten Style of Nut	Front	Front	Front
Receptacle	<ul style="list-style-type: none"> <li>• Nut Torque Value: 5 ~ 8 kgf.cm</li> <li>• Recommended Panel Thickness: 2mm Min. (for Rectangle Type); 4mm Max. (for Rectangle / Circular Type)</li> </ul>		
Overmolded With Cable	Cable Information: UL20276, 26AWG (0.14mm <sup>2</sup> ), PVC, Black		
Accessories	✓	✓	✓
Applicable Wire Gauge	26AWG (0.14mm <sup>2</sup> )	26AWG (0.14mm <sup>2</sup> )	30AWG (0.05mm <sup>2</sup> )
Mating Cycles (Pin Contact)	500 Cycles	500 Cycles	500 Cycles
IP Rating	<ul style="list-style-type: none"> <li>• Receptacle: IP67 (Unmated)</li> <li>• Overmolded With Cable, Field Serviceable/Installable: IP67 (Mated)</li> </ul>		
Salt Spray (Connector, Mated)	48h	48h	48h
Vibration	Frequency Range 10 ~ 55Hz Amplitude 1.52mm		
RoHS 2.0 Compliant	✓	✓	✓
REACH Compliant	✓	✓	✓

\*Upon Request

## >> Circular Type (Screw Thread)

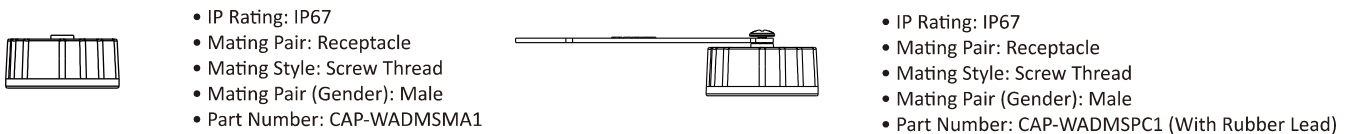
## Panel Cut Out



Receptacle IP67 (Unmated) HJ-19PMFP-SC7001 (Male Conn. Female Contact)	Mate With →	Overmolded <b>With Cable (Straight)</b> IP67 (Mated) HP-19AFMM-SL7A <b>10</b> (Female Conn. Male Contact)
		Overmolded <b>With Cable Double Ended (Straight)</b> IP67 (Mated) HP19BL-HPBL-SA <b>10</b> * (Female Conn. Male Contact)

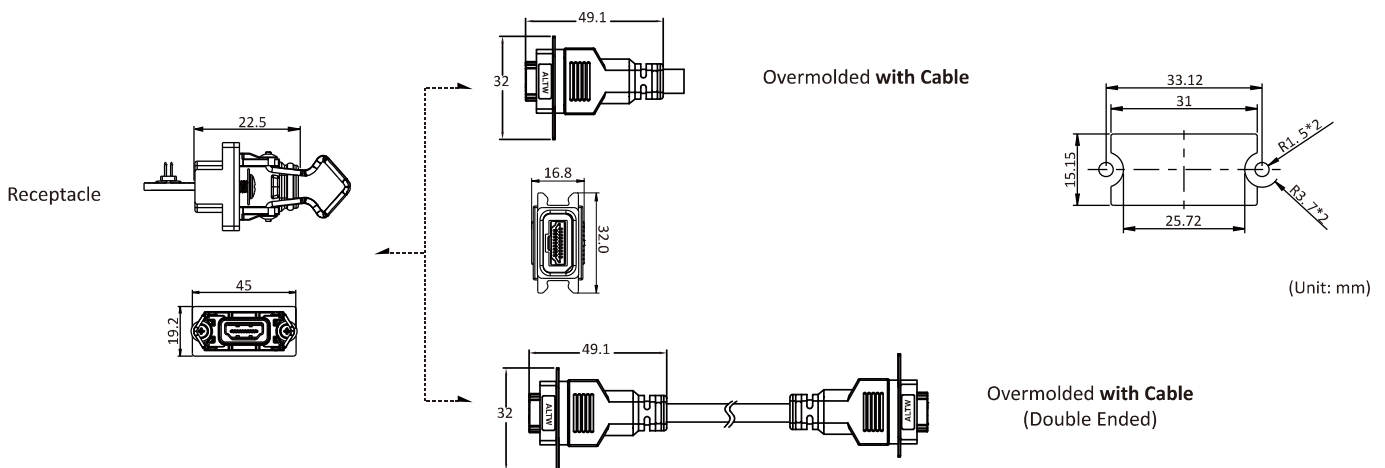
- 10** Cable Length (Single end) **(01)** 1M ~ **(05)** 5M \* Upon Request
- 10** Cable Length (Double ended) **(A05)** 0.5M, **(001)** 1M ~ **(005)** 5M

## Waterproof Cap



## >> Rectangle Type

## Panel Cut Out



Receptacle IP67 (Unmated) HJ-19PFFR-QS7001 (Female Conn. Female Contact)	Mate With →	Overmolded <b>With Cable (Straight)</b> IP67 (Mated) HP-19AMMM-QL7A <b>10</b> (Male Conn. Male Contact)
		Overmolded <b>With Cable Double Ended (Straight)</b> IP67 (Mated) HP19ML-HPML-QA <b>10</b> * (Male Conn. Male Contact)

- 10** Cable Length (Single end) **(01)** 1M ~ **(05)** 5M \* Upon Request
- 10** Cable Length (Double ended) **(A05)** 0.5M, **(001)** 1M ~ **(005)** 5M

## Waterproof Cap

