

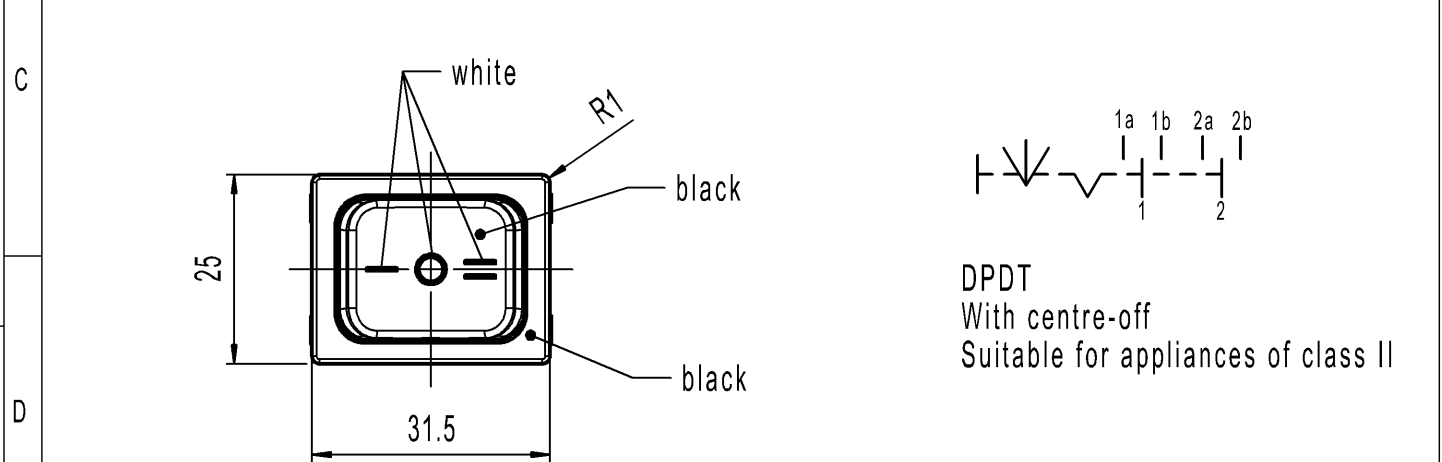
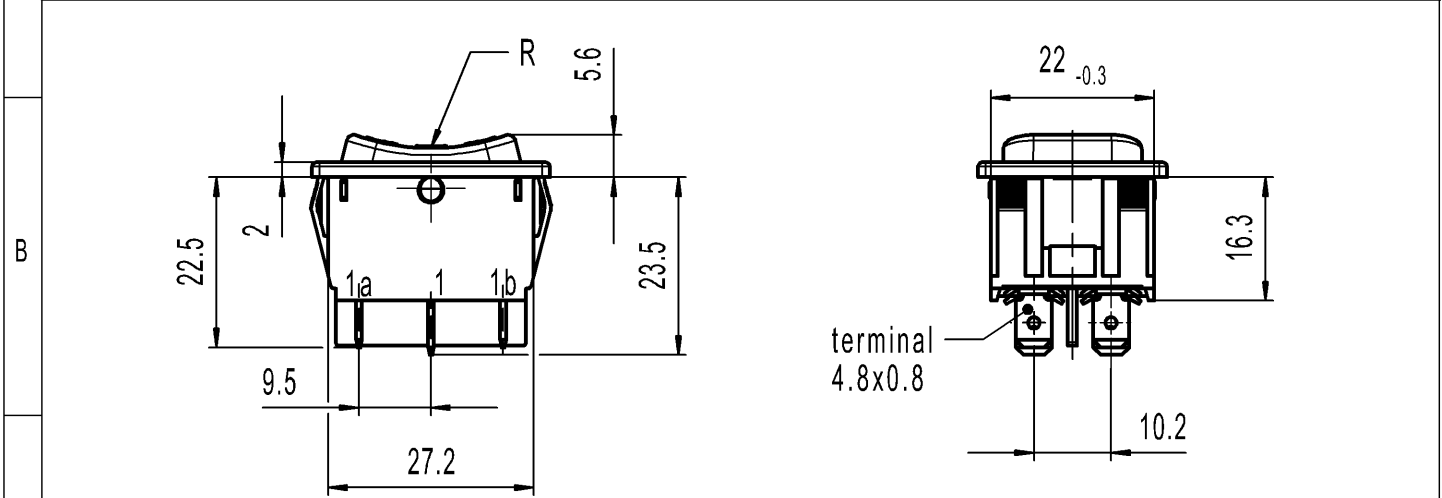
CONFIDENTIAL

VERTRAULICH

THIS DRAWING IS THE EXCLUSIVE PROPERTY OF MARQUARDT. WITHOUT THEIR CONSENT IT MAY NOT BE REPRODUCED OR GIVEN TO THIRD PARTIES.

Alle Rechte bei Marquardt, auch fuer den Fall von Schutzrechtsanmeldungen. Jede Verfertigungsbefugnis, wie Kopier- und Weitergaberecht, bei uns.

A	recommended cut-out for snap-in fixing (edge opposite to snap-in direction)	1	2	3	4
			wall thickness	length of cut-out	width of cut-out
			0.75 to 1.25	30 -0.1	22+0.2
			1.25 to 2	30.2 -0.1	22+0.2
		2 to 3	30.6 -0.1	22+0.2	

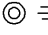
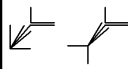



Marking

 1839.
 6(4)/250~T105/55


6A 125-250V AC
 1/8 HP
 R58 
 Code of manufacture: place/year/week



-		-		-		1839.1509-XX			
Figure		Type		Customer Part No.		Art.No.-PI			
Shape and location	Angle $\pm 2^\circ$	Length		Radii		Sheet 01	Ident. K	Document number 18391509	Index i
	Edge tolerance	0-6	± 0.2		± 0.2				
		>6-15	± 0.4		\pm	All dimensions are in millimetres	Appliance Switch		
		>15-30	± 0.4		\pm				
		>30-70	± 0.6		\pm				
			\pm		\pm				
			\pm		\pm				
			\pm		\pm				
i	141196	2022-06-14		MOHITEN		System NX V1899	 MARQUARDT		
h	64508	2009-08-20		HHE					
g	29987	2000-08-08		GRH					
f	24370	1996-11-24		GRH					
Index	MEC-No.	Date (YYYY-MM-DD)		Edited by		Replacement of Zg.gl.Nr.v.25.11.1996			