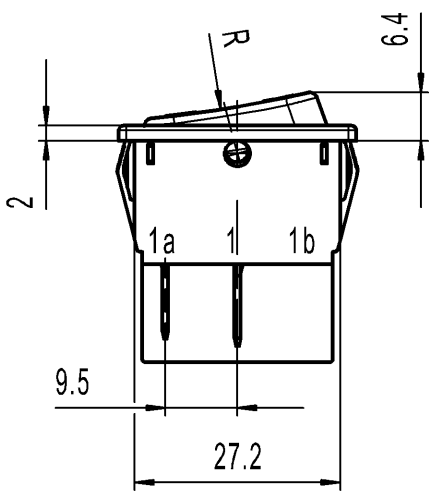
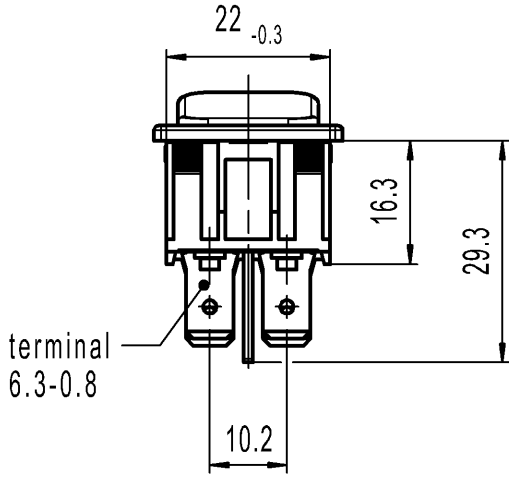
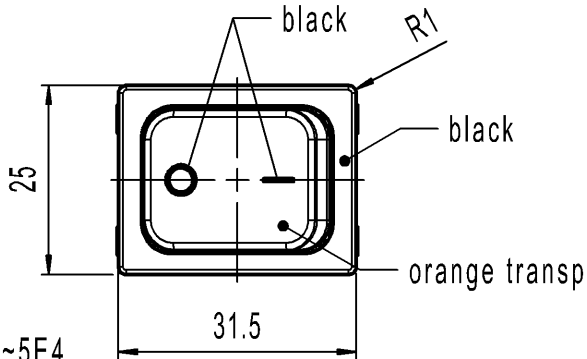
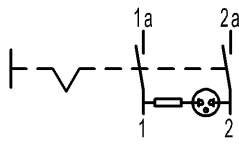


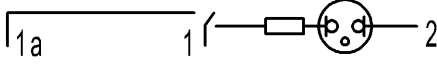
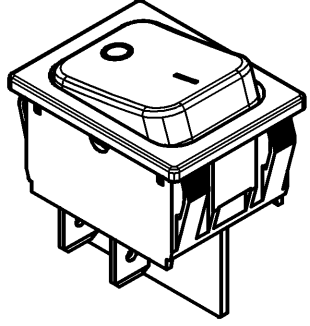


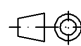

CONFIDENTIAL

VERTRAULICH

Alle Rechte bei Marquardt, auch fuer den Fall von Schutzrechtsanmeldungen. Jede Veruegungsbefugnis, wie Kopier- und Weitergaberecht, bei uns.

THIS DRAWING IS THE EXCLUSIVE PROPERTY OF MARQUARDT. WITHOUT THEIR CONSENT IT MAY NOT BE REPRODUCED OR GIVEN TO THIRD PARTIES.

	1	2	3	4	
A	recommended cut-out for snap-in fixing (edge opposite to snap-in direction)		wall thickness	length of cut-out	width of cut-out
			0.75 to 1.25	30 -0.1	22+0.2
			1.25 to 2	30.2 -0.1	22+0.2
			2 to 3	30.6 -0.1	22+0.2
B					
					
C	<p>Marking</p> <p>Ⓜ</p> <p>1835.</p> <p>10(8)/250 ~5E4</p> <p>20(4)/250 ~ T85/55</p> <p>5/120A 250V~</p> 				
D	<p>16A 250V AC</p> <p>1 HP</p> <p>R142 </p>		<p>DPST</p> <p>Neon lamp with Rv for 230V AC</p> <p>Suitable for appliance of class II</p>		
E	 <p>Code of manufacture: place/year/week</p> <p>On box: Customer Part No. see variant table</p>				

-	-	0853.7063	1835.3114-XX																																			
Figure	Type	Customer Part No.	Art.No.-PI																																			
Shape and location	Angle ± 2 °	Sheet 01																																				
	Edge tolerance	Ident. K	Document number 18353114																																			
⊙ ≡	<table border="1" style="width: 100%; border-collapse: collapse;"> <thead> <tr> <th colspan="2">Length</th> <th colspan="2">Radii</th> </tr> </thead> <tbody> <tr> <td>0-6</td> <td style="text-align: center;">± 0.2</td> <td></td> <td style="text-align: center;">± 0.2</td> </tr> <tr> <td>>6-15</td> <td style="text-align: center;">± 0.4</td> <td></td> <td style="text-align: center;">±</td> </tr> <tr> <td>>15-30</td> <td style="text-align: center;">± 0.4</td> <td></td> <td style="text-align: center;">±</td> </tr> <tr> <td>>30-70</td> <td style="text-align: center;">± 0.6</td> <td></td> <td style="text-align: center;">±</td> </tr> <tr> <td></td> <td style="text-align: center;">±</td> <td></td> <td style="text-align: center;">±</td> </tr> <tr> <td></td> <td style="text-align: center;">±</td> <td></td> <td style="text-align: center;">±</td> </tr> <tr> <td></td> <td style="text-align: center;">±</td> <td></td> <td style="text-align: center;">±</td> </tr> <tr> <td></td> <td style="text-align: center;">±</td> <td></td> <td style="text-align: center;">±</td> </tr> </tbody> </table>	Length		Radii		0-6	± 0.2		± 0.2	>6-15	± 0.4		±	>15-30	± 0.4		±	>30-70	± 0.6		±		±		±		±		±		±		±		±		±	Index i
Length		Radii																																				
0-6	± 0.2		± 0.2																																			
>6-15	± 0.4		±																																			
>15-30	± 0.4		±																																			
>30-70	± 0.6		±																																			
	±		±																																			
	±		±																																			
	±		±																																			
	±		±																																			
i	140527	2022-03-15	MOHITEN																																			
h	117433	2018-06-18	MUT																																			
g	64507	2009-10-13	HHE																																			
f	39880	2004-04-19	HHE																																			
Index	MEC-No.	Date (YYYY-MM-DD)	Edited by																																			
Format DIN A4		Projection 	Scale 1:1																																			
All dimensions are in millimetres		Appliance switch																																				
System NX V1872		Replacement of																																				
MOHITEN		 MARQUARDT																																				