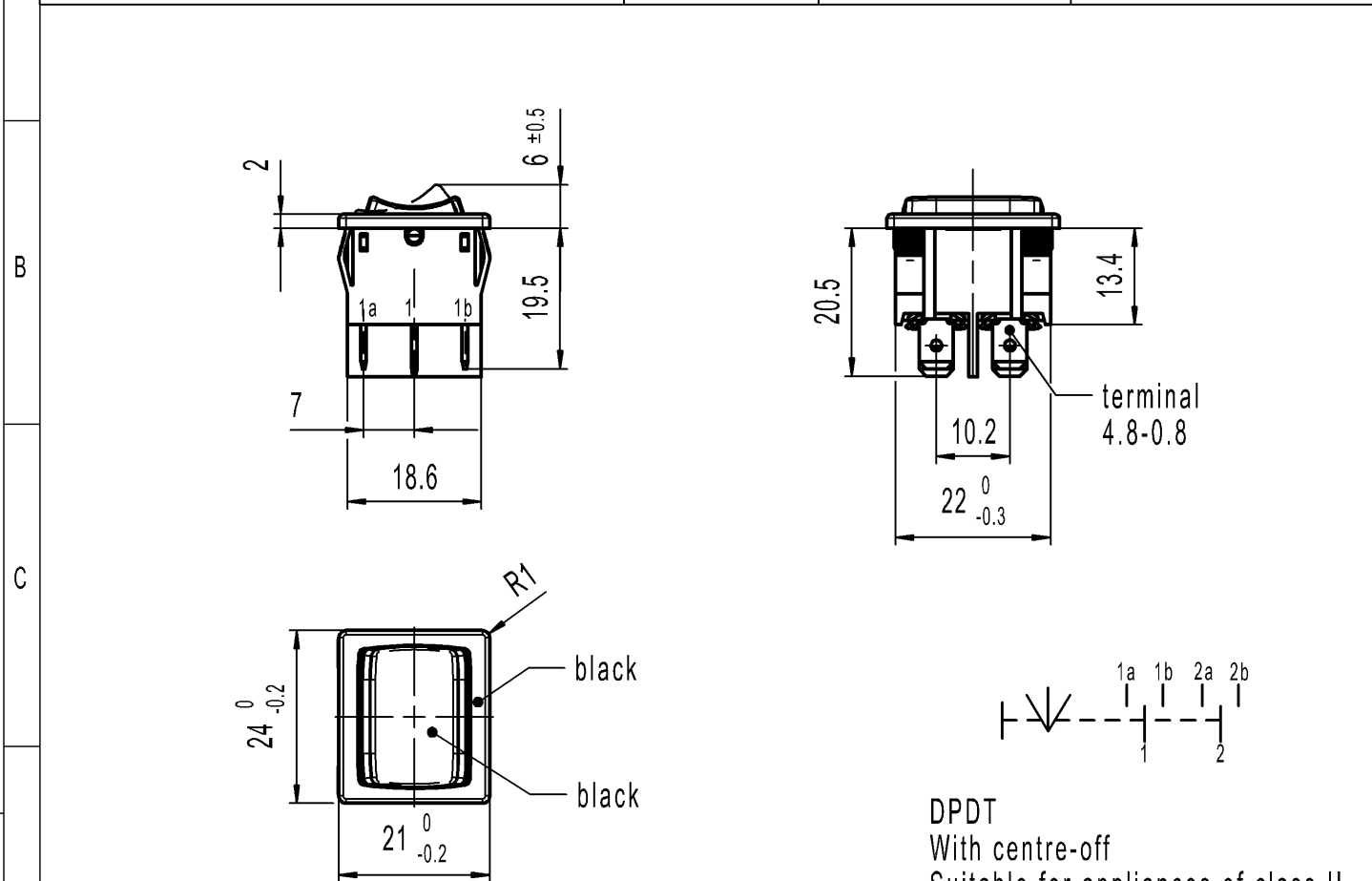


CONFIDENTIAL

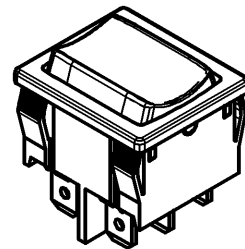
VERTRAULICH

THIS DRAWING IS THE EXCLUSIVE PROPERTY OF MARQUARDT. WITHOUT THEIR CONSENT IT MAY NOT BE REPRODUCED OR GIVEN TO THIRD PARTIES.

A	recommended cut-out for snap-in fixing (edge opposite to snap-in direction)	1	2	3	4
		0.75 to 1.25	19.2-0.1	21.9+0.1	
		1.25 to 2	19.4-0.1	21.9+0.1	
		2 to 3	19.8-0.1	21.9+0.1	



DPDT
With centre-off
Suitable for appliances of class II
Biased from both sides



Marking



1809. μ
6(2)/250~T100/55



6A 125-250V AC

1/8HP

R58

Code of manufacture: place/year/week

-	-	-	1809.1302-XX
Figure	Type	Customer Part No.	Art.No.-PI
Shape and location	Angle ± 2 °	Sheet 01	Ident. K
	Edge tolerance	Format DIN A4	Document number 18091302
	0-6 ± 0.2	Projection	Index h
	>6-15 ± 0.4	Scale 1:1	Appliance Switch
>15-30 ± 0.4	All dimensions are in millimetres		
h	137894	2022-02-22	MOHITEN
g	64492	2009-11-18	MUT
f	29394	2000-05-11	SIG
e	17260	1986-04-24	ZF
Index	MEC-No.	Date (YYYY-MM-DD)	Edited by
		System NX V1872	 MARQUARDT
		Replacement of Zg.gl.Nr.v.11.05.2000	

Alle Rechte bei Marquardt, auch fuer den Fall von Schutzrechtsanmeldungen. Jede Veruegungsbefugnis, wie Kopier- und Weitergaberecht, bei uns.