

CONFIDENTIAL

VERTRAULICH

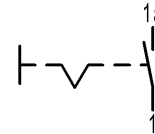
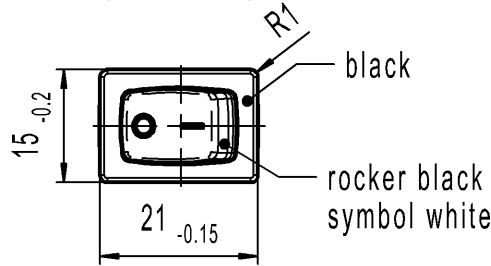
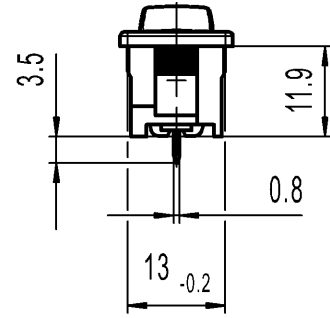
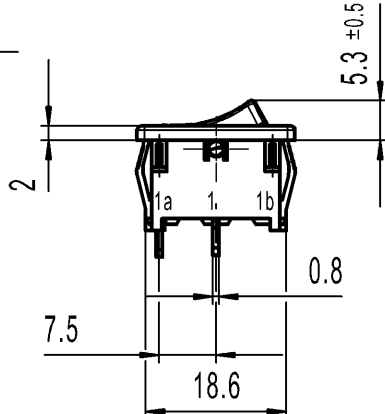
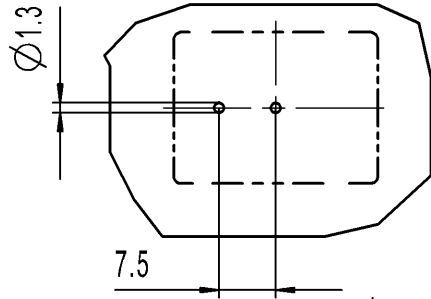
THIS DRAWING IS THE EXCLUSIVE PROPERTY OF MARQUARDT. WITHOUT THEIR CONSENT IT MAY NOT BE REPRODUCED OR GIVEN TO THIRD PARTIES.

Alle Rechte bei Marquardt, auch fuer den Fall von Schutzrechtsanmeldungen. Jede Verfertigungsbedingung, wie Kopier- und Weitergaberecht, bei uns.

Recommended terminal layout;
side of component;
tolerance as per DIN IEC 326 item 3 very fine

recommended cut-out for snap-in fixing (edge opposite to snap-in direction)

1	2	3	4
wall thickness	length of cut-out	width of cut-out	
0.75 to 1.25	19.2 -0.1	12.9+0.1	
1.25 to 2	19.4 -0.1	12.9+0.1	
2 to 3	19.8 -0.1	12.9+0.1	

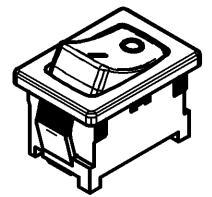


Marking

18..
 6(4)/250~ 5E4
 10(4) /250~ T100/55
 5/50A 250V~

SPST
Suitable for appliances of class II

6A 125-250V AC
 1/4 HP 125V AC
 1/2 HP 250V AC
 R 30



Code of manufacture: place/year/week

-	-	-	1801.2106-XX
Figure	Type	Customer Part No.	Art.No.-PI
Shape and location	Angle ± 2°	Sheet 01	Ident. K
	Edge tolerance	Format DIN A4	Document number 18012106
	Length	Projection	Index d
	Radii	Scale 1:1	Appliance Switch
		All dimensions are in millimetres	
d	137838	System NX V1872	 MARQUARDT
c	43724	Replacement of	
b	25088	Zg.gl.Nr.v.25.06.1997	
Index	MEC-No.	Date (YYYY-MM-DD)	