

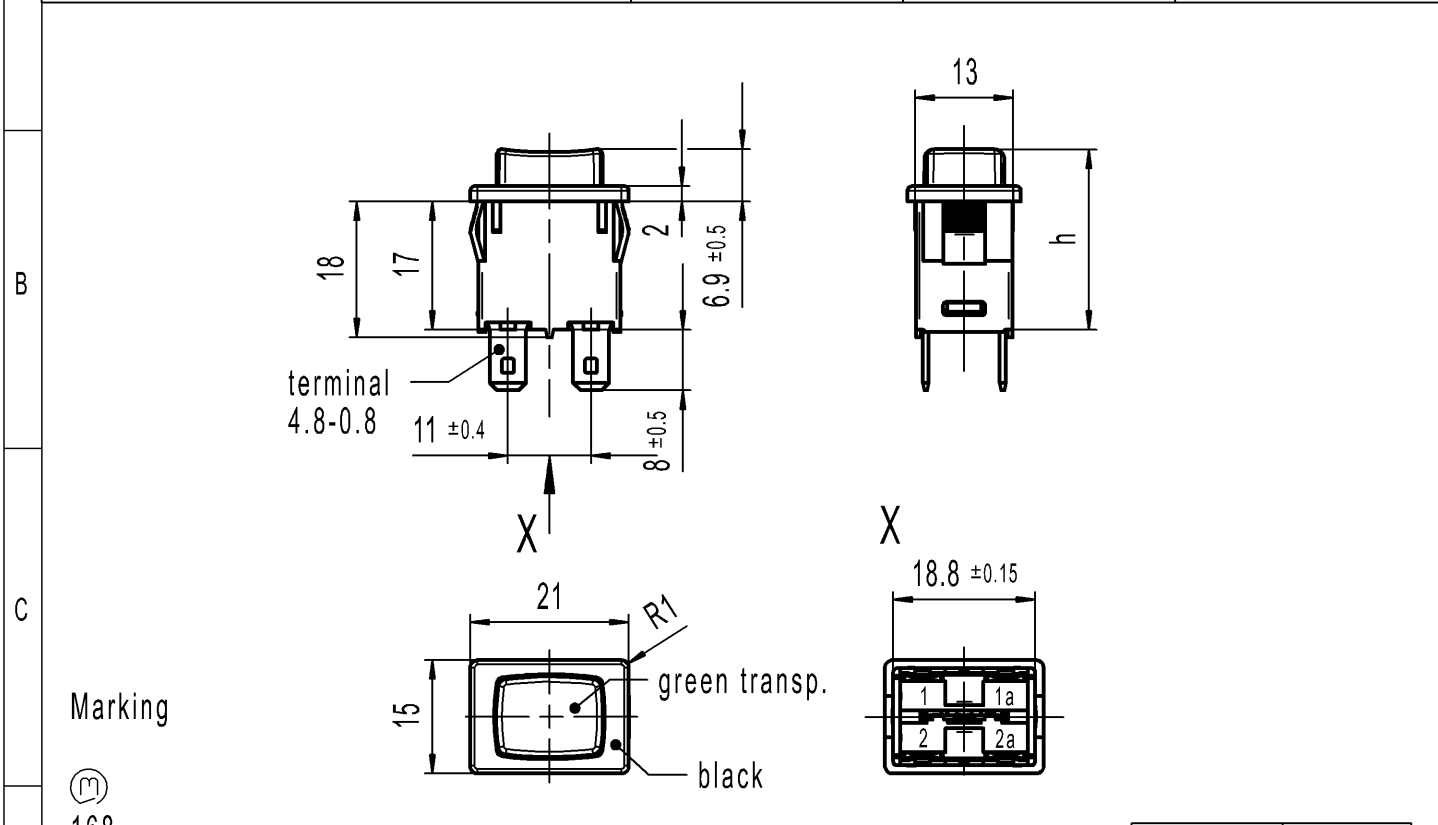
CONFIDENTIAL

VERTRAULICH

Alle Rechte bei Marquardt, auch fuer den Fall von Schutzrechtsanmeldungen. Jede Veruegungsbefugnis, wie Kopier- und Weitergaberecht, bei uns.

THIS DRAWING IS THE EXCLUSIVE PROPERTY OF MARQUARDT. WITHOUT THEIR CONSENT IT MAY NOT BE REPRODUCED OR GIVEN TO THIRD PARTIES.

A	recommended cut-out for snap-in fixing (edge opposite to snap-in direction)	1	2	3	4
		terminal	terminal	terminal	terminal
		0.75 to 1.25	1.25 to 2	2 to 3	
		19.2 -0.1	19.4 -0.1	19.8 -0.1	
		12.9+0.1	12.9+0.1	12.9+0.1	



Marking

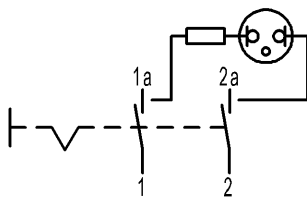
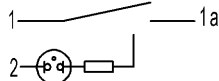


168..  
16 (4) / 250 ~  
12 (8) / 250 ~  
10 (8) / 250 ~ 5E4

T100/55



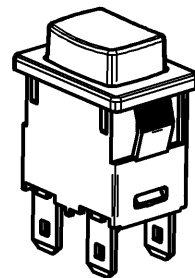
12A 125-250 VAC  
1/2 HP 125-250 VAC  
R97



DPST  
Suitable for appliances of class II  
Neon lamp with Rv for 230V AC

Code of manufacture:  
place/year/week

operating position	h
OFF	23.9
ON	20.85
block	19.7



-		-		-		1687.1104-XX			
Figure		Type		Customer Part No.		Art.No.-PI			
Shape and location	Angle ± 2°	Length		Radii		Sheet	01		
	Edge tolerance	>6-15	± 0.15	±	>6-15	± 0.2	Ident.	Document number	Index
		>15-30	± 0.25	±	>15-30	± 0.5	K	16871104	b
		>30-70	± 0.4	±	>30-70	± 10%			
		>70-120	± 0.6	±	>70-120	± 10%			
		>120-200	± 1	±	>120-200	± 10%			
			±	±		±			
			±	±		±			
All dimensions are in millimetres						Appliance Switch			
b	137026	2021-08-17		MATHPATIR		System NX V1872			
a	41382	2004-10-25		HHE		Replacement of			
	31236	2001-02-16		GRH		Zg.gl.Nr.v.16.02.2001			
Index	MEC-No.	Date (YYYY-MM-DD)		Edited by					