

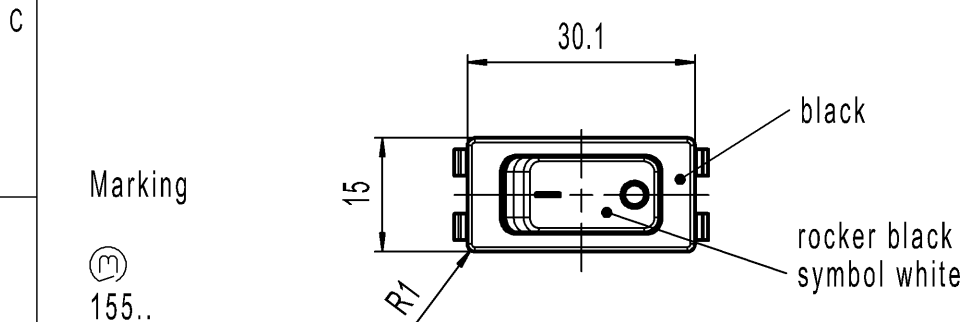
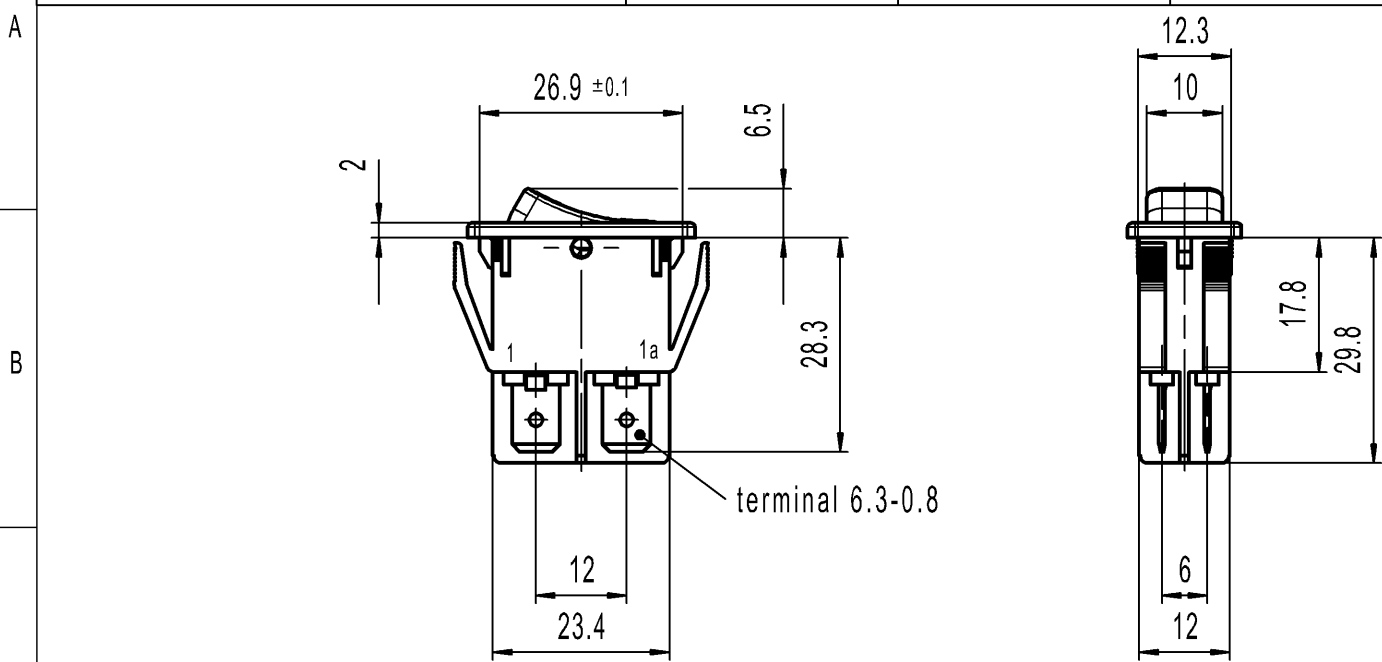
CONFIDENTIAL

VERTRAULICH

THIS DRAWING IS THE EXCLUSIVE PROPERTY OF MARQUARDT. WITHOUT THEIR CONSENT IT MAY NOT BE REPRODUCED OR GIVEN TO THIRD PARTIES.

Alle Rechte bei Marquardt, auch fuer den Fall von Schutzrechtsanmeldungen. Jede Verfertigungsbedingung, wie Kopier- und Weitergaberecht, bei uns.

1	2	3	4
recommended cut-out for snap-in fixing (edge opposite to snap-in direction)	wall thickness	length of cut-out	width of cut-out
	0.8 to 5.0	27.2 ±0.1	12.2±0.2



Marking

155..

 16 (4) / 250 ~ T100/55 T100

 10 (4) / 250 ~ 5E4

 5/100A 250V ~



16A 125-250V AC

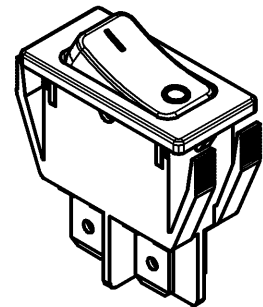
 1 HP 125V AC

 2 HP 250V AC

 R38

DPST

Suitable for appliances of class II



Code of manufacture:
place/year/week

-		-		-		1552.3102-XX			
Figure		Type		Customer No.		Art.No.-PI			
Shape and location	Angle ± 2 °	Length		Radii		Sheet 01	Ident. K	Document number 15523102	Index f
	Edge tolerance	>0-6 ± 0.2	>6-15 ± 0.4	>15-30 ± 0.4	>30-70 ± 0.6				
		>70-120 ±	>120-200 ±	±	±	±	±	±	±
f	134536	2020-10-30		MATHPATIR		Format DIN A4	Projection	Scale 1:1	All dimensions are in millimetres
e	69572	2010-09-30		HHE					
c	23635	1995-11-10		RS		System NX V11.0		1:1	Appliance Switch
b	21323	1992-04-22		MUT					
Index	MEC-No.	Date (YYYY-MM-DD)		Edited by		Replacement of Zg.gl.Nr.v.21.04.1992		 MARQUARDT	