

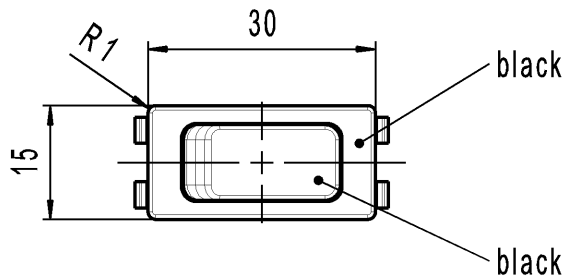
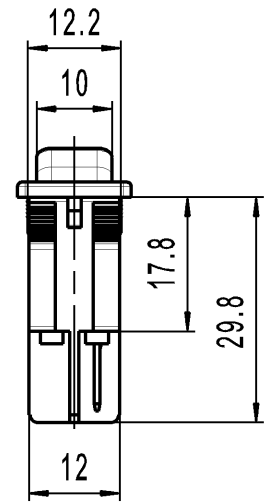
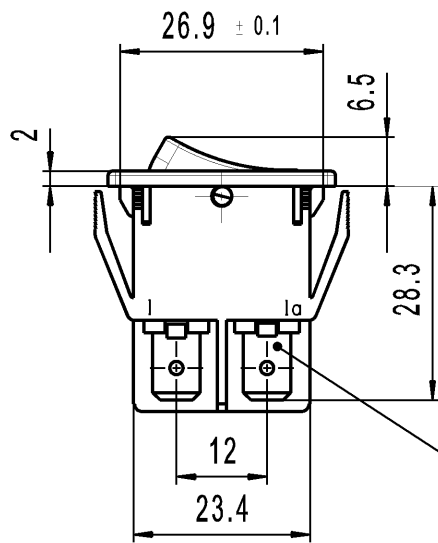
CONFIDENTIAL

VERTRAULICH

Alle Rechte bei Marquardt, auch fuer den Fall von Schutzrechtsmeldungen. Jede Veruegungsbefugnis, wie Kopier- und Weitergaberecht, bei uns.

THIS DRAWING IS THE EXCLUSIVE PROPERTY OF MARQUARDT. WITHOUT THEIR CONSENT IT MAY NOT BE REPRODUCED OR GIVEN TO THIRD PARTIES.

1	2	3	4
recommended cut-out for snap-fixing (edge opposite to snap-in direction)	wall thickness 0.8 bis/to 5.0	length of cut-out 27.2 ± 0.1	width of cut-out 12.2 ± 0.2



**Marking**



155..  
20(12) A 250 Vac  
12(12) A 250 Vac 5E4  
5/100 A 250 Vac  
T100



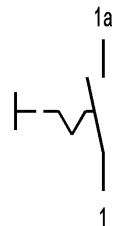
Code of manufacture:  
place/year/week

On box: G  
6.630-265.0

**SPST**

Suitable for appliances of class II

G=matching IEC 60335-1: 2001 clause 30



-	-	6.630-265.0	1551.3102-XX
Figure	Type	Customer No.	Art.No.-PI

General tolerances				Sheet 01			Ident.	Document number	Index
All dimensions are in millimetres	Shape and location 	Angle ± °	Edge tolerance 	Length	Radii		K	15513102	h
				0-6	± 0.2	± 0.2			
				>6-15	± 0.4	± 0.4			
				>15-30	± 0.4	± 0.4			
				>30-70	±	±			
>70-120	±	±	Appliance Switch						
>120	±	±							
h	117820	2018-08-13		HHE		<p><b>MARQUARDT</b></p>			
g	69572	2010-08-17		HHE					
f	50244	2007-01-23		BRC					
e	47793	2006-07-13		HHE					
Index	MEC-No.	Date (YYYY-MM-DD)		Edited by		Replacement of Zg.gl.Nr.v.21.04.92			