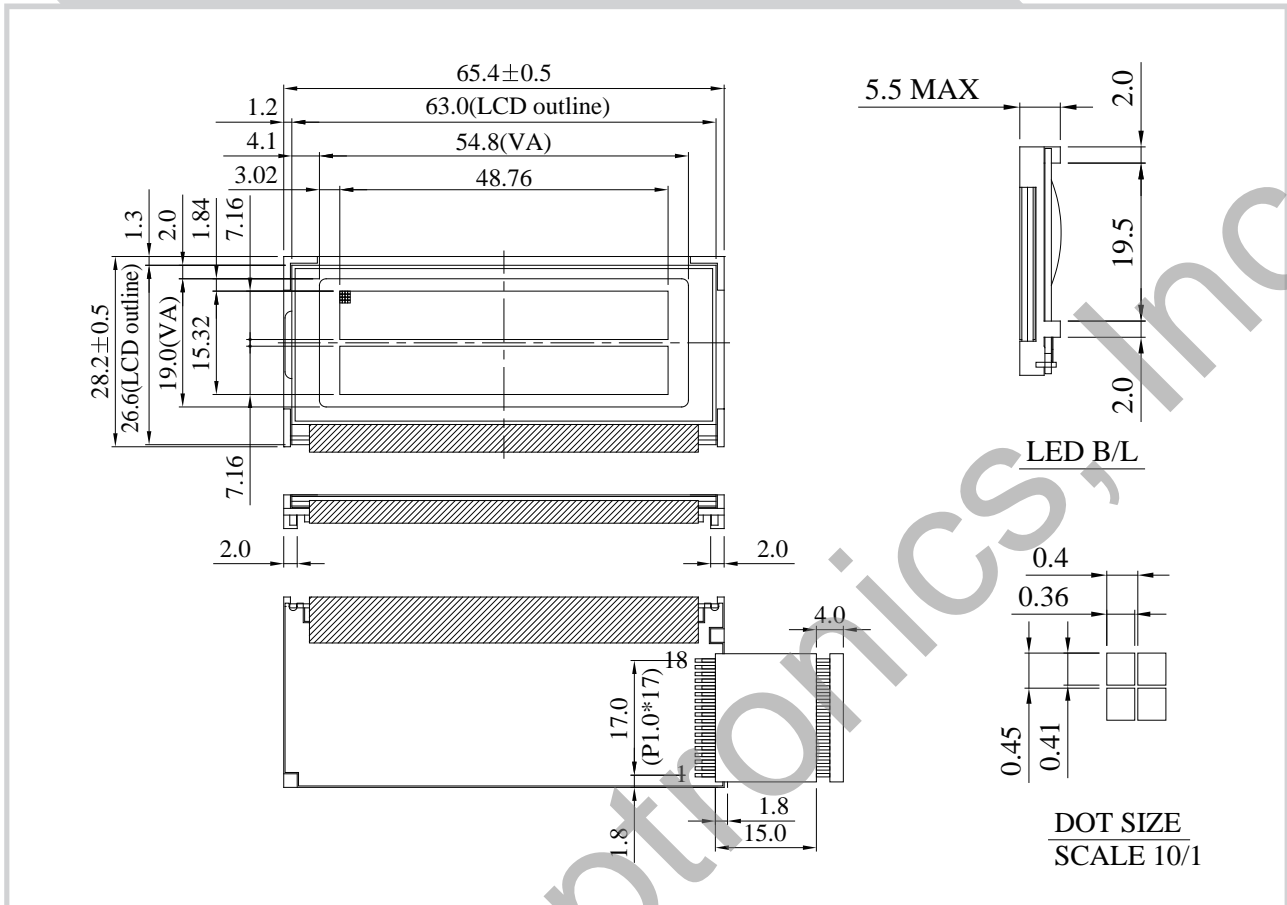


RG12232B3 Graphic 122x32 dots



Feature

1. Built-in controller ST7920 or Equivalent
2. 1/32 duty cycle
3. 5.0V power supply
4. Chinese version
5. Same size with RG12232B
6. Interface: 6800/SPI

Pin No.	Symbol	Description
1	V _{DD}	Power supply for logic
2	V _{SS}	Ground
3	V ₀	Contrast Adjustment
4	/RES	Controller reset signal, Active Low
5	E	Enable signal
6	V _{out}	Positive Voltage output
7	R/W	Read/Write select signal
8	RS	Data/ Instruction select signal
9	DB0	Data bus line
10	DB1	Data bus line
11	DB2	Data bus line
12	DB3	Data bus line
13	DB4	Data bus line
14	DB5	Data bus line
15	DB6	Data bus line
16	DB7	Data bus line
17	A	Power supply for B/L +
18	K	Power supply for B/L -

Mechanical Data

Item	Standard Value	Unit
Module Dimension	65.4 x 28.2	mm
Viewing Area	54.8 x 19.0	mm
Dot Pitch	0.40 x 0.45	mm
Dot Size	0.36 x 0.41	mm

Electrical Characteristics

Item	Symbol	Standard Value	Unit
		typ.	
Input Voltage	V _{DD}	3/5	V
Recommended LCD Driving Voltage for Normal Temp. Version module @25°C	V ₀ -V _{SS}	4.75	V