



RAYSTAR

RAYSTAR Optronics, Inc.
曜凌光電股份有限公司



曜凌光電股份有限公司 Raystar Optronics, Inc.

T: +886-4-2565-0761 | F: +886-4-2565-0760

salescontact@raystar-optronics.com | www.raystar-optronics.com

RC2002B

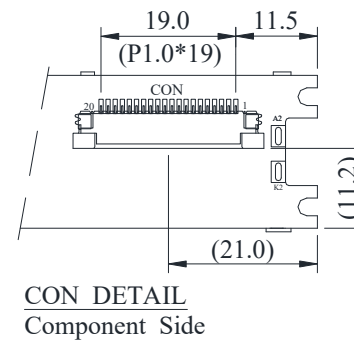
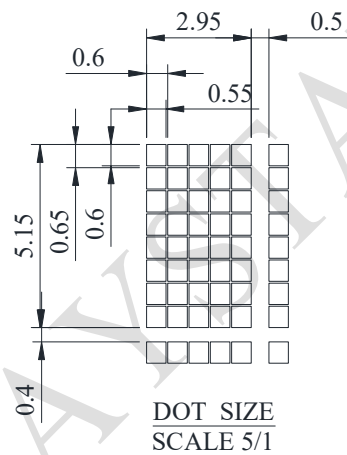
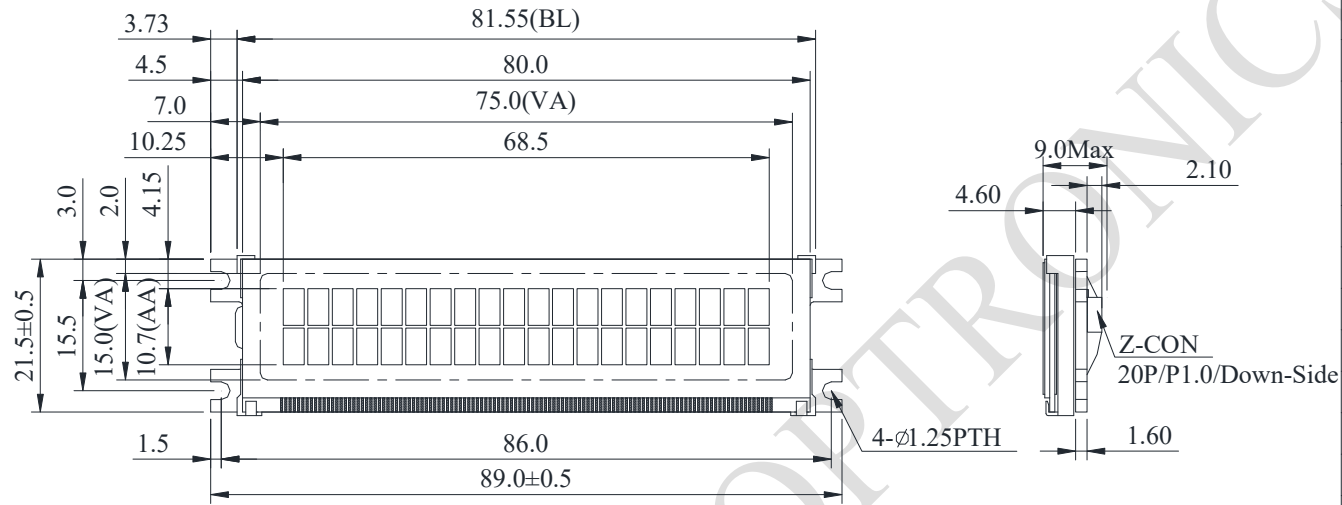
General Specification

- Module dimension: 89.0 x 21.5 x 9.0 (max.) mm
- View area: 75.0 x 15.0 mm
- Active area: 68.5 x 10.7 mm
- Number of Characters: 20 characters x 2 Lines
- Dot size: 0.55 x 0.60 mm
- Dot pitch: 0.60 x 0.65 mm
- Character size: 2.95 x 5.15 mm
- Character pitch: 3.45 x 5.55 mm
- Duty: 1/16
- Backlight Type: LED
- IC:ST7066U
- Interface:68 series

Interface Pin Function

Pin No.	Symbol	Level	Description
1	NC	—	No connection
2	NC	—	No connection
3	V _{SS}	0V	Ground
4	V _{DD}	5.0V	Supply Voltage for logic
5	VO	(Variable)	Operating voltage for LCD
6	RS	H/L	H: DATA, L: Instruction code
7	R/W	H/L	H: Read (Module --> MPU) L: Write(MPU --> Module)
8	E	H,H→L	Chip enable signal
9	DB0	H/L	Data bus line
10	DB1	H/L	Data bus line
11	DB2	H/L	Data bus line
12	DB3	H/L	Data bus line
13	DB4	H/L	Data bus line
14	DB5	H/L	Data bus line
15	DB6	H/L	Data bus line
16	DB7	H/L	Data bus line
17	VLED+	—	Power supply for LED +
18	VLED-	—	Power supply for LED —
19	NC	—	No connection
20	NC	—	No connection

Contour Drawing



PIN NO.	SYMBOL
1	NC
2	NC
3	V _{SS}
4	V _{DD}
5	V _O
6	RS
7	R/W
8	E
9	DB0
10	DB1
11	DB2
12	DB3
13	DB4
14	DB5
15	DB6
16	DB7
17	V _{LED+}
18	V _{LED-}
19	NC
20	NC

The non-specified tolerance of dimension is ±0.3mm.

Absolute Maximum Ratings

Item	Symbol	Min	Typ	Max	Unit
Operating Temperature	T_{OP}	-20	—	+70	°C
Storage Temperature	T_{ST}	-30	—	+80	°C
Input Voltage	V_I	V_{SS}	—	V_{DD}	V
Supply Voltage For Logic	$V_{DD}-V_{SS}$	-0.3	—	7	V
Supply Voltage For LCD	$V_{DD}-V_o$	-0.3	—	13	V

Electrical Characteristics

Item	Symbol	Condition	Min	Typ	Max	Unit
Supply Voltage For Logic	$V_{DD}-V_{SS}$	—	4.5	5.0	5.5	V
Supply Voltage For LCD	$V_{DD}-V_o$	$T_a=-20^{\circ}C$	—	—	5.2	V
		$T_a=25^{\circ}C$	4.1	4.2	4.3	V
		$T_a=70^{\circ}C$	3.6	—	—	V
Input High Volt.	V_{IH}	—	0.7 V_{DD}	—	V_{DD}	V
Input Low Volt.	V_{IL}	—	V_{SS}	—	0.6	V
Output High Volt.	V_{OH}	—	3.9	—	V_{DD}	V
Output Low Volt.	V_{OL}	—	0	—	0.4	V
Supply Current	I_{DD}	$V_{DD}=5.0V$	1.0	1.2	1.5	mA