



File Name	Specification For EE0750AE-1 EPD	Module Number	EE0750AE-1
Version	1.0	Page Number	1 of 17

Specification For EE0750AE-1 EPD

Model NO.: EE0750AE-1

Prepared by	Checked by	Approved by

Customer approval

Customer	Approved by	Date of Approval



File Name	Specification For EE0750AE-1 EPD	Module Number	EE0750AE-1
Version	1.0	Page Number	2 of 17

Version	Content	Date	Producer
1.0	New Release	2019/03/15	ZHP



File Name	Specification For EE0750AE-1 EPD	Module Number	EE0750AE-1
Version	1.0	Page Number	3 of 17

CONTENTS

1	General Description.....	5
2	Features.....	5
3	Application.....	5
4	Mechanical Specification.....	5
4.1	Dimension.....	5
4.2	Mechanical Drawing of EPD Module.....	6
5	Input/output Pin Assignment.....	7
6	Electrical Characteristics.....	8
6.1	Absolute Maximum Rating.....	8
6.2	Panel DC Characteristics.....	8
6.3	Panel DC Characteristics(Driver IC Internal Regulators).....	9
6.4	MCU Interface.....	10
6.4.1	MCU Interface Selection.....	10
6.4.2	MCU Serial Interface (4-wire SPI).....	10
6.4.3	MCU Serial Interface (3-wire SPI).....	11
7	Optical Specification.....	12
8	Handling, Safety, and Environment Requirements.....	12
9	Reliability Test.....	13
10	Block Diagram.....	14
11	Typical Application Circuit with SPI Interface.....	15



File Name	Specification For EE0750AE-1 EPD	Module Number	EE0750AE-1
Version	1.0	Page Number	4 of 17

12 Packaging..... 16

13 Mark and Bar Code Definition..... 17



File Name	Specification For EE0750AE-1 EPD	Module Number	EE0750AE-1
Version	1.0	Page Number	5 of 17

1 General Description

EE0700AE-1 is an Active Matrix Electrophoretic Display(AM EPD), with interface and a reference system design. The 7.5” active area contains 640x384 pixels. The module is a TFT-array driving electrophoretic display, with integrated circuits including gate buffer, source buffer, MCU interface, timing control logic, oscillator, DC-DC, SRAM, LUT, VCOM. Module can be used in portable electronic devices, such as Electronic Shelf Label (ESL) System.

2 Features

- ◆ 640×384 pixels display
- ◆ White reflectance above 30%
- ◆ Contrast ratio above 8:1
- ◆ Ultra wide viewing angle
- ◆ Ultra low power consumption
- ◆ Pure reflective mode
- ◆ Bi-stable display
- ◆ Landscape, portrait modes
- ◆ Hard-coat antiglare display surface
- ◆ Ultra Low current deep sleep mode
- ◆ On chip display RAM
- ◆ Waveform stored in SPI Flash
- ◆ Serial peripheral interface available
- ◆ On-chip oscillator
- ◆ On-chip booster and regulator control for generating VCOM, Gate and Source driving voltage
- ◆ I²C signal master interface to read external temperature sensor

3 Application

Electronic Shelf Label System

4 Mechanical Specification

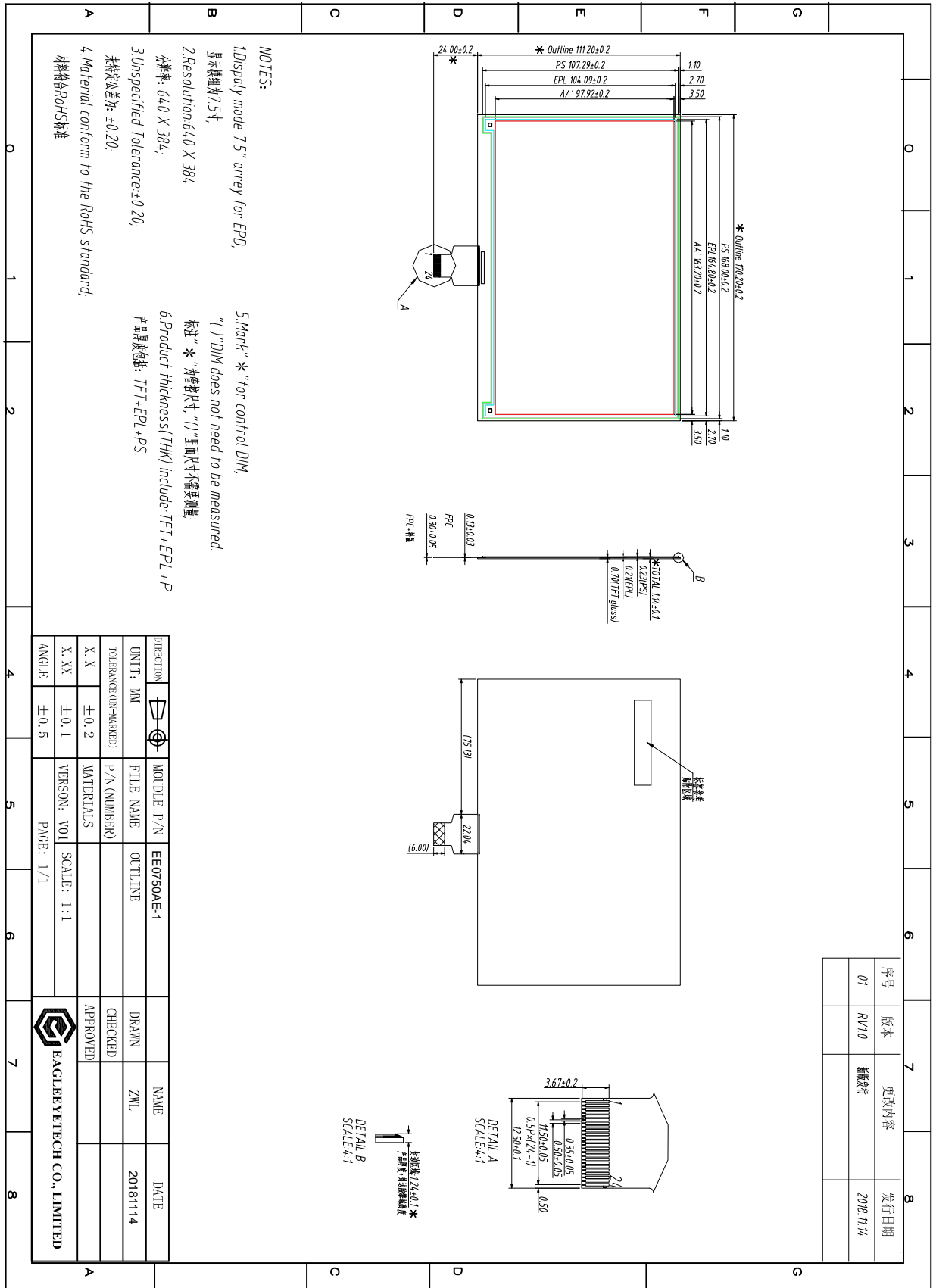
4.1 Dimension

Parameter	Specifications	Unit	Remark
Screen Size	7.5	Inch	
Display Resolution	640(H)×384(V)	Pixel	99.6DPI
Active Area	163.20×97.92	mm	
Pixel Pitch	0.255×0.255	mm	
Pixel Configuration	Square		
Outline Dimension	170.2(H)×111.2 (V) ×1.14(D)	mm	
Weight	41	g	



File Name	Specification For EE0750AE-1 EPD	Module Number	EE0750AE-1
Version	1.0	Page Number	6 of 17

4.2 Mechanical Drawing of EPD Module





File Name	Specification For EE0750AE-1 EPD	Module Number	EE0750AE-1
Version	1.0	Page Number	7 of 17

5 Input/output Pin Assignment

No.	Name	I/O	Description	Remark
1	MFCSB	I	Serial communication chip select	
2	GDR	O	N-Channel MOSFET Gate Drive Control	
3	RESE	I	Current Sense Input for the Control Loop	
4	VSL_LV		Negative Source driving voltage (-3.0V~-15.0V)	
5	VSH_LV		Positive Source driving voltage(+3.0V~+15.0V)	
6	TSCL	O	I ² C Interface to digital temperature sensor Clock pin	
7	TSDA	I/O	I ² C Interface to digital temperature sensor Data pin	
8	BS	I	Bus Interface selection pin	Note 5-4
9	BUSY	O	Busy state output pin	Note 5-3
10	RES#	I	Reset signal input. Active Low.	
11	D/C#	I	Data /Command control pin	Note 5-2
12	CS#	I	Chip select input pin	Note 5-1
13	D0	I	Serial Clock pin (SPI)	
14	D1	I	Serial Data pin (SPI)	
15	VDDIO	P	Power Supply for interface logic pins It should be connected with VCI	
16	VCI	P	Power Supply for the chip	
17	VSS	P	Ground	
18	VDD	C	Core logic power pin VDD can be regulated internally from VCI. A capacitor should be connected between VDD and VSS under all circumstances	
19	FMSDO	O	Serial communication data output	
20	VSH	C	Positive Source driving voltage	
21	VGH	C	Positive Gate driving voltage	
22	VSL	C	Negative Source driving voltage	
23	VGL	C	Negative Gate driving voltage	
24	VCOM	C	VCOM driving voltage	

I = Input Pin, O =Output Pin, I/O = Bi-directional Pin (Input/Output), P = Power Pin, C = Capacitor Pin



File Name	Specification For EE0750AE-1 EPD	Module Number	EE0750AE-1
Version	1.0	Page Number	8 of 17

Note 5-1: This pin is the chip select input connecting to the MCU. The chip is enabled for MCU communication only when CS# is pulled LOW.

Note 5-2: This pin is Data/Command control pin connecting to the MCU in 4-wire SPI mode. When the pin is pulled HIGH, the data at D1 will be interpreted as data. When the pin is pulled LOW, the data at D1 will be interpreted as command.

Note 5-3: This pin is Busy state output pin. When Busy is High, the operation of chip should not be interrupted, command should not be sent, e.g., The chip would put Busy pin High when

- Outputting display waveform
- Programming with OTP
- Communicating with digital temperature sensor

Note 5-4: Bus interface selection pin

BS1 State	MCU Interface
L	4-lines serial peripheral interface(SPI)
H	3- lines serial peripheral interface(SPI) - 9 bits SPI

6 Electrical Characteristics

6.1 Absolute Maximum Rating

Parameter	Symbol	Rating	Unit
Logic supply voltage	V_{CI}	-0.5 to +3.6	V
Logic Input voltage	V_{IN}	-0.3 to $V_{DDIO} + 0.3$	V
Logic Output voltage	V_{OUT}	-0.3 to $V_{DDIO} + 0.3$	V

Note: Maximum ratings are those values beyond which damages to the device may occur. Functional operation should be restricted to the limits in the Panel DC Characteristics tables.

6.2 Panel DC Characteristics

The following specifications apply for: $V_{SS}=0V$, $V_{CI}=3.0V$, $T_{OPR}=25^{\circ}C$.

Parameter	Symbol	Condition	Applicable pin	Min.	Typ.	Max.	Unit
Logic supply voltage	V_{CI}	-	V_{CI}	2.4	3.0	3.6	V
High level input voltage	V_{IH}	-	-	$0.8 V_{DDIO}$	-	V_{DDIO}	V
Low level input voltage	V_{IL}	-	-	GND	-	$0.2 V_{DDIO}$	V
High level output voltage	V_{OH}	$I_{OH} = -100\mu A$	-	$0.8 V_{DDIO}$	-	V_{DDIO}	V
Low level output voltage	V_{OL}	$I_{OL} = 100\mu A$	-	GND	-	$0.2 V_{DDIO}$	V
Typical power panel	P_{TYP}	-	-	-	45	240	mW
Deep sleep mode	P_{STPY}	-	-	-	6	-	uW
Typical operating current	$I_{opr_V_{CI}}$	$V_{CI} = 3.0V$	-	-	15	80	mA

File Name	Specification For EE0750AE-1 EPD			Module Number		EE0750AE-1	
Version	1.0			Page Number		9 of 17	
Sleep mode current	I_{slp_VC}	VCI=3.0V DC/DC OFF No clock No output load Ram data retain	VCI	-	20	-	uA
Deep sleep mode current	I_{dslp_VCI}	VCI=3.0V DC/DC OFF No clock No output load Ram data not retain	VCI	-	2	5	uA
Operation temperature	T_{OPR}	-	-	0	-	50	°C
Operation relative humidity	RHop	-	-	-	-	70	%RH
Operation illuminance intensity	E	indoor only	-	-	-	2000	lux
Storage temperature	TSTG	-	-	-20	-	70	°C
Storage relative humidity	RHst	-	-	30	-	60	%RH

- Notes: 1. The typical power is measured with following transition from horizontal 2 gray scale pattern to vertical 2 gray scale pattern. (Figure 6-1)
2. The deep sleep power is the consumed power when the panel controller is in deep sleep mode.
3. The listed electrical/optical characteristics are only guaranteed under the controller & waveform provided by EETECH.

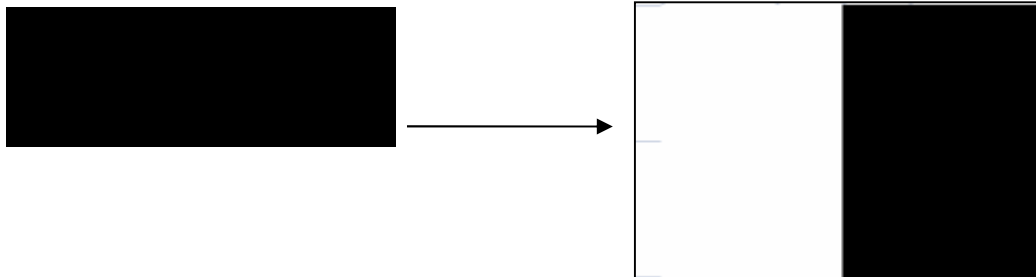


Figure 6-2 The typical power consumption measure pattern

6.3 Panel DC Characteristics(Driver IC Internal Regulators)

The following specifications apply for: VSS=0V, VCI=3.0V, T_{OPR} =25°C.

Parameter	Symbol	Condition	Applicable pin	Min.	Typ.	Max.	Unit
VCOM output voltage	VCOM	-	VCOM	-4.0	-	-0.2	V

File Name	Specification For EE0750AE-1 EPD	Module Number	EE0750AE-1
Version	1.0	Page Number	10 of 17

6.4 MCU Interface

6.4.1 MCU Interface Selection

MCU interface consist of 2 data/command pins and 3 control pins. The pin assignment at different interface mode is summarized in Table 6-4-1. Different MCU mode can be set by hardware selection on BS1 pins. The display panel only supports 4-wire SPI or 3-wire SPI interface mode.

Pin Name	Data/Connnand Interface		Control Signal		
	D1	D0	CS#	D/C#	RES#
4-wire SPI	SDIN	SCLK	CS#	D/C#	RES#
3-wire SPI	SDIN	SCLK	CS#	L	RES#

Table 6-4-1: MCU interface assignment under different bus interface mode

6.4.2 MCU Serial Interface (4-wire SPI)

The serial interface consists of serial clock SCLK, serial data SDIN, D/C#, CS#. In 4-wire SPI mode, D0 acts as SCLK, D1 acts as SDIN.

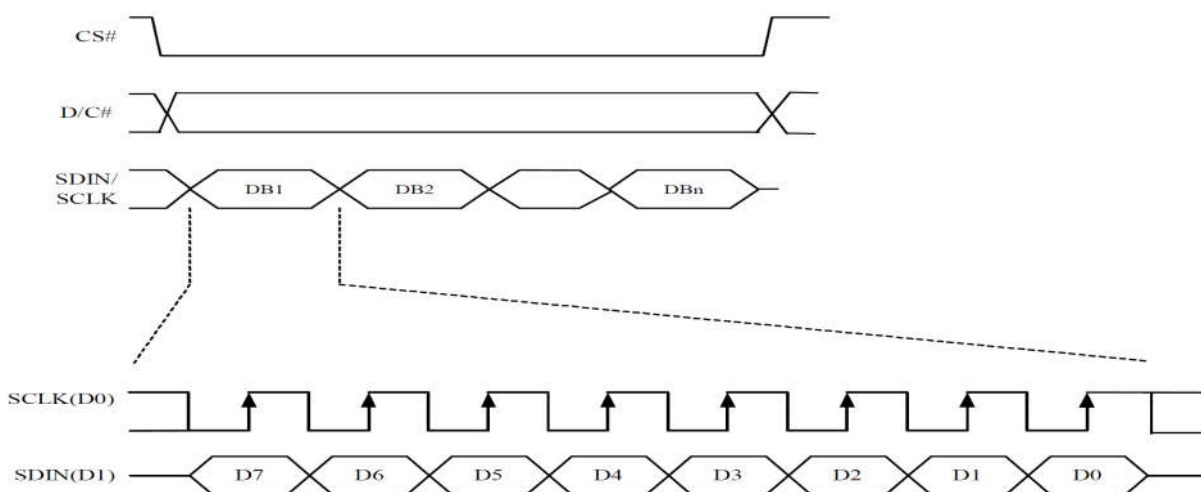
Function	CS#	D/C#	SCLK
Write command	L	L	↑
Write data	L	H	↑

Note: ↑ stands for rising edge of signal

Table 6-4-2: Control pins of 4-wire Serial interface

SDIN is shifted into an 8-bit shift register on every rising edge of SCLK in the order of D7, D6, ... D0. D/C# is sampled on every eighth clock and the data byte in the shift register is written to the Graphic Display Data RAM (RAM) or command register in the same clock.

Under serial mode, only write operations are allowed.



File Name	Specification For EE0750AE-1 EPD	Module Number	EE0750AE-1
Version	1.0	Page Number	11 of 17

Figure 6-4-2: Write procedure in 4-wire SPI mode

6.4.3 MCU Serial Interface (3-wire SPI)

The 3-wire serial interface consists of serial clock SCLK, serial data SDIN and CS#. In 3-wire SPI mode, D0 acts as SCLK, D1 acts as SDIN.

The operation is similar to 4-wire serial interface while D/C# pin is not used. There are altogether 9-bits will be shifted into the shift register on every ninth clock in sequence: D/C# bit, D7 to D0 bit. The D/C# bit (first bit of the sequential data) will determine the following data byte in the shift register is written to the Display Data RAM (D/C# bit = 1) or the command register (D/C# bit = 0).

Under serial mode, only write operations are allowed.

Function	CS#	D/C#	SCLK
Write command	L	Tie LOW	↑
Write data	L	Tie LOW	↑

Note: ↑ stands for rising edge of signal

Table 6-4-3: Control pins of 3-wire Serial interface

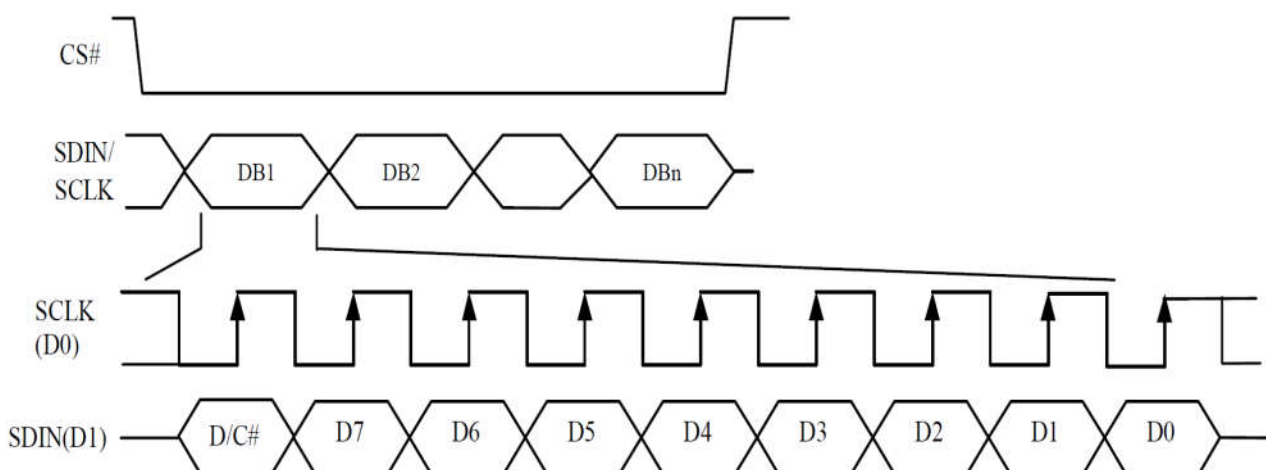


Figure 6-4-3: Write procedure in 3-wire SPI mode



File Name	Specification For EE0750AE-1 EPD	Module Number	EE0750AE-1
Version	1.0	Page Number	12 of 17

7 Optical Specification

Symbol	Parameter	Conditions	Values			Units	Notes
			Min.	Typ.	Max		
R	White Reflectivity	White	30	35	-	%	7-1
CR	Contrast Ratio		8:1	10:1	-	-	7-2
White Δ L 24h	Reduce		-	≤ 4	-	-	-
T _{update}	Image update time	at 25 °C	-	2500	-	ms	-

Notes: 7-1. Luminance meter: Eye-One Pro Spectrophotometer.

7-2. CR=Surface Reflectance with all white pixel/Surface Reflectance with all black pixels.

8 Handling, Safety, and Environment Requirements

Warning

The display glass may break when it is dropped or bumped on a hard surface. Handle with care. Should the display break, do not touch the electrophoretic material. In case of contact with electrophoretic material, wash with water and soap.

Caution

The display module should not be exposed to harmful gases, such as acid and alkali gases, which corrode electronic components. Disassembling the display module.

Disassembling the display module can cause permanent damage and invalidates the warranty agreements.

Observe general precautions that are common to handling delicate electronic components. The glass can break and front surfaces can easily be damaged. Moreover the display is sensitive to static electricity and other rough environmental conditions.



File Name	Specification For EE0750AE-1 EPD	Module Number	EE0750AE-1
Version	1.0	Page Number	13 of 17

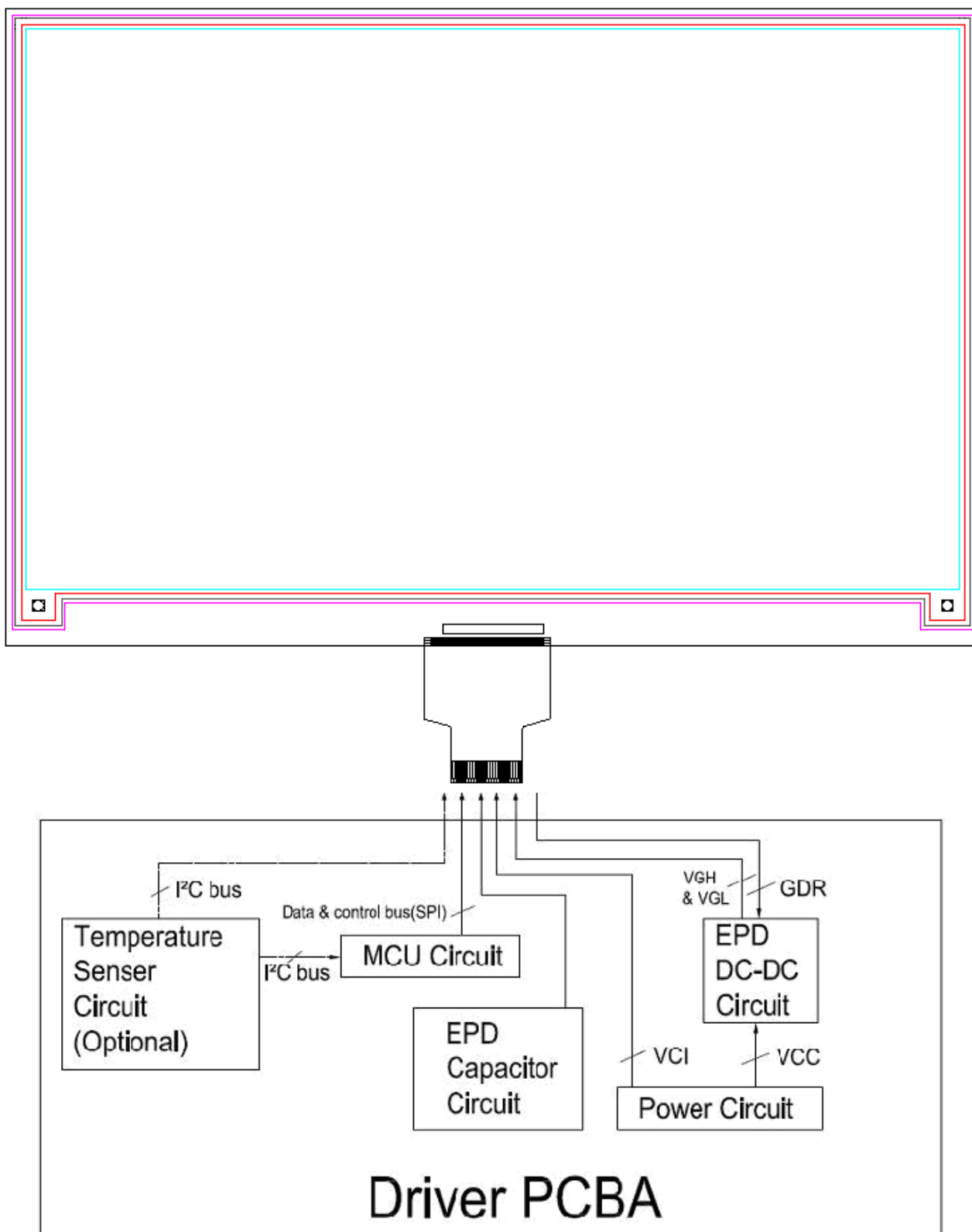
9 Reliability Test

No.	Test	Condition	Method	Remark
1	Low-Temperature Operation	T = 0°C for 168 hrs	IEC 60 068-2-2Ab	At the end of the test, electrical, mechanical, and optical specifications shall be satisfied.
2	High-Temperature Storage	T = +70°C, RH=23% for 168 hrs	IEC 60 068-2-2Bp	At the end of the test, electrical, mechanical, and optical specifications shall be satisfied.
3	Low-Temperature Storage	T = -25°C for 168 hrs	IEC 60 068-2-1Ab	At the end of the test, electrical, mechanical, and optical specifications shall be satisfied.
4	High-Temperature, High-Humidity Operation	T = +40°C, RH = 90% for 168 hrs	IEC 60 068-2-3CA	At the end of the test, electrical, mechanical, and optical specifications shall be satisfied.
5	High Temperature, High-Humidity Storage	T = +60°C, RH=80% for 168hrs	IEC 60 068-2-3CA	At the end of the test, electrical, mechanical, and optical specifications shall be satisfied.
6	Thermal Shock	1 cycle:[-25°C 30min]→[+70 °C 30 min] : 50 cycles	IEC 60 068-2-14	At the end of the test, electrical, mechanical, and optical specifications shall be satisfied.
7	Package Vibration	1.04G, Frequency: 10~500Hz Direction: X,Y,Z Duration: 1 hours in each direction	Full packed for shipment	At the end of the test, electrical, mechanical, and optical specifications shall be satisfied.
8	Package Drop Impact	Drop from height of 122 cm on concrete surface. Drop sequence: 1 corner, 3edges, 6 faces One drop for each	Full packed for shipment	At the end of the test, electrical, mechanical, and optical specifications shall be satisfied.
9	Electrostatic Effect (non-operating)	Machine model +/- 250V, 0Ω, 200pF	IEC 62179, IEC 62180	At the end of the test, electrical, mechanical, and optical specifications shall be satisfied.



File Name	Specification For EE0750AE-1 EPD	Module Number	EE0750AE-1
Version	1.0	Page Number	14 of 17

10 Block Diagram





File Name	Specification For EE0750AE-1 EPD	Module Number	EE0750AE-1
Version	1.0	Page Number	15 of 17

11 Typical Application Circuit with SPI Interface

TBD



File Name	Specification For EE0750AE-1 EPD	Module Number	EE0750AE-1
Version	1.0	Page Number	16 of 17

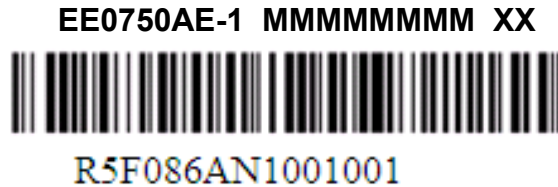
12 Packaging

TBD



File Name	Specification For EE0750AE-1 EPD	Module Number	EE0750AE-1
Version	1.0	Page Number	17 of 17

13 Mark and Bar Code Definition



- (A) EE0750AE-1: Module No.
- (B) MMMMMMMM: Product date year month day
- (C) XX: Internal Code
- (D) Bar Code definition

R5F086 A N1 001 001
(1) (2) (3) (4) (5)

- (1) O-Paper Film LOT
- (2) Factory
- (3) Internal Code
- (4) Product LOT
- (5) Product Serial Number